



60 x 60mm

Features :

- 6 digits for Time Display, 2 digits for Step No.
- 50 ON - OFF Steps Per Day
- Indications
 - Auto Manual
 - Holiday
 - Relay Status
 - Day Of Week
 - Programming Mode
- 10 Years Power Reserve (Lithium Battery)

Certification : **CE**

Display Specifications

| | |
|------------------------------|--|
| Display | Text LCD (Without Backlight) 6 digits for time display, 2 digits for step no. |
| Character Height | 5.07mm (HH : MM) and 3.39mm (SS) |
| Indications (Through symbol) | Auto Manual, Holiday, Relay status, Day of week, Programming mode |

Output Specifications

| | |
|----------------|---------------|
| No. of Output | 1 |
| Relay Contact | 1NO & Neutral |
| Contact Rating | 20A @ 250V AC |

Functional Specifications

| | |
|----------------------|---|
| Operation Period | 1 week |
| Weekly Program | Total 50 ON Steps and 50 OFF Steps 2 Programs x 25 Steps 3 Programs x 16 Steps 4 Programs x 12 Steps 5 Programs x 10 Steps 6 Programs x 08 Steps 7 Programs x 07 Steps 8 Programs x 06 Steps |
| Minimum setting unit | 1 second |
| Holiday Settings | 16 dates |
| Clock | 12 - hr (AM / PM) and 24 - hr selection |
| Relay Operating Mode | Auto / Permanent Override ON / Permanent Override OFF |
| RTC accuracy | 15 mins a year@25°C |

Auxiliary Supply Specifications

| | |
|-------------------|----------------------------|
| Supply Voltage | 230V AC ±10%, (50 / 60 Hz) |
| Power Consumption | Approx. 9 Watts at 252 VAC |

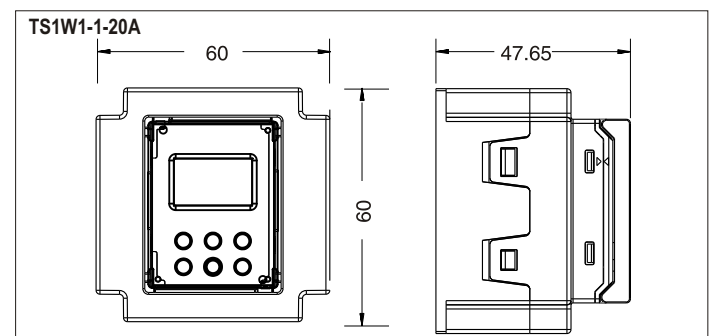
Environmental Specifications

| | |
|-----------------------------|---|
| Temperature | Operating : 0 to 50° C Storage : -20 to 70°C |
| Humidity (non - condensing) | Upto 95% RH |

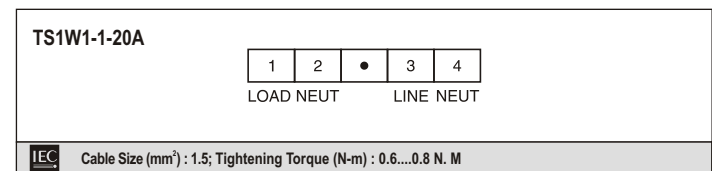
Mechanical Specifications

| | |
|----------|------------|
| Mounting | Wall Mount |
| Weight | 100gms |

Dimensions



Terminal Connections



Compliance

| Applicable EMI / EMC Standards | | |
|-----------------------------------|---------------------|---------------|
| Product Standard | | |
| Category | Reference Standards | Testing Level |
| Electrostatic Discharge | IEC 61000-4-2 | Level-3 |
| Electrical Fast Transient / Burst | IEC 61000-4-4 | Level-3 |
| Electromagnetic Field | IEC 61000-4-3 | Level-3 |
| Surge | IEC 61000-4-5 | Level-3 |
| Conducted RF | IEC 61000-4-6 | Level-2 |
| Rated Power Frequency | IEC 61000-4-8 | Level-4 |
| Voltage Dip / Short Interruptions | IEC 61000-4-11 | Level-3 |
| Conducted Emissions | CISPR-11 | Class-B |
| Rated Emissions | CISPR-22 | Class-A |
| Emission & Immunity | IEC 61326-1 | |
| Safety | IEC 61010-1 | |
| PFMF (Passing criteria) | IEC 61000-4-8 | Class A |

Ordering Information

| Product Code | Supply Voltage | Certification |
|---------------------|----------------|---------------|
| TS1W1-1-20A-230V-CE | 230V AC | CE |