

1 Phase Solar On Grid Inverter

GTI 3.3kW



Features :

- Max. efficiency : 97.6%, MPPT efficiency : >99.5
- Single independent MPP trackers
- Anti-Islanding protection
- IP65 protection
- Wide voltage range & low startup voltage
- Remote monitoring and intelligent maintenance
- Natural cooling convection

Main

Product name	GTI
Product or component type	Grid Tie Inverter

Input Specification

DC Input (PV Side)	
Nominal DC Input Power	3300 W
Max. Allowable PV Power	4200 W
Nominal PV voltage	360V DC
Max. DC input voltage	550V DC
Startup voltage	80V DC
Operating Range	65 - 550V DC
MPPT voltage Range	65 - 550V DC
Max input current per MPPT	13A
No. of MPP trackers	1
Max. Input strings number	1
Max. PV short circuit current per MPPT (Isc)	16A

Output specifications

AC output (Grid side)	
Rated output power	3300 W
Max. output power	3300 W
Nominal AC current, RMS	13.75A
Max. output current	16A
Grid voltage range	180 - 280
Grid frequency range	50/60 Hz (45-55Hz/ 55-65Hz)
Power factor (at rated output power)	~ 1 (Adjustable from 0.8 leading... 0.8 lagging)
Total harmonic distortion [THDi]	<3% at rated
load Feed-in phase/connection phase	Single Phase

Interface

DC Connection	MC4 Connectors
Display	LCD with LED indication
Datalogger & Communication	RS485 / Wifi* / GSM* (Optional)

Efficiency

Maximum efficiency	97.40%
MPPT efficiency	>99.5
Euro efficiency	97.1

Protection functions

DC Reverse polarity protection	Yes
Short circuit protection	Yes
Over current protection	Yes
Over voltage / Under voltage protection	Yes
Over frequency / Under frequency	Yes
Insulation resistance monitoring	Yes
Over voltage / Under voltage	Yes
Residual current detection	Yes
Surge protection	Yes
Islanding protection	Yes
Temperature protection	Yes
Integrated DC Switch	Yes
Integrated AFCI (DC arc-fault circuit protection)	Optional

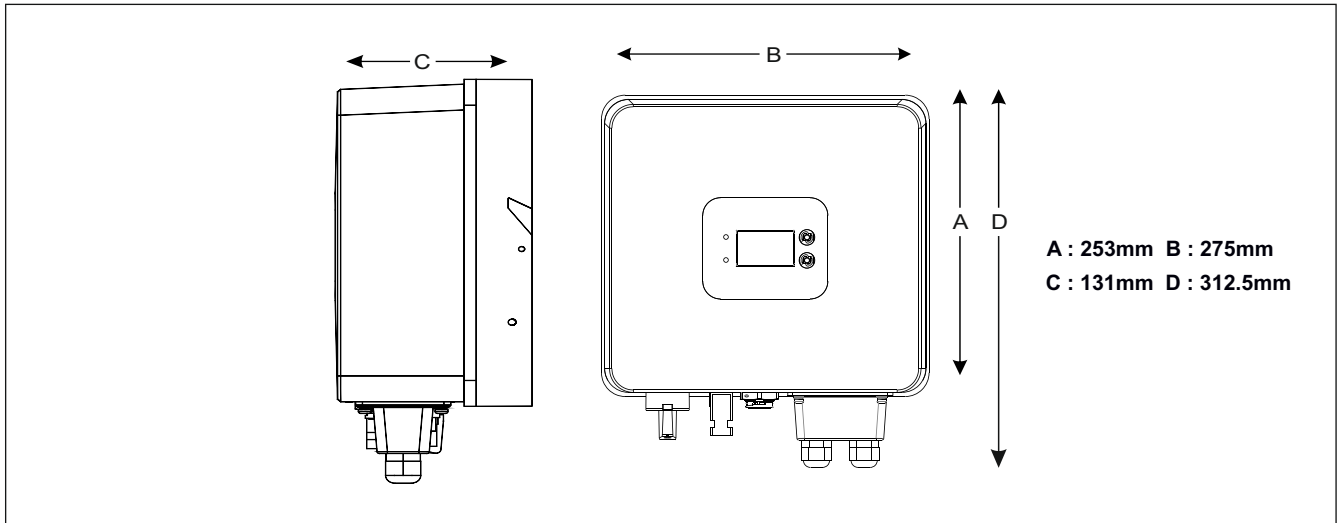
General data

Topology	Transformerless
Consumption @ night	<0.5W
Operating temperature range	-25 to 60°C
Cooling method	Natural
Relative humidity	0 to 100% non condensing
Max. Operational altitude	4000m
Noise	<25 dBA
Designed lifetime	>20 years
Warranty	7 years
Ingress protection	IP65
Dimensions (W*H*D)	275*313*131 mm
Net weight	5.2 kg (Approx)
Mechanical integration	Wall mountable

Standards

Certifications	IS 16221-1 /2, IS 16169
----------------	-------------------------

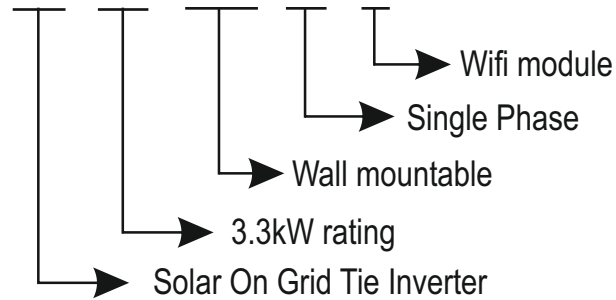
Dimensions (All are in mm)



Ordering Information

Product Code	Description
GTI003WLM1PW	Grid Tie Inverter - 1 Phase / 3.3kW, Wall Mounted With Wifi Module

GTI - 003 - WLM - 1P - W



Selec Controls Pvt. Ltd.

EL-27/1, Electronic Zone, TTC Industrial Area, MIDC,
Mahape, Navi Mumbai 400 710, INDIA
Tel.: +91-22-4141 8468 / 452. Email: sales@selec.com

Selec Subsidiaries:

Selec USA: www.selec.com/us/en

Selec GmbH: www.selec-europe.com

Selec Australia: www.selec.com/au/en

www.selec.com

