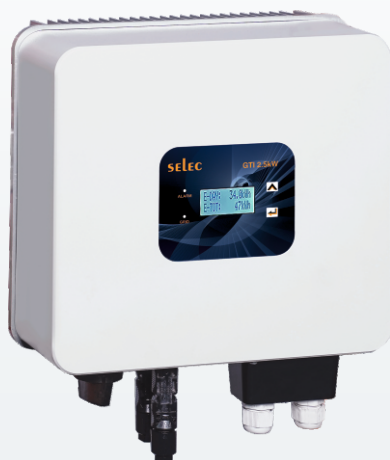


# 1 Phase Solar On Grid Inverter

## GTI 2.5 kW



### Features :

- Max. efficiency : 97.6%, MPPT efficiency : >99.5
- Single independent MPP trackers
- Anti-Islanding protection
- IP65 protection
- Wide voltage range & low startup voltage
- Remote monitoring and intelligent maintenance
- Natural cooling convection

### Main

Product name	GTI
Product or component type	Grid Tie Inverter

### Input Specification

<b>DC Input (PV Side)</b>	
Nominal DC Input Power	2500 W
Max. Allowable PV Power	3500 W
Nominal PV voltage	360V DC
Max. DC input voltage	550V DC
Startup voltage	80V DC
Operating Range	65 - 550V DC
MPPT voltage Range	65 - 550V DC
Max input current per MPPT	13A
No. of MPP trackers	1
Max. Input strings number	1
Max. PV short circuit current per MPPT (Isc)	16A

### Output specifications

<b>AC output (Grid side)</b>	
Rated output power	2500 W
Max. output power	2500 W
Nominal AC current, RMS	10.4 A
Max. output current	11.9 A
Grid voltage range	180 - 280
Grid frequency range	50/60 Hz (45-55Hz/ 55-65Hz)
Power factor (at rated output power)	~ 1 (Adjustable from 0.8 leading... 0.8 lagging)
Total harmonic distortion [THDi]	<3% at rated
load Feed-in phase/connection phase	Single Phase

### Interface

DC Connection	MC4 Connectors
Display	LCD with LED indication
Datalogger & Communication	RS485 / Wifi* / GSM* (Optional)

### Efficiency

Maximum efficiency (%)	97.4
MPPT efficiency (%)	>99.9
Euro efficiency (%)	97.1

### Protection functions

DC Reverse polarity protection	Yes
Short circuit protection	Yes
Over current protection	Yes
Over voltage / Under voltage protection	Yes
Over frequency / Under frequency	Yes
Insulation resistance monitoring	Yes
Over voltage / Under voltage	Yes
Residual current detection	Yes
Surge protection	Yes
Islanding protection	Yes
Temperature protection	Yes
Integrated DC Switch	Yes
Integrated AFCI (DC arc-fault circuit protection)	Optional

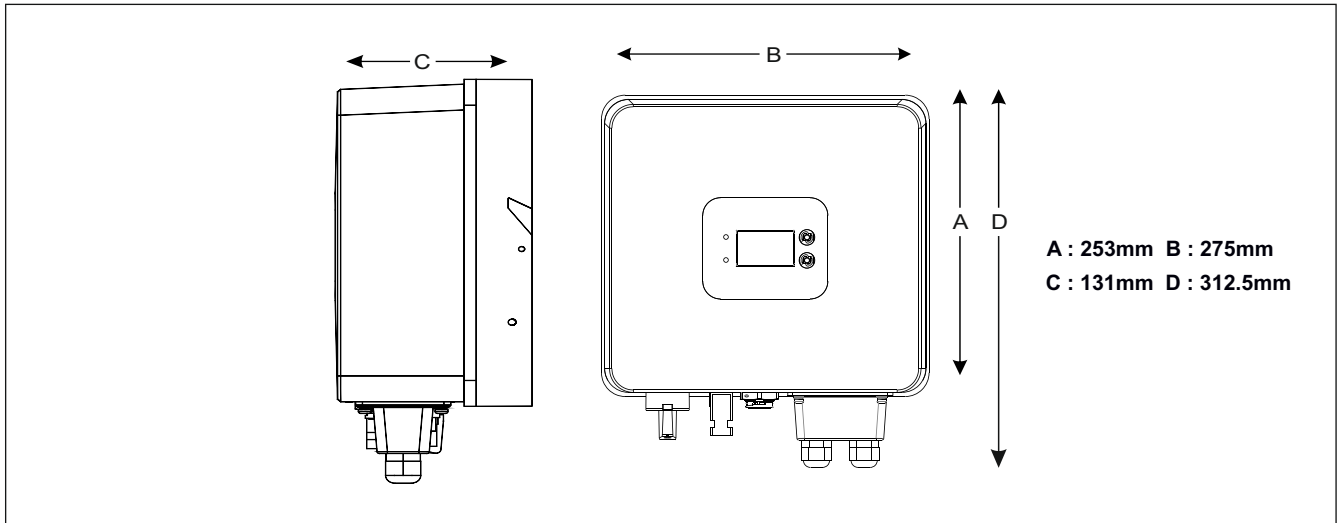
### General data

Topology	Transformerless
Consumption @ night	<0.5W
Operating temperature range	-25 to 60°C
Cooling method	Natural
Relative humidity	0 to 100% non condensing
Max. Operational altitude	4000m
Noise	<25 dBA
Designed lifetime	>20 years
Warranty	7 years
Ingress protection	IP65
Dimensions (W*H*D)	275*313*131 mm
Net weight	5.2 kg
Mechanical integration	Wall mountable

### Standards

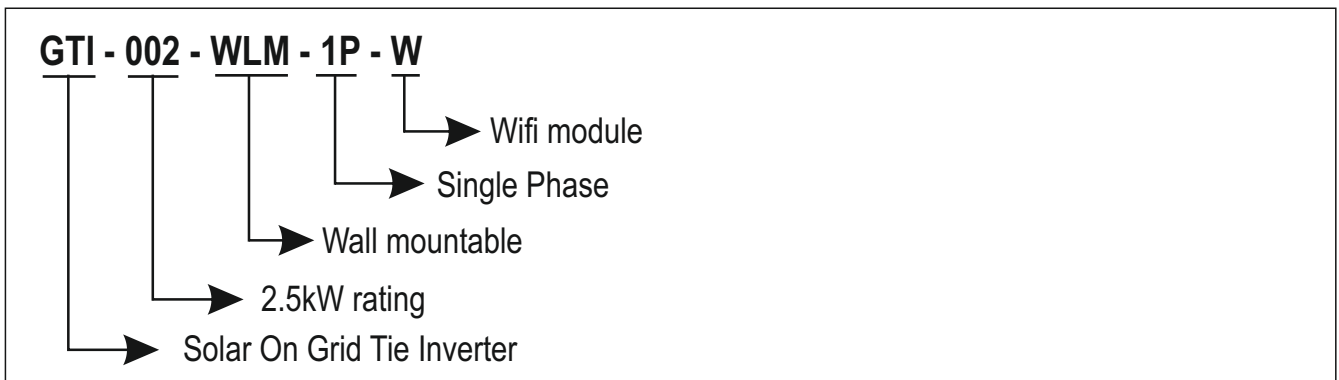
Standard Compliance	IEC 61683, IEC 60068, IEC 61727, IEC 61000-6-2, IEC 61000-6-3
Certifications	IS 16221-1 /2, IS 16169

Dimensions (All are in mm)



## Ordering Information

Product Code	Description
GTI002WLM1PW	Grid Tie Inverter - 1 Phase / 2.5kW, Wall Mounted With Wifi Module



## Selec Controls Pvt. Ltd.

EL-27/1, Electronic Zone, TTC Industrial Area, MIDC,  
Mahape, Navi Mumbai 400 710, INDIA  
Tel.: +91-22-4141 8468 / 452. Email: sales@selec.com

## Selec Subsidiaries:

Selec USA: [www.selec.com/us/en](http://www.selec.com/us/en)

Selec GmbH: [www.selec-europe.com](http://www.selec-europe.com)

Selec Australia: [www.selec.com/au/en](http://www.selec.com/au/en)

[www.selec.com](http://www.selec.com)

