



48 x 48mm

Features :

- 7 Functions
- 9 Time Ranges
- 4 Digits, 7 segment LED Dual Display
- LED Status Indications : Relay Status, Seconds, Minutes, Hours
- Dual Set Point
- Batch Function

Certifications :

Display Specifications

Digits	4 digits, 7 segment LED, dual display
LED Indicators	1 : Relay 2 : Relay2, Second, Minutes, Hours

Input Specifications

Start Input	Gate / Pulse start (programmable)
Accuracy	±0.05% of F.S. or 50msec (F.S. = Full Scale)

Output Specifications

Relay Contact	2 C/O SPST
Contact Rating	5A @ 230V AC

Functional Specifications

Modes	ON delay, Interval, Cyclic ON first, Cyclic OFF first, Forward - Pause - Reverse, Instantaneous + Delayed Batch
Time Ranges	0 - 99.99sec 0 - 999.9sec 0 - 9999sec 0 - 99:59min : sec, 0 - 999.9min 0 - 9999min 0 - 99 : 59hr : min, 0 - 999.9hr 0 - 9999hr
Resolution	0.01sec
Counting Direction	Up / Down
Set Point	2
Time Setting	By keys on front panel
Reset	Front, Remote, On Power interruption (programmable)
Memory Retention	10 years
Configuration Lock	Password protected

Auxiliary Supply Specifications

Supply Voltage	90 to 270V AC / DC (50 / 60Hz), 24V AC / DC -15% to 10% tolerance
Power Consumption	5VAmax

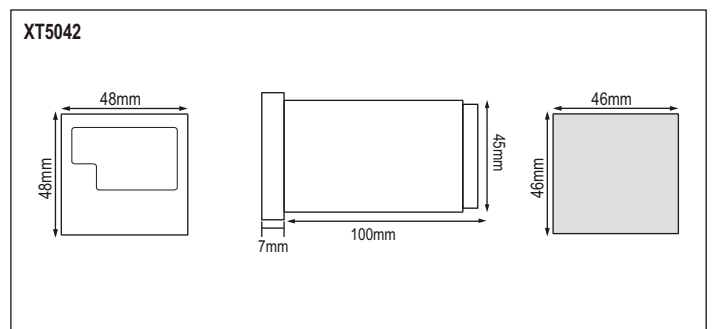
Environmental Specifications

Temperature	Operating : 0 to 50°C (32 to 122°F) Storage : -20 to 75°C (-4 to 167°F)
Humidity (non - condensing)	95% RH

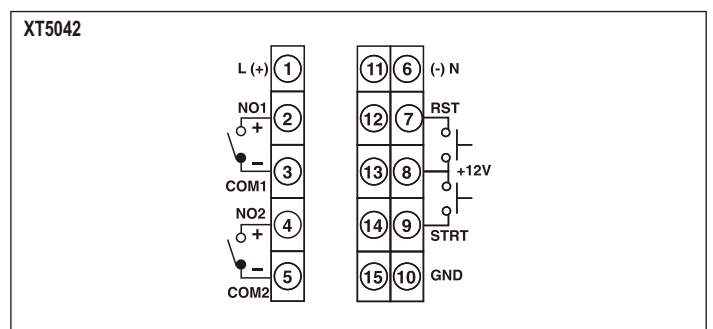
Mechanical Specifications

Mounting	Panel Mount
Weight	175gms

Dimensions



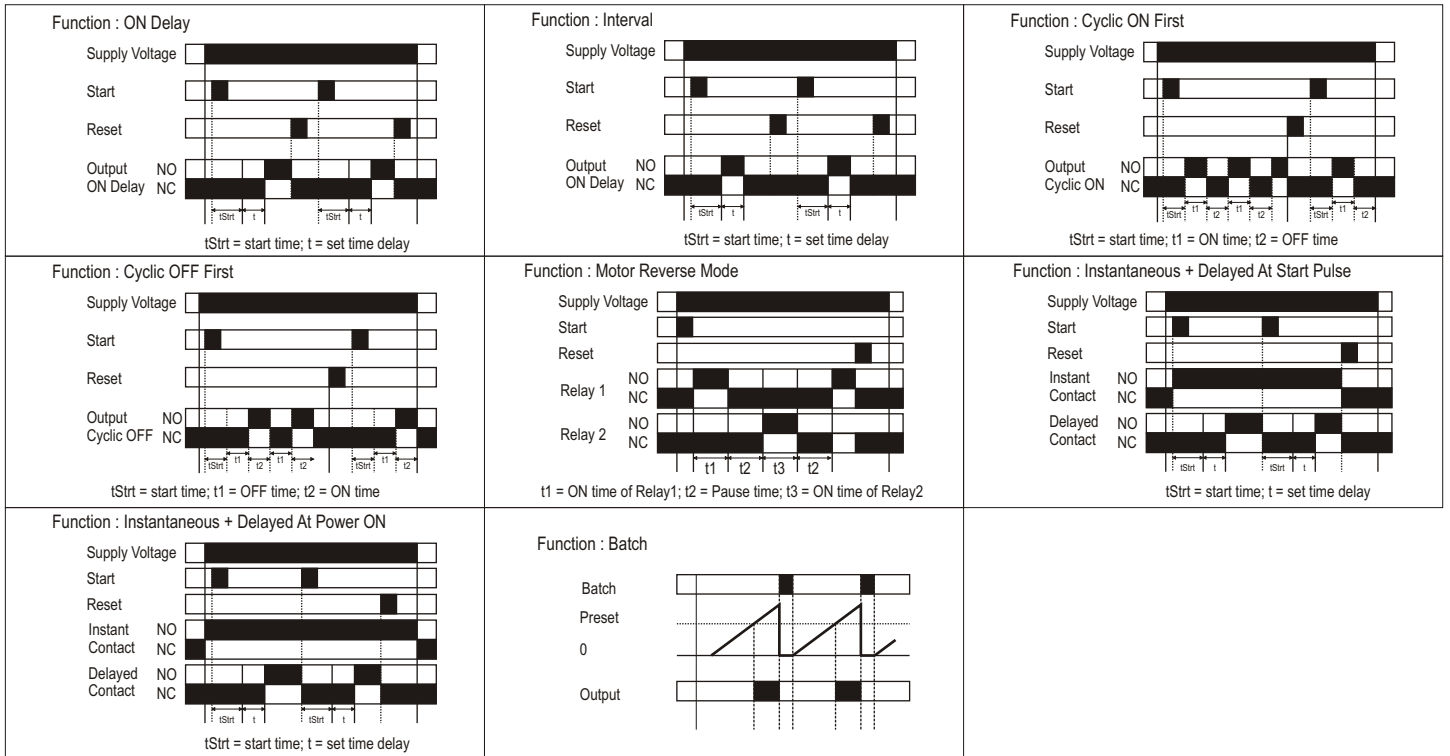
Terminal Connections



Cable Size (AWG) : 13; Stud Hole for Lug (inch) : 0.137; Tightening Torque (Lb - inch) : 7

Cable Size (mm²) : 2.5; Stud Hole for Lug (mm) : 3.5; Tightening Torque (N - m) : 0.8

TIMING DIAGRAMS



Compliance

Applicable EMI / EMC Standards		
Product Standard		
Category	Reference Standards	Testing Level
Electrostatic Discharge	IEC 61000-4-2	Level-3
Electrical Fast Transient / Brust	IEC 61000-4-4	Level-3
Electromagnetic Field	IEC 61000-4-3	Level-3
Surge	IEC 61000-4-5	Level-3
Conducted RF	IEC 61000-4-6	Level-2
Rated Power Frequency	IEC 61000-4-8	Level-4
Voltage Dip / Short Interruptions	IEC 61000-4-11	Level-3
Conducted Emissions	CISPR-11	Class-B
Rated Emissions	CISPR-22	Class-A
Emission & Immunity	IEC 61326-1	
Safety	IEC 61010-1	
PFMF (Passing criteria)	IEC 61000-4-8	Class A

Ordering Information

Product Code	Supply Voltage	Certification
XT5042	90 to 270V AC / DC	CE
XT5042-CU	90 to 270V AC / DC	CE, cUL, US
XT5042-24V	24V DC	---