



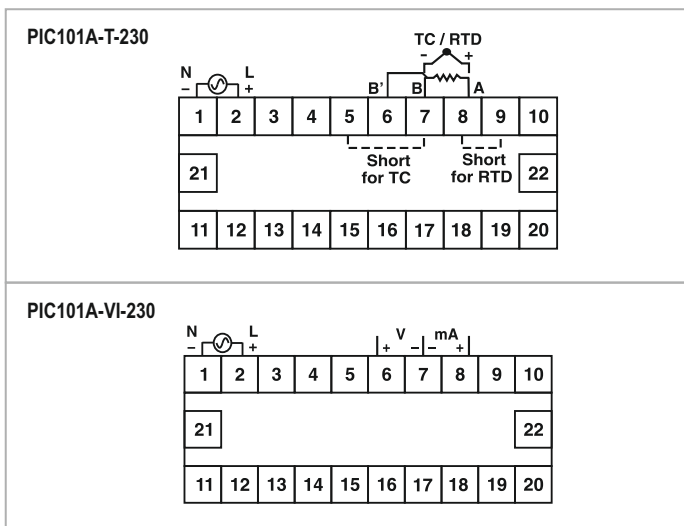
Features :

- ▶ 4 Digits, 7 Segment LED single display
- ▶ Scalable analog input
- ▶ 2 Models:
 - 1) TC/ RTD Input type
 - 2) Voltage/ Current Input type

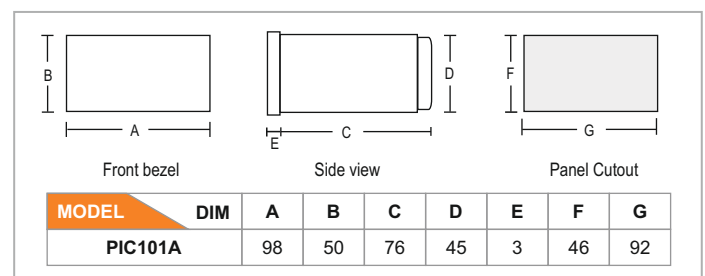
Technical specifications

Display specifications	
Display	4 Digits 7 Segment LED single display
Height of display	12.7 mm
Input specifications	
Inputs	For PIC101A-T-230 : Thermocouple (J, K, T, R, S), RTD (PT100) For PIC101A-VI-230 : Voltage: 0 - 10V DC ; Current: 0 - 20mA & 4 - 20mA DC
Resolution	1/ 0.1° For PIC101A-T-230 only (fixed 1° resolution for R & S type TC) Decimal point position selectable: 1/ 0.1/ 0.01/ 0.001 (For PIC101A-VI-230)
Indication accuracy	For PIC101A-T-230 : TC inputs: 0.25% of F.S. ±1° R & S inputs: 0.5% of F.S. ±2° (20 min of warm up time for TC Inputs) RTD input: 0.1% of F.S. ±1° For PIC101A-VI-230 : ±0.5% of F.S. ± 1 digit (F.S. = Full Scale)
Temperature unit	°C/°F selectable (For PIC101A-T-230)
Auxiliary supply specifications	
Supply voltage	230 VAC, ± 20%, 50/ 60Hz
Power consumption	5 VA max @ 230 VAC
Environment specifications	
Temperature	Operating: 0°C to 50°C (32 to 122°F); Storage: - 20°C to 75°C (- 4 to 167°F)
Humidity (non - condensing)	95% RH
Mechanical specifications	
Mounting	Panel
Weight	PIC101A-T-230 : 200 gms ; PIC101A-VI-230 : 195 gms

Terminal connections



Dimensions (All are in mm)



Ordering information

Product code	Supply voltage	Certification
PIC101A-T-230	230 VAC	---
PIC101A-VI-230	230 VAC	---