



DIN 22.5mm

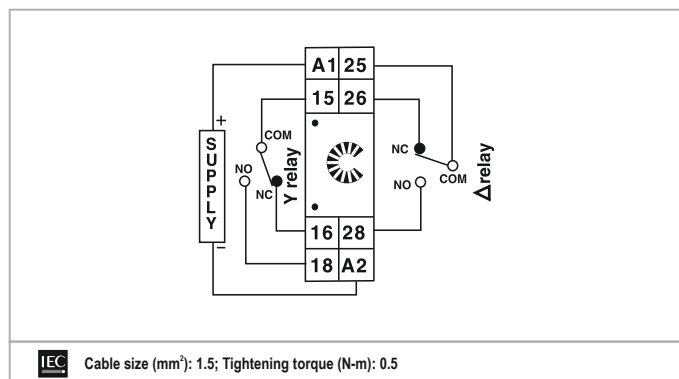
Features:

- ▶ Star delta
- ▶ 2 Time ranges: 30 / 60 sec
- ▶ Change over: 50 / 100 / 150 / 200ms
- ▶ LED indications: Star relay ON, Delta relay ON

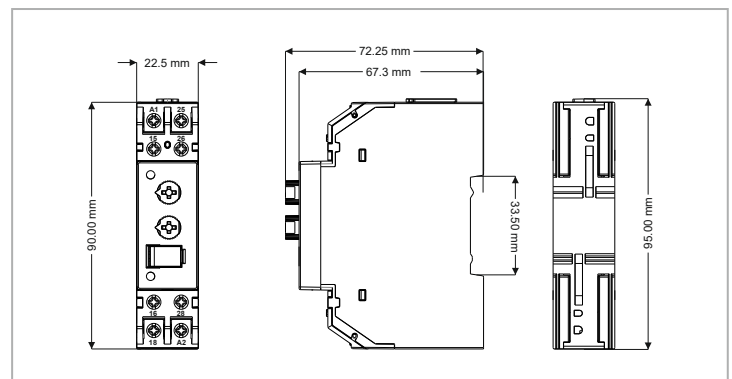
Technical specifications

Display specifications	
LED indications	Star relay ON, Delta relay ON
Input specifications	
Accuracy	Setting: $\pm 5\%$ of F.S., Repeat: $\pm 0.5\%$ or 50msec (F.S.= Full scale)
Output specifications	
Relay contact	1 C/O Relay each for Star & Delta
Contact rating	5A @250V AC / 24V DC, Resistive
Functional specification	
Modes	Star-Delta
Time ranges	Runup time range: 30 / 60sec, Change over: 50 / 100 / 150 / 200msec (user selectable via DIP switches)
Reset	ON power interruption, Reset time <100msec
Auxiliary supply specifications	
Supply voltage	230V AC (50/60 Hz) $\pm 10\%$ tolerance
Power consumption	10VA max
Environmental specification	
Temperature operating	0 °C to 50 °C (32 °F to 122 °F)
Storage	-20 °C to 75 °C (-4 °F to 167 °F)
Humidity (non - condensing)	95% RH
Mechanical specifications	
Mounting	DIN rail
Weight	115 gm

Terminal connections



Dimensions (all are in mm)

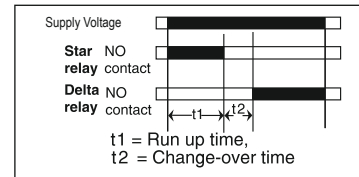


Standards compliance

Applicable EMI / EMC standards		
Product standard- IEC 60947-5-1		
Category	Reference standards	Testing level
Electrostatic discharge	IEC 61000-4-2	Level-3
Electrical fast transient / Brust	IEC 61000-4-4	Level-3
Electromagnetic field	IEC 61000-4-3	Level-3
Surge	IEC 61000-4-5	Level-3
Conducted RF	IEC 61000-4-6	Level-2
Rated power frequency	IEC 61000-4-8	Level-4
Voltage dip / Short interruptions	IEC 61000-4-11	Level-3
Conducted emissions	CISPR-11	Class-A
Rated emissions	CISPR-11	Class-A
Safety	IEC 61010-1	

Timing diagram

Special timer for star delta changeover for star-delta starting of 3Ø induction motors



Ordering information

Product code	Supply voltage	Certification
800SD-2-230	230V AC	- - -