

XT546BX

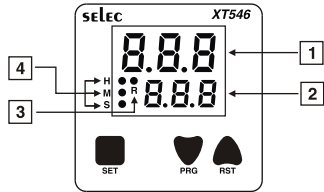
Operating Instructions



Display : Dual(3+3) 7 segment LED displ

MECHANICAL INSTALLATION

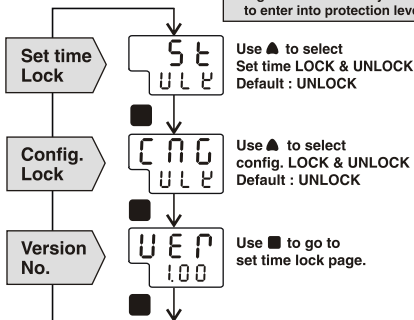
FRONT PANEL DESCRIPTION



	On line	Config	Lock	For Reset
1	Process Time	Parameter name		
2	Set Time	Parameter setting		
3	Output Status (Lits when Output is ON)			
4	Time Range (Blink in online mode)			

PROTECTION LEVEL

NOTE : Press **▼** + **▲** together continuously for 3sec. to enter into protection level.

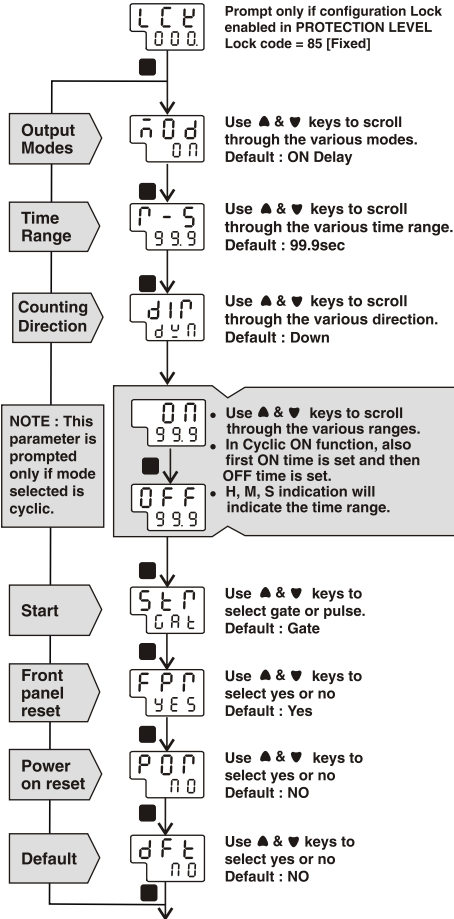


The unit will auto exit lock mode after 30sec. of key inactivity or by pressing **▼** + **▲** keys together continuously for 3sec. to exit the function

CONFIGURATION INSTRUCTION

1. Enter configuration by pressing key **▼** for 3sec.
2. Scroll various function ranges by pressing **▲** & **▼** key.
3. Scroll various parameter by pressing the **■** key.

The unit will auto exit program mode after 30sec. of key inactivity or by pressing **▼** (PROG) key continuously for 3sec.



RESET METHOD

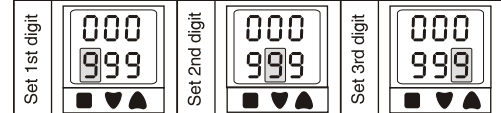
NOTE : Press **▲** (RST) key continuously for 3sec. to enter into function.



TO PROGRAM SET VALUE

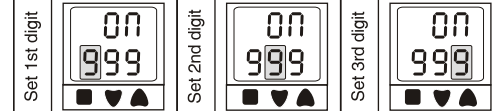
NOTE : Press **■** key continuous for 3 sec to change the set value. The corresponding digit will increment or decrement from 0 to 9 using **▲** & **▼** respectively.

Only if mode selected is on delay / Interval

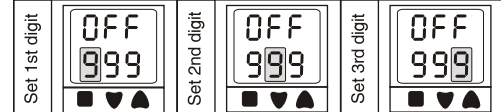


NOTE : Press **■** key to store set value & Press **■** key continuous for 3 sec to exit the set value function .

Only if mode selected is cyclic



NOTE : Press **■** key continuous for 3 sec to register and move to next parameter



NOTE : Press **■** key to store set value & Press **■** key continuous for 3 sec to exit the set value function .

NOTE : If the set value is 000 then timer must hold (not work). All indications will be OFF.

The unit will auto exit set value mode after 30sec. of key inactivity
(Specifications are subject to change, since development is a continuous process)

Selec Controls Pvt. Ltd. India

Factory Address :

EL-27/1, Electronic Zone, TTC Industrial Area, MIDC, Mahape, Navi Mumbai - 400 710, INDIA.

Tel. No. : +91-22-41 418 452/468 | Fax No. : +91-22-28471733

Toll free : 1800 227 353 (BSNL/MTNL Subscribers only)

Website : www.selec.com | Email : sales@selec.com