



Patents applied worldwide

### FEATURES

- > Flexible card selection
- > Compact PLC with user selectable HMI.
- > Windows based user friendly Selpro software for ladder programming & HMI configuration
- > RTC with Time Switch function (Optional)
- > RS 485 based communication with Slave.

### SPECIFICATIONS

Supply Voltage	24VAC(18-30VAC)
IO Card Slots	2 (max)
<b>DIGITAL INPUT (Max. counting frequency 60Hz)</b>	
Input Voltage Range (V+)	8-30V AC
No. of Digital Input	3 (max)
Response Time (Inputs other than fast counter)	10ms max
Isolation	NO

Note : Refer I/O cards and Display cards for further mentioned I/O specifications.

### DIGITAL OUTPUT - RELAY

Contact Rating	NO Type : (5A resistive @ 230V AC / 30V DC)
Isolation	2.5 kV
Initial Max. Contact Resistance	100mΩ (@1A, 6V DC)
Switching Time	20ms max.

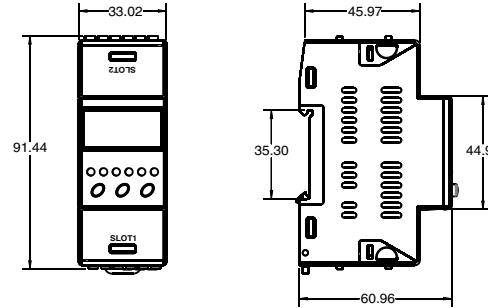
### COMMUNICATION

Communication Port - Port 1	1:RS485 Slave
Communication Protocol	MODBUS RTU

### ENVIRONMENTAL CONDITIONS

Temperature	Operating : 0 to 55°C ; Storage : -20 to 70°C
Humidity (non-condensing)	10% to 95% RH
Enclosure	Din Rail
Weight	90 gms (without IO Cards)

## MECHANICAL INSTALLATION



### CAUTION

The equipment in its installed state must not come in close proximity to any heating sources, caustic vapors, oils, steam, or other unwanted process by products.

### EMC Guidelines :

1. Use proper input power cables with shortest connections and twisted type.
2. Layout of connecting cables shall be away from any internal EMI source.

### MAINTENANCE

1. To avoid blockage of ventilation holes, clean the equipment regularly using a soft cloth.
2. Do not use Isopropyl alcohol or any other organic solvents for cleaning.

## INSTALLATION INSTRUCTIONS

### CAUTION

1. This equipment, being built-in-type, normally becomes a part of the main control panel and the terminals do not remain accessible to the user after installation.
2. Conductors must not come in contact with the internal circuitry of the equipment else it may lead to a safety hazard that may endanger life or cause electrical shock to the operator.
3. Circuit breaker or mains switch must be installed between the power source and supply terminals to facilitate power 'ON' or 'OFF' function.
4. The equipment shall not be installed in environmental conditions other than those specified in this manual.
5. Since this equipment forms part of the main control panel, its output terminals get connected to the host equipment. Such equipment shall also comply to EMI / EMC and safety requirements like CE standard procedure.
7. Thermal dissipation of equipment is met through ventilation holes provided on housing of equipment. Obstruction of these ventilation holes may lead to a safety hazard.
8. The output terminals shall be loaded strictly as per the values / range specified by the manufacturer.

### ELECTRICAL PRECAUTIONS DURING USE

Electrical noise generated by switching of inductive loads can create momentary disruption, erratic display, latch up, data loss or permanent damage to the instrument.

### To reduce noise :

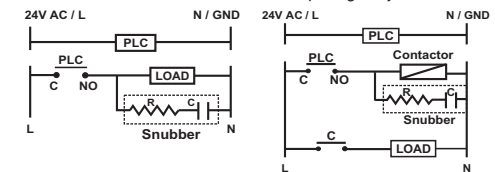
- Use of MOV / Snubber circuit across load / contactors of the unit are recommended.
- 1. MOV Part no. : AP-MOV-03
- 2. Snubber Part no. : APRC-01

**NOTE :** Below mentioned diagram is applicable only for 230V relay outputs.

### Typical Connections For Loads :

For load current < 0.5A

For bigger loads use interposing relay / contactor



**NOTE :** Use snubber as shown above to increase life of internal relay. Use separate shielded wires for inputs.

## PANEL MOUNTING

Fig. 1

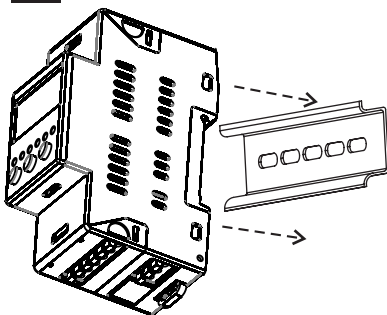
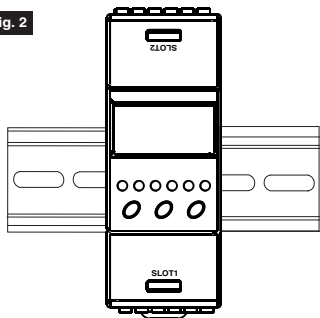


Fig. 2



1. Snap the controller onto the Din Rail as shown in fig. 1 above.
2. When properly mounted, the controller is squarely situated on the Din-rail shown in Fig. 2. above

## WIRING INSTRUCTIONS

### ⚠ CAUTION

1. To prevent risk of electric shock, power supply to the equipment must be kept OFF while wiring.
2. Terminals and electrically charged parts must not be touched when the power is ON.
3. Wiring shall be done strictly according to the terminal layout provided in the operating manual.
4. To eliminate electromagnetic interference use short wire with adequate ratings and twists of equal size.
5. The power supply connection cable must have a cross section of 1sq.mm or greater and insulation capacity of at least 1.5KV.

## FUNCTIONAL DETAILS

MIBRX is a PLC with user selectable HMI. The user can configure the product, it's I/O slots and display type using SELPRO software.

### SELPRO has two sections :

1. Ladder logic programming section
2. Selec Machine Interface, used for configuration of HMI.

This software is provided with the product. For details of the software and configuration method, please refer to its user manual with the product.

**Note:** Ensure card inserted in any slot is the same one selected.

## ORDERING INFORMATION

ORDER CODE	DESCRIPTION
MIBRX-2M-1-0-0-24VAC	24VAC POWER SUPPLY WITHOUT MASTER COMMUNICATION & RTC

## SUPPORTED IO CARDS

MIBRX-SC-DI06-AC	6 Digital Inputs
MIBRX-SC-RO04-12V	4 Relay Outputs

## SUPPORTED DISPLAY CARDS

MIBRX DSP-2M-0-1-06-A

## ACCESSORIES

Accessories for Communication

AC-USB-RS485-02 (USB to 2 pin open wire)  
AC-IOEXP-03 (Port expansion adapter )

Window-Based Software for Ladder Programming

ACD-005

## ⚠ SAFETY PRECAUTIONS

This manual is meant for personnel involved in wiring installation, operation and routine maintenance of the equipment.

All safety related conditions, symbols and instructions that appear in this operating manual or on the equipment must be strictly followed to ensure operator and instrument safety. Any misuse may impair the protection provided by the equipment.

- ⚠ Read complete instructions prior to installation and operation of the unit.
- ⚠ Risk of electric shock.

## ? SERVICE DETAILS

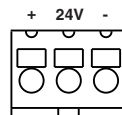
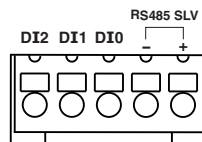
This device contains no user serviceable parts and requires special equipment and specialized engineers for repair.

Please contact service center for repair on the following numbers :  
Tel. No. : + 91-7498077172 ; Email : service@selec.com

**NO WARRANTY ON UNIT DAMAGED DUE TO WRONG POWER SUPPLY.**

(Specifications are subject to change, since development is a continuous process)

## TERMINAL CONNECTION



Power Supply Card

## Selec Controls Pvt. Ltd.

Factory Address :  
EL-27/1, Electronic Zone, TTC Industrial Area, MIDC, Mahape,  
Navi Mumbai - 400 710, INDIA.  
Tel. No. : +91-22-41 418 419/430 | Fax No. : +91-22-28471733 |  
Toll free : 1800 227 353 (BSNL/MTNL Subscribers only)  
Website : www.selec.com | Email : sales@selec.com