




48 x 48mm

## Features:

- Ramp / Soak Control
- 4+4 Digits, 7 Segment LED Dual Display
- LED Status Indicator : Relay ON, Tune, Alarm, Manual
- 4 Front Panel Control buttons
- TC / RTD Input, Analog Input
- ON - OFF / PID Control
- °C / °F Selectable
- 10 Programs, 16 Steps Each
- Alarm at Each Step
- Memory Retention

Certifications : 

### Display Specifications

Display	4+4 Digits 7 Segment LED Dual Display Height of Upper Display : 10mm Height of Lower Display : 7mm
LED Indications	Relay ON, Alarm, Manual mode, Tune

### Input Specifications

Inputs	Thermocouple (J, K, T, R, S, C, E, B, N, L, U, W, Platinel II), RTD (PT100) DC Analog inputs (-5 to 56mV, 0 to 10V, 0 to 20mA)
Resolution	1 / 0.1° for TC / RTD only ( Fixed 1° resolution for R & S type TC) Decimal point position selectable : 1 / 0.1 / 0.01 / 0.001 for analog input
Indication Accuracy	For TC inputs : 0.25% of F.S. ±1° For R & S type TC inputs : 0.5% of F.S. ±2° (20 min of warm up time for TC inputs) For RTD input : 0.1% of F.S. ±1° For Analog input : ±0.5%, ±1 digit (F.S. = Full Scale)
Temperature Unit	°C / °F Selectable
Input Filter (FTC)	1 to 99 sec
Sampling time	200 ms

### Output Specifications

<b>Control Output</b> (Optional)	1
Relay Contact (SPST)	5A @ 230V AC / 30V DC, resistive
Current	4 to 20mA DC (loop impedance : 500Ω max.)
<b>Auxiliary Output</b> (Optional)	1
Relay Contact (SPST)	5A @ 230V AC / 30V DC, resistive

### Functional Specifications

Control Action	1) PID Control with Auto tuning 2) ON-OFF Control
Proportional Band (P)	0.0 to 400.0°
Integral Time (I)	0 to 3600 sec
Derivative Time (D)	0 to 200 sec
<b>Alarm</b>	
Modes	Deviation high, Deviation low, Band, Full scale high, Full scale low, Sensor break
Operation	Absolute / Deviation mode
Hysteresis	Programmable
Hold / Standby mode	Programmable
Annunciator	Programmable
Reset Action	Programmable - Automatic or Latched
Probe Break Action	Upscale
<b>Profile</b>	
No. of Profiles	10
No. of Steps	16 each
Ramp/Soak Time Range	0.01 to 99.59 Hrs : Min
Target Temperature Range	SPLL to SPHL
Other Profile Parameters	Link profiles, Programmable repeat cycle, Power down resume / Reset options, Deviation hold, Alarm at each step with settable alarm duration

### Auxiliary Supply Specifications

Supply Voltage	85 to 270V AC / DC (50 / 60Hz)
Power Consumption	5 VA max @ 230V AC

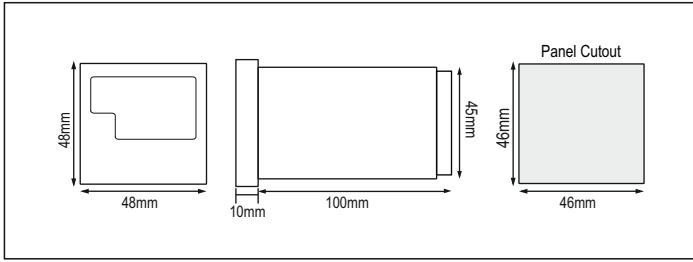
### Environmental Specifications

Temperature	Operating : 0 to 50°C (32 to 122°F) Storage : -20 to 75°C (-4 to 167°F)
Humidity (non-condensing)	85% max. RH from 0 to 50°C

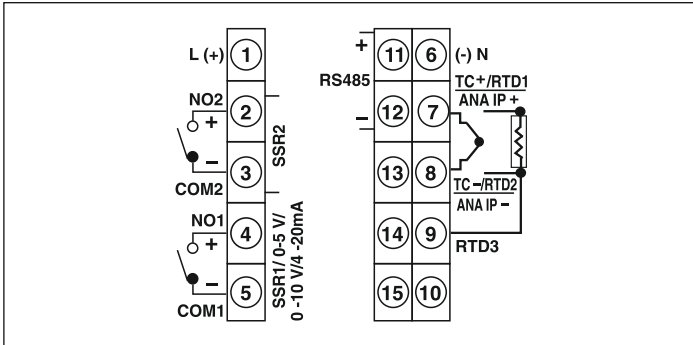
### Mechanical Specifications

Mounting	Panel Mount
Weight	195 gms

Dimensions



Terminal Connections



Compliance

Applicable EMI / EMC Standards		
Product Standard : IEC 61326-1		
Category		Standards Compliance
ESD Immunity	IEC 61000-4-2	Level III
Surge Immunity	IEC 61000-4-5	+/- 2 kV common mode, +/- 1 kV differential mode
Radiated Susceptibility	IEC 61000-4-3	Level III, 80 to 1000MHz Level II, 1.4GHz to 2GHz Level I, 2GHz to 2.7GHz
Conducted Susceptibility	IEC 61000-4-6	Level II
Voltage Dips and Interruptions	IEC 61000-4-11	<b>Dips</b> : 0% residual voltage / 1 cycle (Criteria B), 40% residual voltage / 10 cycles 50Hz / 12 cycles 60Hz (Criteria C) 70% residual voltage / 25 cycles 50Hz / 30 cycles 60Hz (Criteria C) <b>Interruptions</b> : 0% residual voltage / 250 cycles 50Hz / 300 cycles 60Hz (Criteria C)
Conducted Emission	CISPR-11	
Radiated Emission	CISPR-11	
Electrical Fast Transient	IEC 61000-4-4	Level III

Ordering Information

PRODUCT CODE	OUTPUT 1	OUTPUT2	SUPPLY VOLTAGE	CERTIFICATION
PR502-0-0-0-CE	RELAY	RELAY	85-270V AC/DC	CE
PR502-2-0-0	4-20mA (Current)	RELAY	85-270V AC/DC	CE

Accessories (Optional)

Standard SELEC accessories that can be used with this product.

Adapter plate

- 1) AP7248 : Plastic adapter plate, used to mount 1 / 16 DIN (cutout size 48 x 48) Instrument into existing (72 x 72) cutout size.
- 2) AP9648 : Plastic adapter plate, used to mount 1 / 16 DIN (cutout size 48 x 48) Instrument into existing (96 x 96) cutout size.
- 3) AP4896-4848-G-C : Plastic adapter plate, used to mount 1 / 16 DIN (cutout size 48 x 48) Instrument into existing (48 x 96) cutout size.

Mounting Accessories (Supplied with units)

48 X 48 Collar clamp	ACL4802
----------------------	---------

Input Ranges (For TC / RTD Input)

Sensor Type	Resolution	Ranges	
		1	0.1
Pt100	°C	-150 to 850	-150 to 850
	°F	-238 to 1562	-199 to 999
J	°C	-199 to 750	-199 to 750
	°F	-328 to 1382	-199 to 999
K	°C	-199 to 1350	-199 to 999
	°F	-328 to 2462	-199 to 999
T	°C	-199 to 400	-199 to 400
	°F	-328 to 750	-199 to 750
R & S	°C	0 to 1750	N/A
	°F	32 to 3182	N/A