

DESCRIPTION

70XH R90WDJH & XUHQW
3RZHU SFWLSBDUHQW WLYH
(OHUJ\ SFWLYH SHDFWLYH
3OXJLQH) 5- & ROHFWRU & XUHQW
3URJUDPPDEOH 7 73 34R 34R 34R
ORGEXV 578 & RPPXQLFDWLRO 56
3XOVH 2XWSXWV
ODI HPDOG RI 3RZHU
6HOI 3RZHUG

Certification: 

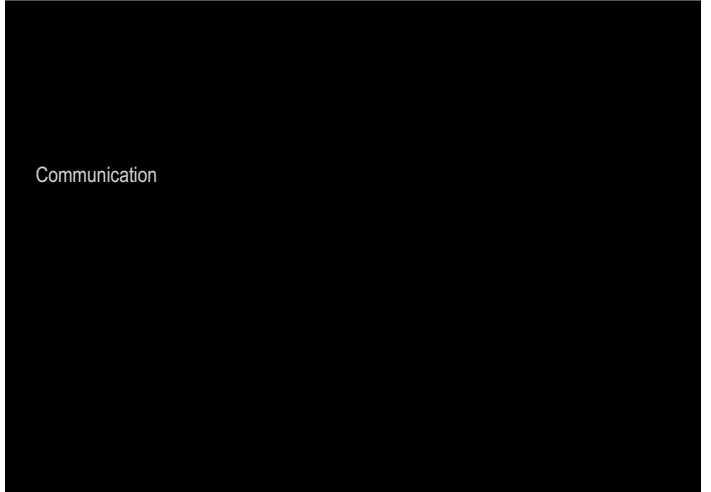
1. GENERAL INFORMATION



2. MEASURING PARAMETERS

	45 to 65Hz
	(depending upon CT ratio x PT ratio)
Measuring Parameters	Voltage (L - L / L - N) (Individual / Average), Current (Individual), Frequency Power Factor (Individual / Average), Active, Reactive & Apparent Power (Individual / Total), Active and Reactive Energy Active and Reactive Energy (Current Input - 1 Plus, Current Input - 2),

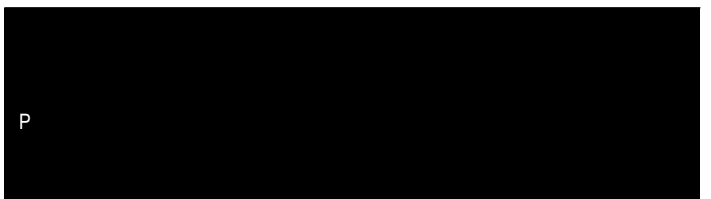
3. COMMUNICATION



4. DIMENSIONS AND WEIGHT



5. OPERATING AND STORAGE TEMPERATURE



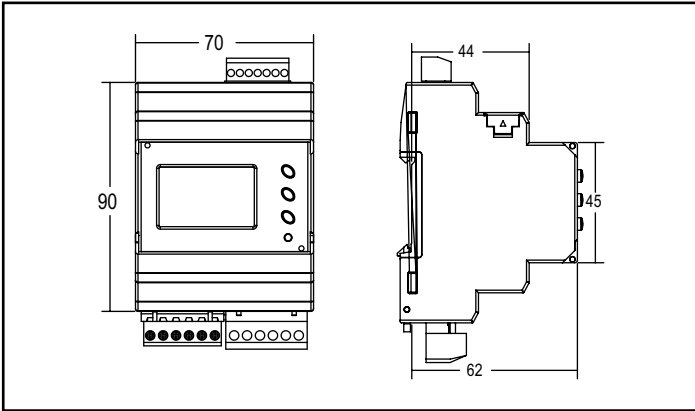
6. OPERATING AND STORAGE TEMPERATURE



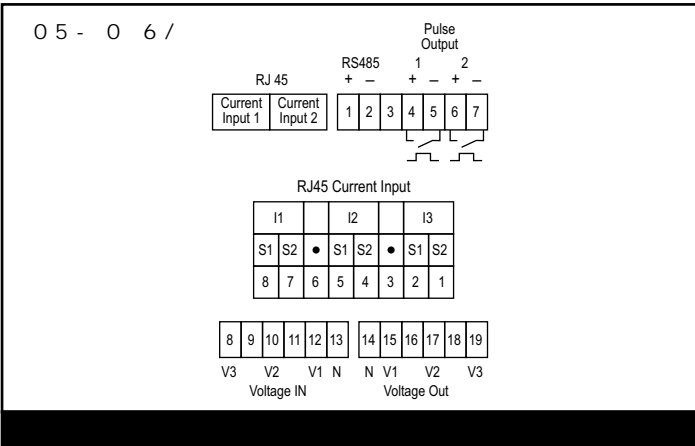
7. ACCESSORIES



'LPHQVLRQV LPHQVLRQV DUH LQ PP



7HUPLODO & RQQHFWLRQ



& RPSOLDQFH

& DWHJR U \		6 W D Q G D U G V & R P S O
ESD Immunity	IEC 61000 - 4 - 2	Level IV (Air Discharge : 15kV), (Contact Discharge : -8kV)
Surge Immunity	IEC 61000 - 4 - 5	+ / - 2kV Common Mode, (Line to Ground) + / - 1kV Differential Mode, (Line to Line)
Radiated Susceptibility	IEC 61000 - 4 - 3	Level III, 80 to 1000MHz (10V / m) Level II, 1.4GHz to 2GHz (3V / m) Level I, 2GHz to 2.7GHz (1V / m)
Conducted Susceptibility	IEC 61000 - 4 - 6	Level II (3V / m)
Voltage Dips and Interruptions	IEC 61000 - 4 - 11	10% residual voltage / 1 cycle (Criteria B), 40% residual voltage / 10 cycles 50Hz / 12 cycles 60Hz (Criteria C) 70% residual voltage / 25 cycles 50Hz / 30 cycles 60Hz (Criteria C) Q W H U : 10% residual voltage / 250 cycles 50Hz / 300 cycles 60Hz (Criteria C)
Conducted Emission	CISPR - 11	
Radiated Emission	CISPR - 11	
Electrical Fast Transient	IEC 61000 - 4 - 4	Level III (2kV)

2 U G H U L Q J , Q I R U P D W L R Q

