



EC Declaration of Conformity

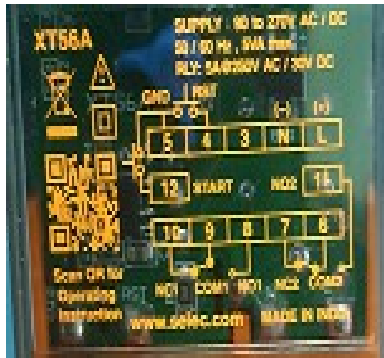
Selec Controls Pvt. Ltd.
EL-27/1, Electronic zone, TTC Industrial Area,
Mahape, Navi Mumbai, India-400710.

Unique identification of the product

Declare that the DOC is issued under our sole responsibility and belong to the following product

Product Descriptions	DIGITAL TIMER
Type	PANEL MOUNT
Batch	JUNE-2023
Model No.	XT56A
Serial No.	2306T110300061

Object of the declaration (identification of apparatus allowing trace-ability; it may include a color image of sufficient clarity where necessary for the identification of the apparatus)



The object of the declaration described above is in conformity with the relevant union harmonization legislation

- Electromagnetic Compatibility Directive (EMC), 2014/30/EU
- Low Voltage Directive (LVD), 2014/35/EU
- RoHS Directive, (EU)2015/863

The following harmonized standards and technical specifications have been applied

Title	Date of standard / Specification
IEC 61326-1	Edition 3.0-2020
IEC 61010-1	Edition 3.01 2017

Signed for and on behalf of:

**Selec Controls Pvt Ltd,
Navi Mumbai
05/07/2023
Place and date of issue**

Mrs. Raksha M (H.O.D-Design)

Authorized Signatory



RoHS Declaration of Conformity

Selec Controls Pvt. Ltd.
EL-27/1, Electronic zone, TTC Industrial Area,
Mahape, Navi Mumbai, India-400710.

Declare under sole responsibility that the following described products

Product Name	XT56A
Model Type	DIGITAL TIMER

was affixed with RoHS marked in the year

To which this declaration relates is in compliance with Directive **(EU) 2015/863** of the European Parliament and of the council of 22 July 2019 on the restriction of the use of certain hazardous substances in electrical and electronic equipment (RoHS Directive) in accordance with the definitions set forth in the directives.

RoHS Restricted Substances	Maximum Control Value
Lead	0.10% by weight (1,000 ppm) ²
Mercury	0.10% by weight (1,000 ppm)
Cadmium	0.01% by weight (100 ppm)
Hexavalent Chromium	0.10% by weight (1,000 ppm)
Polybrominated Biphenyls (PBB)	0.10% by weight (1,000 ppm)
Polybrominated diphenylethers (PBDEs) including Deca-BDE or pentaBDE or octaBDE	0.10% by weight (1,000 ppm)
Bis(2-Ethylhexyl) phthalate (DEHP)	0.10% by weight (1,000 ppm)
Benzyl butyl phthalate (BBP)	0.10% by weight (1,000 ppm)
Dibutyl phthalate (DBP)	0.10% by weight (1,000 ppm)
Diisobutyl phthalate (DIBP)	0.10% by weight (1,000 ppm)

The Technical data file is maintained at Selec Controls Pvt. Ltd., Navi Mumbai, India.

Selec Controls Pvt Ltd, Navi Mumbai, India

Mrs. Raksha M. (H.O.D-Design)

(Place of Issue)

(Name & Designation of The Authorised Person)

05/07/2023

(Date of issue)

(Signature of The Authorised Person)