

OPERATING INSTRUCTIONS

RC5100A / RC2100 & RC100C

Please maintain these instructions and review them before using the unit:

Warning:

- This unit is panel mounted type with its output terminals getting connected to the host equipment. Such equipment shall also comply with basic EMI/EMC and safety requirements like BS EN 61326-1 and BS EN 61010 respectively.
- To avoid electric shock, power supply of the unit should be kept off while wiring. Wiring should be done strictly as per the terminal layout, given in the manual.
- Use lugged terminals to meet M3 screws.
- The unit does not have a built-in fuse. External fuse rated 275V AC/1A is recommended.

Caution:

- This unit is not intended for outdoor use.
- The power connection cable must have across-section of atleast 1mm² and insulation capacity of atleast 1.5kV.
- The output connections must not be loaded beyond the specified values/range.
- Avoid inflow of dust and contact of conductive material with the internal circuitry of the unit.
- The unit must not operate in presence of heating sources, caustic vapors, oil, steam, vibration or impact etc.
- Do not use any organic solvents like Isopropyl alcohol. Care must be taken to avoid entry of water into the circuitry through the ventilation holes.

SPECIFICATIONS

SUPPLY VOLTAGE

90 to 270V AC/ DC; AC: 50/ 60 Hz

DISPLAY

4 digit, 7 segment LED

RC5100:

0.3" height Bright Red LED

RC2100 & RC100C:

0.5" height, Bright Red LED

RANGE

Auto ranging (4,00 to 9999 RPM)

ACCURACY

0.05%

SENSOR SUPPLY

12 VDC(±10%), 30 mA

INPUT

- Voltage pulse : 3 to 30 VDC from proximity switches (**PNP type**), encoders or solid state devices.
- Potential free contact from limit switch, relay or micro - switch

OPERATING TEMP.

0 - 50°C

HUMIDITY

95% RH

HOUSING

CE marked products: Flame retardant plastic

Non CE products: ABS plastic.

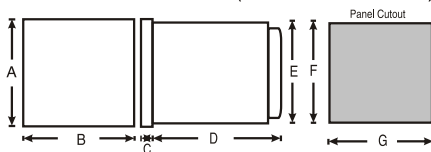
WEIGHT

RC5100A - 150gms

RC2100 - 232gms

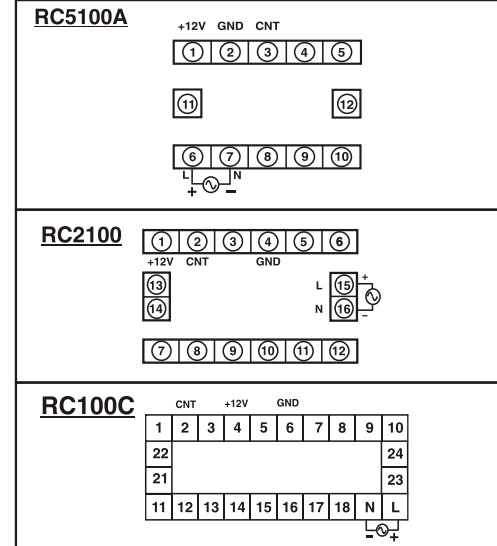
RC100C - 365gms

PANEL DIMENSIONS(dimensions in mm)



MODELS	A	B	C	D	E	F	G
RC5100A	48	48	7	100	45	46	46
RC2100	72	72	10	115	68	69	69
RC100C	50	97.5	10	88	45	46	92

TERMINAL CONNECTIONS



Sensor color codes and Connections:-
 Red = +12V, Green = CNT, Black = GND;
 Brown = +12V, Black = CNT, Blue = GND.

For using Potential free contact, connect the contact across +12V and CNT terminals.

Selec Controls Pvt. Ltd.

Specifications are subject to change, since development is a continuous process

Telephone: +91-22-40394200 / 40394202

Fax: +91-22-28471733

Toll free: 1800 227 353

Website: www.selec.com

Email: sales@selec.com

Operating/1010/5100A/2100/RC100C/OP187-V02

(Page 1 of 1)