



Features:

- ▶ Max. efficiency: 96.44%, MPPT efficiency: >99.9%
- ▶ Built-in zero export device
- ▶ Low startup voltage “45V”
- ▶ Anti-islanding protection
- ▶ IP65 protection
- ▶ Wide MPPT range
- ▶ In-house remote monitoring application “SELEC”^{SOLAR}

Certification: BIS | BEE | IEC

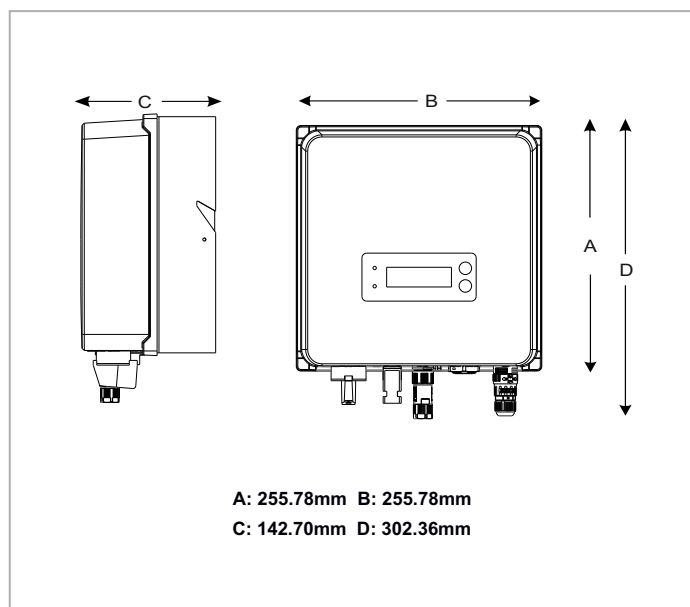


Technical specifications

| Main | |
|--|--|
| Product name | GTI003X61PN243 & GTI003X61PN243-X |
| Product or component type | Grid tie inverter |
| Input specification | |
| DC input (PV side) | |
| Nominal DC input power (kW) | 3.6 |
| Max. allowable PV power (kW) | 5.4 |
| Nominal PV voltage (V) | 360 |
| Max. DC input voltage (V) | 550 |
| Startup voltage (V) | 45 |
| Operating range (V) | 45-550 |
| MPPT voltage range (V) | 45-500 |
| Max input current per MPPT (A) | 17 |
| Number of MPPT | 1 |
| Max. Input strings number | 1 |
| Max. PV short circuit current per MPPT (ISC) | 20 |
| Output specifications | |
| AC output (grid side) | |
| Rated output power (kW) | 3.6 |
| Max. output power (kW) | 3.6 |
| Nominal AC current, RMS (A) | 15 |
| Max. output current (A) | 15.71 |
| Grid voltage range (V) | 216-264 |
| Grid frequency range (Hz) | 50 |
| Power factor (at rated output power) | >0.99 (adjustable from 0.8 leading. 0.8 lagging) |
| Total harmonic distortion [THDi] | <3% at rated load |
| Load feed-in phase / connection phase | Single phase |
| Interface | |
| DC connection | MC4 connectors |
| Display | LCD with LED indication |
| Datalogger & Communication | RS485 (default) / Wi-Fi / GSM (to be ordered along with inverter separately) |
| Efficiency | |
| Maximum efficiency (%) | 96.44 |
| MPPT efficiency (%) | >99.9 |
| Euro efficiency (%) | 96 |

| Protection functions | |
|---|--|
| DC reverse polarity protection | Yes |
| Short circuit protection | Yes |
| Over current protection | Yes |
| Over voltage / Under voltage protection | Yes |
| Over frequency / Under frequency | Yes |
| Insulation resistance monitoring | Yes |
| Over voltage / Under voltage | Yes |
| Residual current detection | Yes |
| Surge protection | Type II SPD on AC and DC Side |
| Islanding protection | Yes |
| Temperature protection | Yes |
| Integrated DC switch | Optional |
| Integrated AFCI (DC arc-fault circuit protection) | Optional |
| General data | |
| Topology | Transformerless |
| Consumption @ night (W) | <0.5 |
| Operating temperature range | -25 °C to +60 °C |
| Cooling method | Natural convection |
| Relative humidity | 0 to 100% non-condensing |
| Max. operational altitude | 4000m |
| Noise (dBA) | <30 |
| Designed lifetime | >20 years |
| Warranty | 7 years + 3 years additional if product is registered on app within 15 days of commissioning |
| Ingress protection | IP65 |
| Dimensions (W*H*D) | 256*302*142mm |
| Net weight (Kg) | 4.4 |
| Mechanical integration | Wall mountable |
| Certifications | |
| Safety | IS 16169 : 2019 / IEC 62116 : 2014, IS 16221 (part 2) : 2015 / IEC 62109-2 : 2011 |
| Environmental | IEC 60529 |
| Electrical | IS 17980 : 2022 / IEC 62891 : 2020, IEC 61000 |

Dimensions (All are in mm)



Ordering information

| Product code | Description |
|------------------|---|
| GTI003X61PN243 | Grid tie inverter - 1 phase / 3.6kW, without WiFi & GSM module - 17A |
| GTI003X61PN243-X | Grid tie inverter - 1 phase / 3.6kW, without WiFi & GSM module - 17A, without DC Switch |
| AC-S2W-GTI-2 | WiFi module |

