



72 x 72mm

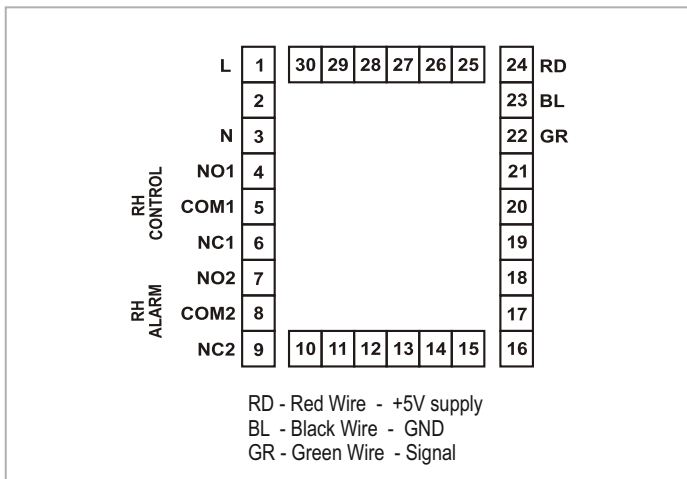
Features :

- ▶ 4 Digits LED dual display
- ▶ RH sensor input
- ▶ Sensor enclosed with unit
- ▶ ON / OFF control
- ▶ 10A SPDT Relay output
- ▶ 10A SPDT alarm output
- ▶ 0 - 100% humidity control range
- ▶ 90 to 270V AC / DC supply voltage
- ▶ IDM applicable

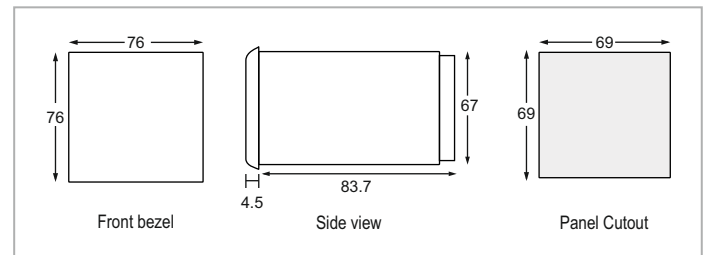
Technical specifications

Display specifications	
Display	4+4 Digits
Height of digit	White digit : 16.7mm, Green digit : 9mm, 7 segment LED display
LED indication	OUT 1 : RH control ON ; AL 1 : Alarm
Input specifications	
Input signal	RH (HS-A-100)
Sampling time	250ms
Input filter (FTC)	0.2 to 10.0 sec
Resolution	0.1 / 1
Humidity unit	%RH
Output specifications	
RH control output	Relay contact (SPDT) : 10A @ 250V AC / 30V DC, resistive
RH alarm output	Relay contact (SPDT) : 10A @ 250V AC / 30V DC, resistive
Functional specifications	
Control action	ON - OFF control
Display offset adjustment	0.1 to 99.9°
Auxiliary supply specifications	
Supply voltage	90 to 270V AC / DC @ 50 / 60Hz
Power consumption	5 VA max @ 230V AC
Environment specifications	
Temperature	Operating : 0°C to 50°C; Storage : -20°C to 75°C
Humidity (non - condensing)	95% RH
Mechanical specifications	
Mounting	Panel
Weight	200 gms
Sensor Information	
Cable length	1 meter
Dimensions (mm)	52 x 28.8 x 18
Input range	5V DC
Weight	33 gms

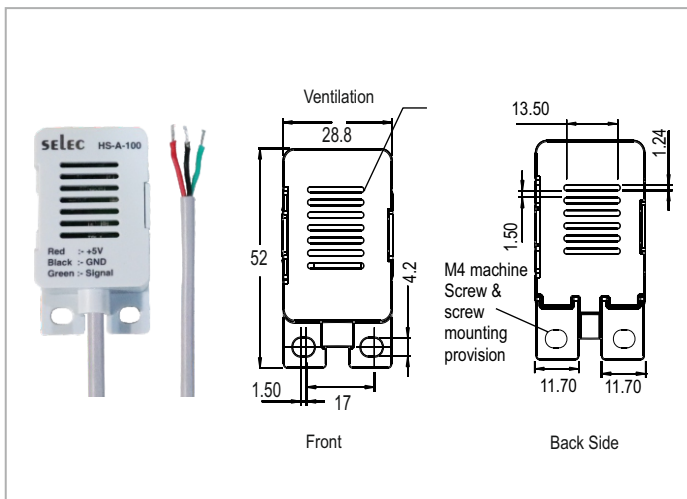
Terminal connections



Dimensions (All are in mm)

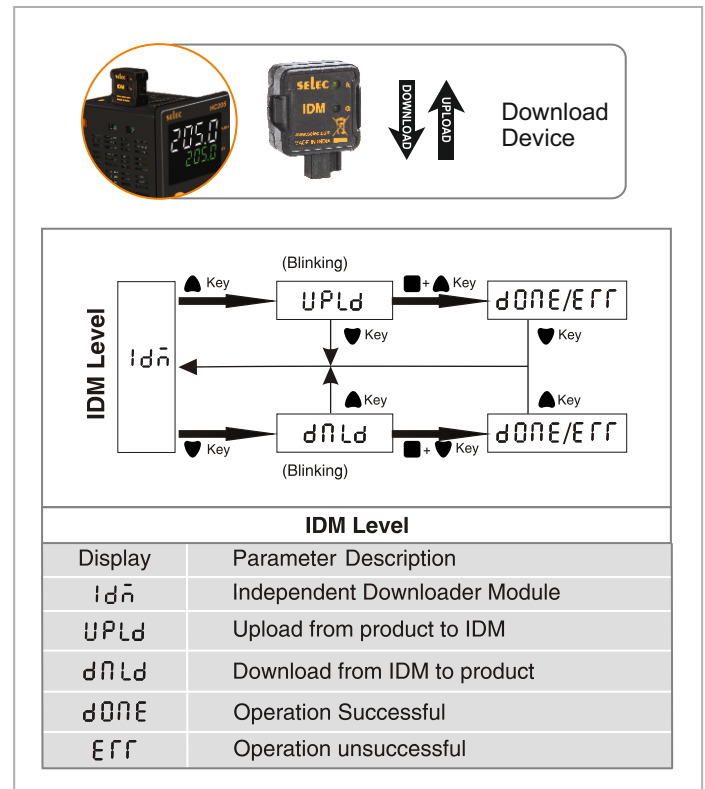


Sensor dimension (Top & Side)

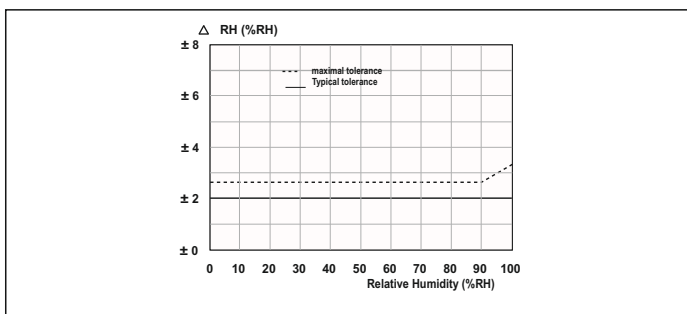


NOTE : Length of the cable can be increased by using compensation cable up to 3 meter. After that accuracy may vary by 1% / Meter.

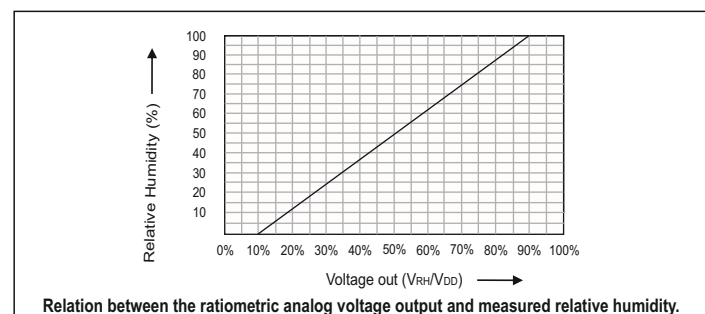
Independent Downloader module (IDM)



Humidity Sensor Performance



Tolerance of RH at 25°C



Ordering information

Product Code	Input	Control Output	Alarm	Supply Voltage	Certification
		Output 1			
HC205	RH	RELAY (10A)	RELAY (10A)	90 to 270V AC / DC	---