

# Compact VFD-L Series

**SELEC**<sup>®</sup>  
Creating Best Value

**NEW**



## User Manual

[www.selec.com](http://www.selec.com)

## PREFACE

Thank you very much for choosing the VFD-L series Compact Variable Frequency Drives (VFD). This manual will provide you with the detailed steps and precautions regarding installation, wiring, setting of functional parameters, routine maintenance, malfunction diagnosis and solution etc.

To utilize the drive to its full function and ensure the safety of both users and the product, please read this manual carefully before using the drive. Any incorrect operations may lead to fault, malfunction or shortened lifetime, even damage to the device or the people around it.

This manual is enclosed as an attachment. We request you to keep it safely considering its importance in commissioning, inspecting, and maintaining the product. In the pursuit of constant improvement, kindly note, that this manual is subject to modifications without any notice.

---

**CONTENTS**

<b>1. Safety precautions</b>	5
1.1 Warning	5
1.2 Safety guidelines	5
1.3 Delivery and Installation	5
<b>2. Installation</b>	6
2.1 Installation environment	6
2.2 Installation instructions and space limit	6
<b>3. Wiring</b>	7
3-1 Connection methods for assorted devices	7
3-2 Standard Wiring Diagram	8
3-3 Description of Terminals	9
3-3-1 Connection of Input Power Terminals	9
3-3-2 Connection of Output Power Terminals	9
3-3-3 Earth terminal PE	10
3-4 Explanation of control loop terminals	10
<b>4. Keyboard and Panel</b>	11
4.1 Illustration of Keypad	11
4.2 Units LEDs descriptions	11
4.3 Function LEDs descriptions	12
4.4 Keys Description	12
4.5 Illustrations of keyboard operations	13
<b>5. Running</b>	14
5-1 Commissioning	14
5-1-1 Check before running	14
5-1-2 Commissioning	14
5-1-3 Quick Commissioning	15
<b>6. Specifications of functional parameters</b>	16
6-1 Functional Parameters Table	16
P0- Basic Functional Parameters	16
P1- Keypad Parameters	17
P2- Start and Stop Parameters	18
P3- Motor Parameters	19
P4- Scalar Control Parameters	19
P5- Input Function Parameters	20
P6- Output Function Parameters	21
P7- PI Control Parameters	22

---

P8- Simple PLC and multispeed options	23
P9- Protection Parameters	24
PA- Fault History	25
Pb- Communication parameters	26
PC- Enhanced Parameters	26
6-2 Detailed Explanation of Functional Parameters-	27
P0- Basic Parameters	27
P1- Keypad Parameters	30
P2- Start and Stop Parameters	32
P3- Motor Parameters	36
P4- Scalar Control Parameters	36
P5- Input Function Parameters	39
P6- Output Function Terminals	45
P7- PI Control Parameters	47
P8- Simple PLC and Multispeed parameters	49
P9- Protection Parameters	52
PA- Fault History	55
Pb- Communication Parameters	55
PC- Enhanced parameters	56
<b>7. Fault Handling And Troubleshooting</b>	<b>58</b>
7.1 Malfunction and solutions	58
7.2. Common Faults and processing schemes	59
<b>8. Maintenance</b>	<b>60</b>
8.1. General maintenance and upkeep	60
8.2. Inspection and replacing damaged parts	60
8.3. Storage	61
8.4. Product Warranty	61
<b>9. External Communication</b>	<b>62</b>
9.1. Protocol Content	62
9.2. Protocol Instructions	62
9.3. Frame Structure	63
9.4 Command code and data description	64
9.5 Read-write rules of parameter address for function code	66
<b>10. Appendix</b>	<b>67</b>
10.1 Specifications	67
10.2 Product Dimensions	68

## 1. Safety Precautions

Read this manual carefully and follow all safety precautions before moving, installing, operating and servicing the variable frequency drive (VFD). Ignoring the safety protocols can result in damage or loss of life or property.

### 1.1 Warning

People working on the device should take part in professional electrical and safety training, receive Relevant certification and be familiar with all steps and requirements of installing, commissioning, operating and maintaining the device to avoid any hazards.

### 1.2 Safety guidelines

- Power must be shut off completely before performing any kind of wiring on the control or power terminals.
- Ground wire must be connected correctly.
- In any case the AC power lines SHOULD NOT be connected to the output terminals viz. U, V or W.
- Do not touch the internal components for your own and the product's safety.
- Only qualified professional engineers are allowed to assemble, wire, commission, or maintain the converter.
- The drive must be installed in an appropriate operating environment and far away from humidity or water drops; care must be taken to protect it from direct sunlight or being overheated.
- Do not conduct the procedure of inspection or maintenance until the drive has been shut down for at least 3 minutes or as mentioned on the drive terminal cover.
- No permission is granted to change or modify the internal components or circuits.

### 1.3 Delivery and Installation

Pre-delivery inspection for each drive is implemented strictly by our QC Department. The packaging is adequately strengthened with special packing materials which to protect it from justifiable levels of harm that could come its way during handling and transportation. However, as an added precaution, we request you to kindly check the following points upon receipt of the device-

- Please check for any damage caused during the transportation.
- Please check if the enclosed documents are all inside the case namely the manual and test report.
- Please check if this is the model of the product for which you placed an order.
- Please check if you have received the right converter accessories as per your order.

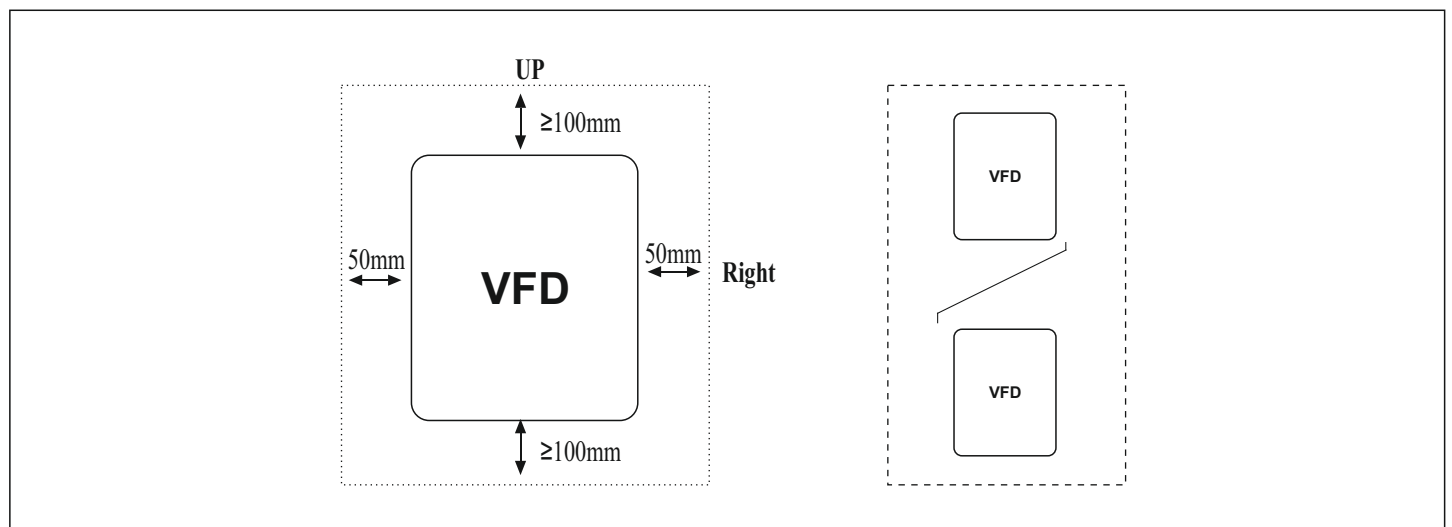
## 2. Installation

### 2.1 Installation environment

- The surroundings must be free from dust, caustic/corrosive/inflammable gases/liquids
- There shouldn't be any metal particulates in the surrounding air
- The ambient temperature should be  $-10^{\circ}\text{C} \sim +55^{\circ}\text{C}$ . Sufficient ventilation should be available.
- Ensure a solid base without vibrations.

### 2.2 Installation instructions and space limit

- To minimize the heat effect on each other, if two or more converters are installed in the same control cabinet, they should be installed horizontally abreast; A baffle plate must be set up between them if, for some reason, they have to be installed vertically.
- It should be installed on a fire and heatproof frame, for example, a metal frame, to prevent risks of a fire hazard.
- It should be mounted by screws vertically; upside-down, slant or horizontal mountings are not allowed.
- Ensure spare space around the drive to enable adequate ventilation for it to maintain its temperature during operation.
- Ventilation must be taken into consideration to ensure that ambient temperature Within the operating range when the drive is installed inside a control cabinet.



### 3.WIRING

For the safety of the operator as well as devices, only the professional engineers are allowed to operate it. Please pay attention to the following precautions while wiring.

Power must be shut off before wiring.

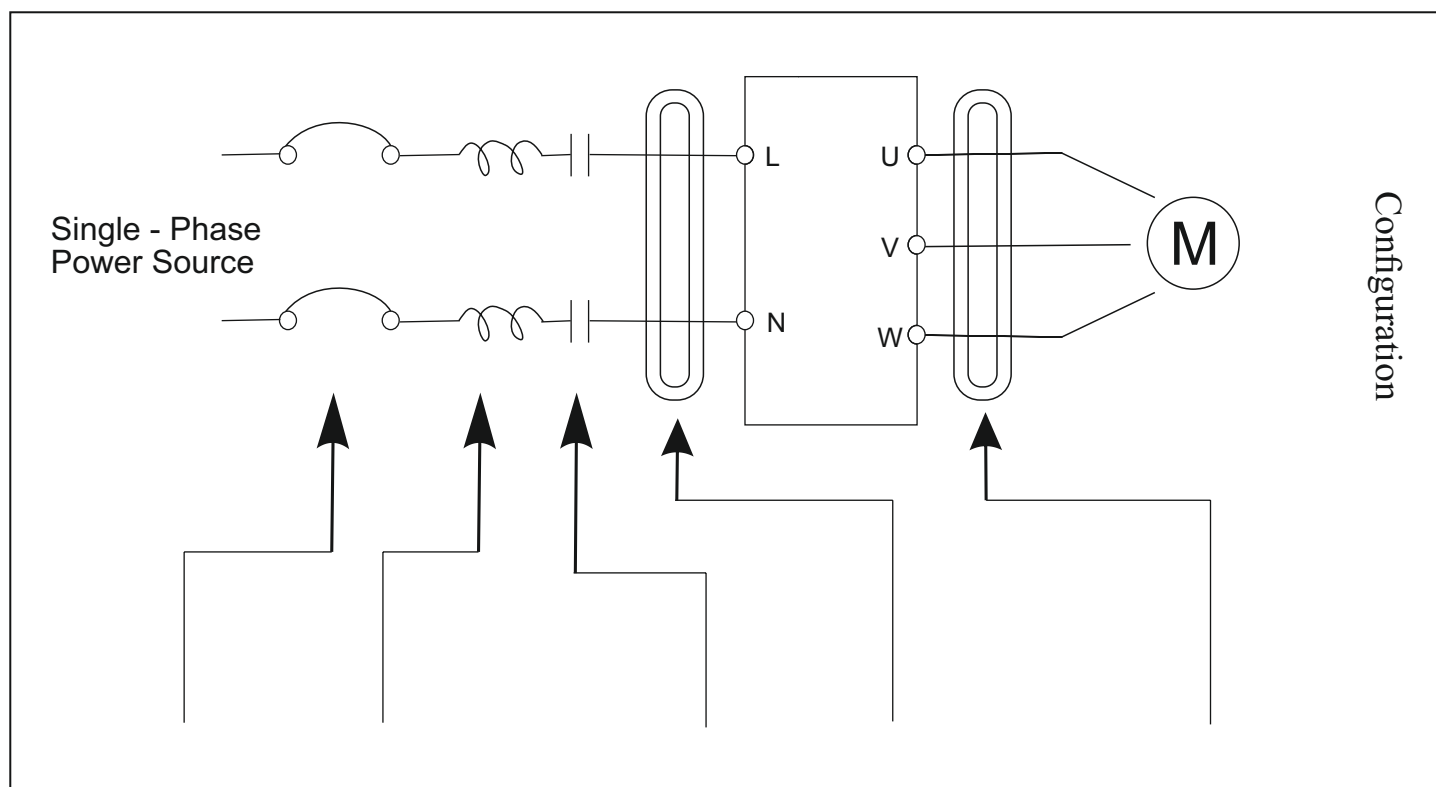
PE earth terminal must be connected with the ground.

The rated voltage must conform to AC voltage. Power cords must be connected with the terminal L & N while motor lines should be connected with terminal U, V and W; any incorrect connection may cause damage to the internal components of the VFD .

The reliability of the terminals and wires must be evaluated before wiring, and screws for the terminals of the major loop must be fastened solidly.

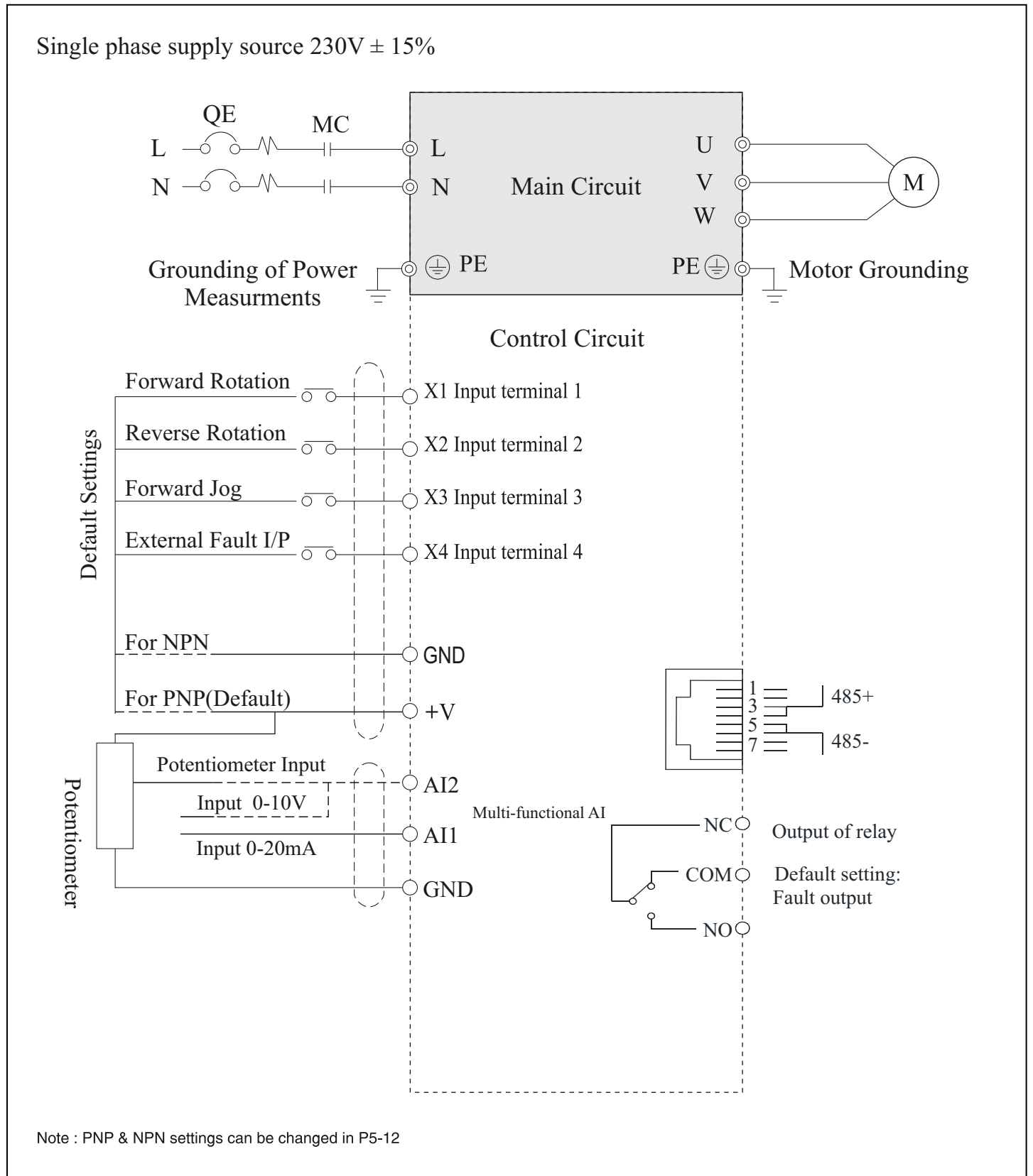
To avoid electric shock, do not touch the terminals of the major loop.

#### 3-1 Connection methods for assorted devices




Name	Chopper	AC reactor	Electromagnetic contactor	Filter	Filter
Descriptions	Applicable model should be selected; its rated current must be no less than 1.5 times the rated current of VFD	it's applied to the improvement of input power factors	it's used to control the switching of power source	it's used to reduce the radio interference generated by VFD	It's used to reduce the radio interference generated by VFD. But it's not applicable if the leads is too short

### 3-2 Standard Wiring Diagram





### 3-3 Description of Terminals

Terminal symbol (code)	Functional descriptions
L,N	Terminals for Single-phase AC input 220V
U, V, W	Output terminals, connect with three-phase AC electromotor
	Terminal of ground (Earth terminal)

For safety's sake, please connect wires according to the regulations of National Electrical Code while proceeding wiring.

#### 3-3-1 Connection of Input Power Terminals

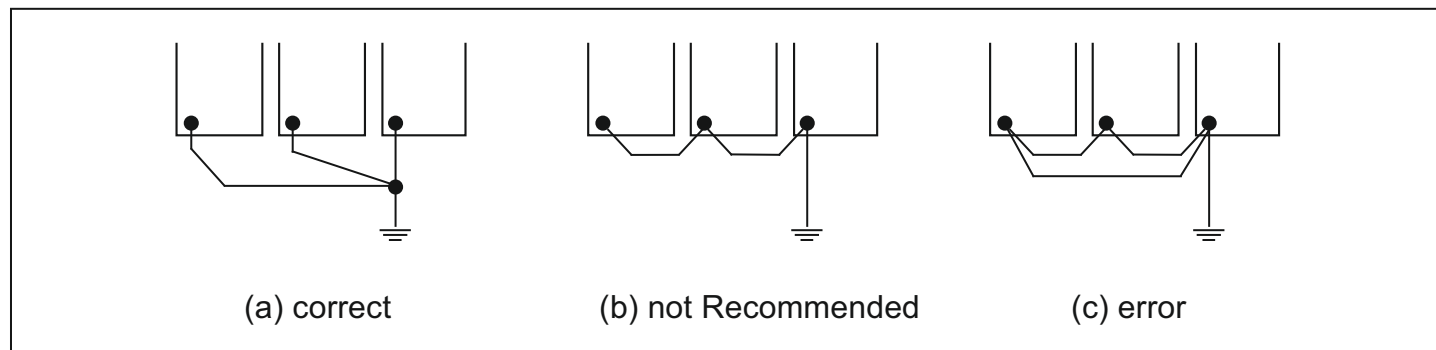
An additional breaker/chopper must be connected in series with the terminals of the major loop (L, N and U, V, W). For better running, an electromagnetic contactor should be connected with them in series so that it could cut off the power while the protection function of the converter is activated (Tip: R-C surge absorbers should be added to the ends of the electromagnetic contactor). If an additional earth leakage circuit breaker (ELCB) is installed as a protective device for electric leakage, the sensitivity of current should be more than 200mA while actuation time should be no less than 0.1 second to prevent ELCB from malfunctioning. AC reactor must be connected with the input terminals in cases where the rectifiers could be damaged by high-voltage and high-current input from the grid, which could also improve the input power factors. Do not control the converter by disconnecting the major loop. Instead of that, RUN/STOP buttons on the keyboard or control loop terminals should be applied to the control of the converter; if it has to be controlled by that way, it can be implemented only once every one hour. It's feasible to reduce the interference with devices nearby by connecting an additional noise filter with the input terminals. Do not connect VFD driven by three-phase power to single-phase source.

#### 3-3-2 Connection of Output Power Terminals

Output terminals must be connected to the three-phase motor in the correct order; if the motor rotates in the wrong direction, any two wires among U, V and W electrical wiring can be switched with each other. In any case, do not connect output terminals to a phasing capacitor or surge-absorber. When the length of wire connecting converter with motor is more than 50 meters, there may be a large amount of electric leakage caused by the capacitors between the wiring, which may lead to over current; additionally, to protect the insulation of motor from being damaged, an additional output reactor must be installed. An additional noise filter can be installed to reduce the electromagnetic interference of output if surroundings can be easily affected by the converter; interference can also be minimized by reducing its carrier frequency.

### 3-3-4 Earth terminal PE

For safety's sake, earth terminal PE must be well grounded to reduce noise. Please use the standard ground lead which should be as short and thick as possible (its grounding impedance should be no more than 10Ω). Do not connect its ground lead with that of a high-current loading machine to the ground at the same time, for example, welder or high-power motor, they must be grounded separately. All the converters must be connected to the same earth terminal directly if two or more converters are installed together; please refer to the wiring layout below



### 3-4 Explanations of control loop terminals

AI1	AI2	GND	+V	X1	X2	X3	X4	GND	NC	COM	NO
-----	-----	-----	----	----	----	----	----	-----	----	-----	----

Items	Symbol	Terminal Name	Description/ Default Setting
1	AI1	Analog Input Terminal - 1	Terminal for Analog Input Current (0-20mA) Signal
2	AI2	Analog Input Terminal - 2	Terminal for Analog Input (0-10 V) / POT (0-24 V) signal
3	GND	Control Terminals Ground	Ground for control terminals
4	X1	Multifunction Input Terminal 1	Default Setting: FWD
5	X2	Multifunction Input Terminal 2	Default Setting: REV
6	X3	Multifunction Input Terminal 3	Default Setting: FWD JOG
7	X4	Multifunction Input Terminal 4	Default Setting: Ext Fault
8	GND	Control Terminals Ground	Reference for control terminal
9	+V	24V supply	+24VDC / 50mA
10	NC	Multifunction Relay Output NC terminal	Default setting: Fault Output
11	COM	Multifunction Relay Output COM terminal	
12	NO	Multifunction Relay Output NO terminal	

Multi-core shielded cable or stranded wire should be used to connect control terminals. The terminal which is closed to the VFD must be connected to earth terminal PE. When wiring, the control cables must be kept away from the main circuit and high-current circuit by at least 30cm. Instead of parallel wiring, vertical wiring should be adopted to prevent the drive from malfunctions resulting from external interference.

## 4. Keyboard and Panel

### 4.1 Illustration of Keypad









### 4.2 Units LEDs descriptions

LED	Function
V	Denotes that the value being shown is a voltage
A	Denotes that the value being shown is a current
Hz	Denotes that the value being shown is a frequency

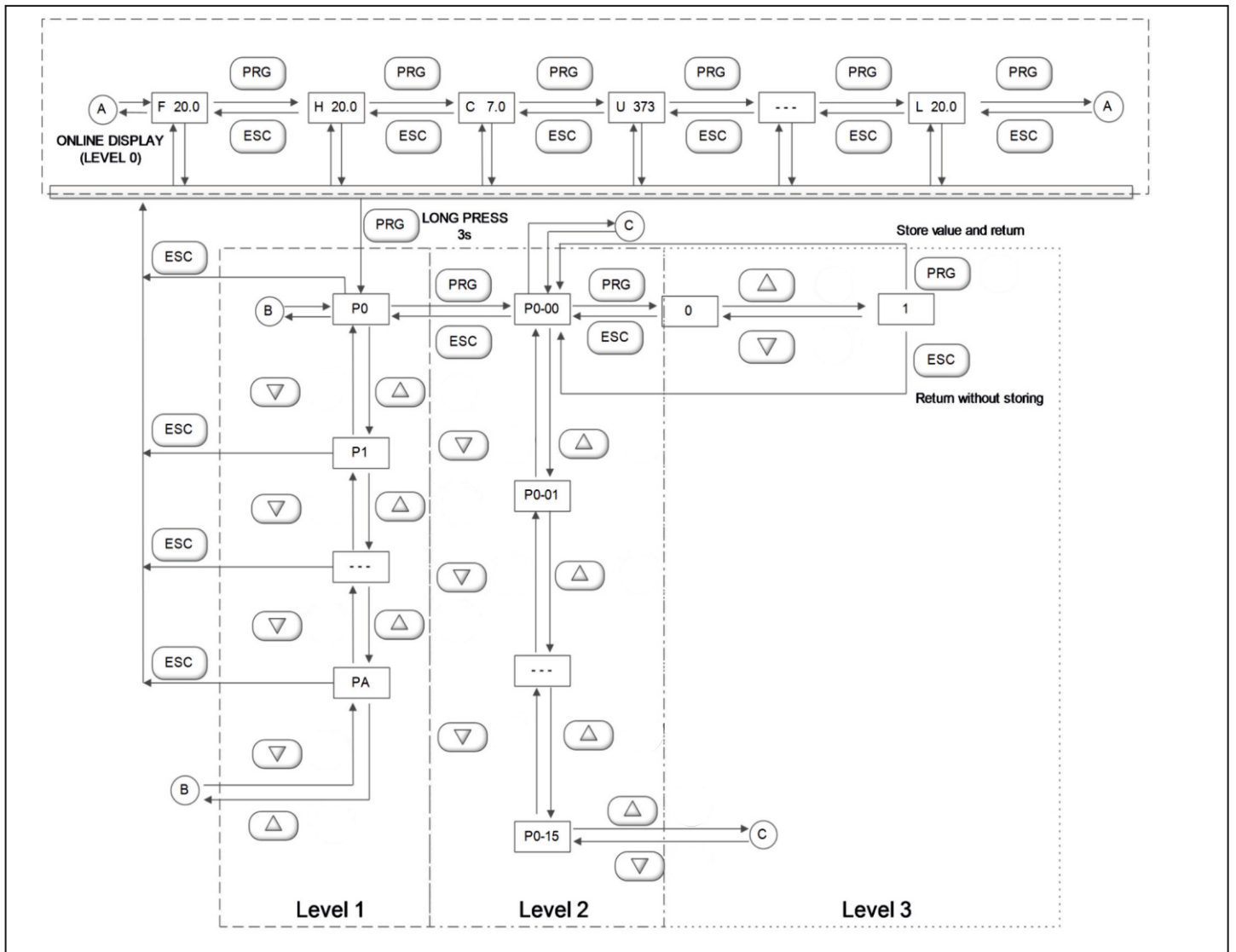
### 4.3 Function LEDs descriptions

LED	Function
RUN	Denotes that the drive is in RUN operation
F/R	Denotes the direction of operation of the drive. OFF - Forward ON - Reverse
L/R	Denotes the source of control for the drive. OFF - Local control using the keypad , ON - Remote control
ERR	Denotes presence of error condition BLINKING - Pre-alarm condition triggered STEADY - Fault condition triggered

### 4.4 Keys Description

LED		Function
ESC		1. Go to the previous programming level, 2. Cycle online display pages
PRG		1. Enter Programming menu, 2. Save setting value
RUN/STP		1. Start Drive operation 2. Stop Drive operation 3. Fault Reset
Panel Potentiometer		1. Clockwise- increment frequency being shown on screen 2. Anti-Clockwise- decrement frequency being shown on screen
Up key (△)		1. Increment displayed editable value
Down key (▽)		2. Decrement displayed editable value

### 4.5 Illustrations of keyboard operations



## 5. RUNNING

### 5-1 Commissioning

#### 5-1-1 Check before running

- Please confirm that there is no short circuit between terminals or any exposed charged component.
- Do not connect the unit to the power supply until the enclosure is assembled and closed.
- Please check whether the wiring is correct or not, especially output terminals (U, V, W) which mustn't be connected to the power source; additionally, earth terminals PE must be well-grounded as well.
- Please confirm that all the components, such as terminals, pluggable connectors, or screws are fastened.
- Make sure that all the switches are off before it's connected to a power source, and that the VFD will not malfunction or be accidentally started when switched on.
- It is recommended to use appropriately sized lugs instead of free wires to prevent rogue strands from creating a short between adjacent terminals.

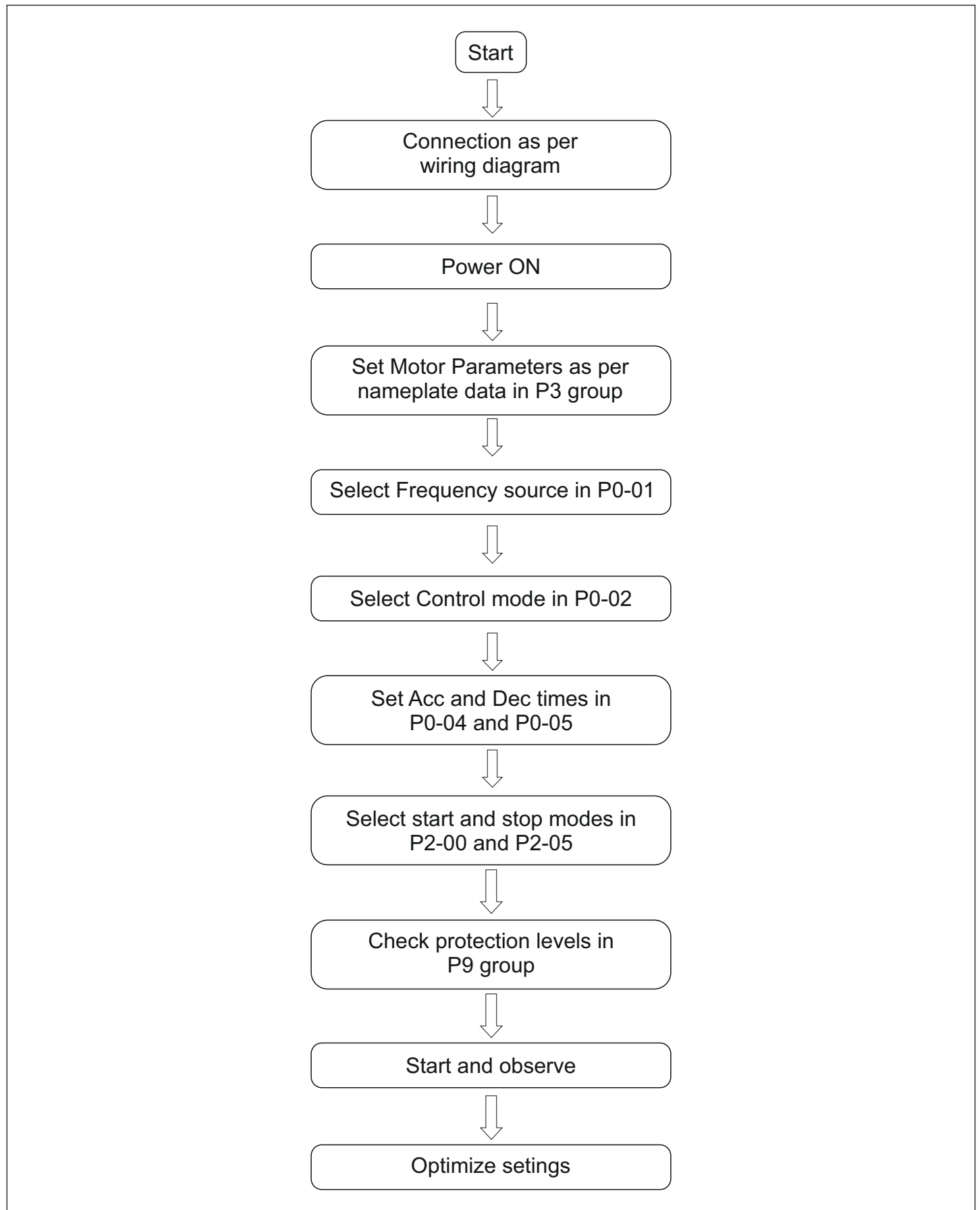
#### 5-1-2 Commissioning

- The drive wirings must be checked and confirmed comprehensively before commissioning.
- Its default running mode is to be controlled through the keyboard and panel.
- It is recommended that post initial settings, the user start by checking the jogging function. The default jog frequency is 5.0Hz.
- Check whether the motor is rotating in the right direction.
- Check if its rotation is smooth (No abnormal noise or vibration should be observed).
- Check if the acceleration or deceleration of the motor is stable.
- If the drive functions properly, please preset its operating frequency first; please press the START button to start running and check whether its output current/voltage is normal.
- Only then start using the drive in your regular operations.

If the drive or the system as a whole responds unexpectedly, use the RUN/STOP key to stop the operation of the drive immediately. Meanwhile, check Chapter 7 for a guide on debugging the commonly faced faults.

Even after drive operation is stopped, there could be a risk of electrical shock on the terminals of the unit as long as the mains are connected. It is therefore strongly advised that any kind of operation on the terminals should only be undertaken after switching OFF the mains and waiting for adequate time for the DC bus capacitors to discharge.

### 5-1-3 Quick Commissioning



## 6. SPECIFICATIONS OF FUNCTIONAL PARAMETERS

### 6-1 Functional Parameters Table

For ease of programming, the settings have been classified into basic and advanced as mentioned in the table below.

“○”: It indicates that the specified parameter can be varied irrespective of the drive’s run-state

“●”: It indicates that specified code parameters cannot be changed or modified while the drive is running.

“×”: It indicates that code parameters are read-only, which cannot be changed or modified.

### P0- BASIC FUNCTIONAL PARAMETERS

FX Code	Description	Settings and Range	Default Value	Basic Setting	Modification	Modbus Address
P0-00	Parameter Setting Mode	0: Display Only Basic Parameters 1: Display All Settable Parameters 2: Disable Parameter Settings 3: Factory Reset	0	Yes	●	40000
P0-01	Frequency setting mode	0: Frequency Setting-UP/DOWN Key 1: Panel Potentiometer 2: External AI1Current; 3: External AI2 Volt 4: External AI2 POT; 5: PI Regulation 6: Terminal setting Step Size 7: Terminal Setting step size with Zero frequency after stop 8: Communication	1	Yes	●	40001
P0-02	Control mode for running	0: Controlled by Keyboard 1: Controlled by Terminal & Stop key disabled 2: Controlled by Terminal & Stop key enabled 3: Controlled by Communication	0	Yes	●	40002
P0-03	Frequency setting	Lower limiting Frequency (P0-10)- Upper limiting Frequency (P0-09)	50.0 Hz	Yes	○	40003
P0-04	Acc. time 0	0.1s – 999.9 s	10.0 s	Yes	○	40004
P0-05	Dec. time 0	0.1s – 999.9 s	10.0 s	Yes	○	40005
P0-06	Default running direction	0: Default direction 1: Reverse direction	0	Yes	●	40006
P0-07	Anti-reversion setting	0: Disable, 1: Enable	0	Yes	●	40007
P0-08	Max. Frequency	Upper Limiting Frequency (P0-09) - 400 Hz	60.0 Hz	Yes	●	40008
P0-09	Upper limiting frequency	Lower Limiting Frequency (P0-10) - maximum Frequency (P0-08)	50.0 Hz	Yes	●	40009



FX Code	Description	Settings and Range	Default Value	Basic Setting	Modification	Modbus Address
P0-10	Lower limiting frequency	0.0Hz- Upper limiting Frequency (P0-09)	0.0 Hz	Yes	●	40010
P0-11	Jog Frequency	0.0Hz- Upper limiting Frequency (P0-09)	5.0 Hz	Yes	○	40011
P0-12	Carrier frequency	2-10 KHz	5KHz	No	●	40012
P0-13	Auto storage of keyboard frequency in case of power down	0: Retention after Power Down 1: No Retention on Power Down	0	No	○	40013

### P1- KEYPAD PARAMETERS

FX Code	Description	Settings and Range	Default Value	Basic Setting	Modification	Modbus Address
P1-00	Default startup display parameter	0: Setting Frequency 1: Output Frequency 2: Bus Voltage 3: Rotational Speed of Motor 4: IGBT Temperature 5: Output Voltage 6: Output Power 7: Linear Speed 8: Count Value 9: PI Index Value 10: PI Feedback Value 11: Input Terminal Status 12: Output Terminal Status 13: Power	0	Yes	○	40100
P1-01	Selection of display information	Count From 0 to 13 as given in P1-00	3	Yes	○	40101
P1-02	Display Coefficient of Frequency	0.1 - 10.0	1.0	No	○	40102
P1-03	Display Coefficient of Mechanical Speed	0.1 - 25.0	1.0	No	○	40103
P1-04	Display Coefficient of Linear Speed	0.1 - 25.0	1.0	No	○	40104

FX Code	Description	Settings and Range	Default Value	Basic Setting	Modification	Modbus Address
P1-05	Password	0: Enable ; 1: Disable	1	Yes	○	40106
P1-06	Set Password	1-9999	1	Yes	○	40107
P1-07	Frequency Switch Source	0: Keypad UP/DOWN keys 1: Panel Potentiometer 2: External AI1 Current 3: External AI2 Voltage 4: External AI2 POT 5: Communication	0	Yes	○	40108
P1-08	Reference Frequency	Lower Limit Frequency (P0-10) to Upper Limit Frequency (P0-09)	0.0 Hz	Yes	○	40109

## P2- START AND STOP PARAMETERS

FX Code	Description	Settings and Range	Default Value	Basic Setting	Modification	Modbus Address
P2-00	Start mode	0: Direct Start 1: DC Braking Start	0	Yes	●	40200
P2-01	Starting frequency	0.0 – 10.0 Hz	0.5 Hz	Yes	●	40201
P2-02	Retention time for starting	0.0 – 50.0 s	0 s	Yes	●	40202
P2-03	Braking current before starting	0 – 150 %	50 %	Yes	●	40203
P2-04	Braking time before starting	0.0 – 50.0 s	0 s	Yes	●	40204
P2-05	Stop mode	0: Coast to Stop 1: Ramp to Stop 2: DC Braking Stop	1	Yes	●	40205
P2-06	Start frequency of DC braking	0 – 10.0 Hz	2.0 Hz	Yes	●	40206
P2-07	Braking current for stopping	0 - 150 %	50 %	Yes	●	40207
P2-08	Braking time for stopping	0.0 – 50.0 s	0.0 s	Yes	●	40208
P2-09	Demagnetizing time	0.0 – 30.0 s	0.1 s	Yes	●	40209
P2-10	Dead time between FWD/REV	0.0 – 50.0 s	0.2 s	Yes	●	40210

P2-11	Lower frequency limit crossing action	0: Running with low Limit Frequency 1: Stopping 2: Standby 3: Hibernation	0	Yes	•	40211
P2-12	Hibernation Restore Delay Time	0 – 50.0 s	0.0 s	Yes	•	40212

### P3 – MOTOR PARAMETERS

FX Code	Description	Settings and Range	Default Value	Basic Setting	Modification	Modbus Address
P3-00	Rated frequency	F3 (P4-05) – 400.0 Hz	50.0 Hz	Yes	•	40300
P3-01	Rated Voltage	200-250 VAC	Depends on Model	Yes	•	40301
P3-02	Rated Current	0.1- 5 A	Depends on Model	Yes	•	40302
P3-03	Rated Power	Depends on Model	Depends on Model	Yes	•	40303
P3-04	Rated Speed	1-36000	1500	Yes	•	40304
P3-05	No Load Current	0.1 - rated current (P3-02)	Depends on Model	Yes	•	40306

### P4 – SCALAR CONTROL PARAMETERS

FX Code	Description	Settings and Range	Default Value	Basic Setting	Modification	Modbus Address
P4-00	V/f curve setting	0: General V/f 1: 1.5 Power V/f 2: 1.7 Power V/f 3: 2 Power V/f 4: Multipoint V/f	0	Yes	•	40400
P4-01	V/f Intermediate Frequency 1 (F1)	0.0 Hz – F2 (P4-03)	1.0 Hz	Yes	•	40401
P4-02	V/f Intermediate Voltage 1	0 – Rated Voltage (P3-01)	5 V	Yes	•	40402
P4-03	V/f Intermediate Frequency 2(F2)	F1 (P4-01) – F3 (P4-05)	5.0 Hz	Yes	•	40403
P4-04	V/f Intermediate Voltage 2	0 – Rated Voltage (P3-01)	25 V	Yes	•	40404
P4-05	V/f Intermediate Frequency 3(F3)	F2 (P4-03) – Rated Frequency (P3-00)	25.0 Hz	Yes	•	40405
P4-06	V/f Intermediate Voltage 3	0 – Rated Voltage (P3-01)	115 V	Yes	•	40406
P4-07	Torque boost	0-15.0 %	1.00 %	Yes	•	40407

FX Code	Description	Settings and Range	Default Value	Basic Setting	Modification	Modbus Address
P4-08	AVR Function	0: Disabled 1: Always Enable 2: Only Enable during deceleration	0	Yes	●	40408
P4-09	Energy-efficient running (EER)	0: Disable ; 1: Enable	0	Yes	●	40409

### P5- INPUT FUNCTION PARAMETERS

FX Code	Description	Settings and Range	Default Value	Basic Setting	Modification	Modbus Address
P5-00	Lower Limit OF AI1	0.0 – Upper Limit of AI1 (P5-02)	0.5 %	Yes	○	40500
P5-01	Corresponding Setting of AI1 Lower Limit	0.0 - Corresponding Setting of AI1 Upper Limit (P5-03)	0.0 %	Yes	○	40501
P5-02	Upper Limit OF AI1	Lower Limit of AI1(P5-00)-100%	100.0 %	Yes	○	40502
P5-03	Corresponding Setting of AI1 Upper Limit	Corresponding Settings of AI1 Lower Limit (P5-01) - 100%	100.0 %	Yes	○	40503
P5-04	AI1 Input Filtering Time	0.0 s- 10.0 s	0.1 s	Yes	○	40504
P5-05	AI1 Signal loss threshold	0.0 to Lower Limit of AI1 (P5-00)	0.5 %	Yes	○	40505
P5-06	Lower Limit OF AI2	0.0 - Upper Limit of AI2 (P5-08)	0.5 %	Yes	○	40506
P5-07	Corresponding Setting of AI2 Lower Limit	0.0 - Corresponding Settings of AI2 Upper Limit(P5-09)	0.0 %	Yes	○	40507
P5-08	Upper Limit OF AI2	Lower Limit of AI2 (P5-06) - 100%	100.0 %	Yes	○	40508
P5-09	Corresponding Setting of AI2 Upper Limit	Corresponding Setting of AI2 Lower Limit (P5-07) - 100%	100.0 %	Yes	○	40509
P5-10	AI2 Input Filtering Time	0.0s- 10.0 s	0.1 s	Yes	○	40510
P5-11	AI2 Signal Loss Threshold	0.0 - Lower Limit of AI2 (P5-06)	0.5 %	Yes	○	40511
P5-12	PNP/NPN Selection	0: NPN; 1: PNP	1	Yes	●	40512

FX Code	Description	Settings and Range	Default Value	Basic Setting	Modification	Modbus Address
P5-13	Multifunction Input X1	0: Disable 1: Forward Rotation 2: Reverse Rotation 3: Three-Wire Control 4: Multiphase Reference Velocity 1 5: Multiphase Reference Velocity 2 6: Multiphase Reference Velocity 3	1	Yes	●	40513
P5-14	Multifunction Input X2	7: Forward JOG 8: Reverse JOG 9: Increasing Frequency 10: Decreasing Frequency 11: Acc- Dec Time option 1 12: Acc- Dec Time option 2	2	Yes	●	40514
P5-15	Multifunction Input X3	13: Stop of Acc- Dec 14: External Fault Input 15: Fault Reset 16: Regular Stopping 17: External Count Value Input	7	Yes	●	40515
P5-16	Multifunction Input X4	18: Count Clear 19: Program Run 20: Pause of Program Run 21: DC Brake 22: E-Stop 23: Hand Function	14	Yes	●	40516
P5-17	Terminal Control Mode	0: Two-Wire Control Mode 1 1: Two-Wire Control Mode 2 2: Three-Wire Control Mode 1 3: Three-Wire Control Mode 2	0	Yes	●	40518
P5-18	Terminal Filtering Time	2 ms- 100 ms	10 ms	No	○	40519
P5-19	Terminal Frequency updation Step Size	0.0- Upper Limit of Frequency (P0-09)	0.1 Hz	No	○	40520

**P6- OUTPUT FUNCTION PARAMETERS**

FX Code	Description	Settings and Range	Default Value	Basic Setting	Modification	Modbus Address
P6-00	Relay Output Options	0: Disable; 1: Running; 2: Direction 3: Fault Output; 4: Pre-Alarm; 5: Standby; 6: Frequency arrived 7: Frequency detected 8: Upper Limit Frequency 9: Lower Limit Frequency 10: Setting Count Value Received 11: Specified Count Value Received 12: AI1 signal Loss 13: AI2 signal Loss	3	Yes	○	40600

**P7- PI CONTROL PARAMETERS**

Fun. Code	Description	Settings and Range	Default Value	Basic Setting	Modification	Modbus Address
P7-00	PI reference source	0: Keyboard 1: Analog channel AI1 Current 2: Analog channel AI2 Voltage 3: Analog channel AI2 Potentiometer	0	No	●	40700
P7-01	PI Set value	0.0 % to 100.00 %	0.00 %	No	●	40701
P7-02	Feedback source	0: AI 1 Current 1: AI 2 Voltage	0	No	●	40702
P7-03	PI output characteristics options	0: Positive; 1: Negative	0	No	●	40703
P7-04	Proportional gain	0.0 to 10.0	1.0	No	●	40704
P7-05	Integral time	0.0 to 100.0 s	1.0 s	No	●	40705
P7-06	Deviation limit	0.0 to 20.0	2.0	No	●	40706
P7-07	Sampling Time	0.1 to 100.0 s	0.2 s	No	●	40707
P7-08	Feedback disconnection value	0.1 % to 50.0 %	0.1 %	No	●	40708
P7-09	Feedback disconnection detection time	0.1 s to 100.0 s	10.0 s	No	●	40709

**P8- SIMPLE PLC AND MULTISPEED OPTIONS**

Fun. Code	Description	Settings and Range	Default Value	Basic Setting	Modification	M-bus Address
P8-00	Program run mode	0: Disabled; 1: Program stops after running for one cycle 2: Program runs for one cycle & then continues at last operating frequency 3: Circulatory running of the program	0	Yes	●	40800
P8-01	First phase speed	Lower Limiting Freq <sup>n</sup> (P0-10) to Upper Limiting Freq <sup>n</sup> (P0-09)	11.0 Hz	No	○	40801
P8-02	Second phase speed	Lower Limiting Freq <sup>n</sup> (P0-10) to Upper Limiting Freq <sup>n</sup> (P0-09)	12.0 Hz	No	○	40802
P8-03	Third phase speed	Lower Limiting Freq <sup>n</sup> (P0-10) to Upper Limiting Freq <sup>n</sup> (P0-09)	13.0 Hz	No	○	40803
P8-04	Fourth phase speed	Lower Limiting Freq <sup>n</sup> (P0-10) to Upper Limiting Freq <sup>n</sup> (P0-09)	14.0 Hz	No	○	40804
P8-05	Fifth phase speed	Lower Limiting Freq <sup>n</sup> (P0-10) to Upper Limiting Freq <sup>n</sup> (P0-09)	15.0 Hz	No	○	40805
P8-06	Sixth phase speed	Lower Limiting Freq <sup>n</sup> (P0-10) to Upper Limiting Freq <sup>n</sup> (P0-09)	16.0 Hz	No	○	40806
P8-07	Seventh phase speed	Lower Limiting Freq <sup>n</sup> (P0-10) to Upper Limiting Freq <sup>n</sup> (P0-09)	17.0 Hz	No	○	40807
P8-08	Runtime of principal frequency	0.0-999.9	0.0	No	○	40808
P8-09	First phase time	0.0-999.9	0.0	No	○	40809
P8-10	Second phase time	0.0-999.9	0.0	No	○	40810
P8-11	Third phase time	0.0-999.9	0.0	No	○	40811
P8-12	Fourth phase time	0.0-999.9	0.0	No	○	40812
P8-13	Fifth phase time	0.0-999.9	0.0	No	○	40813
P8-14	Sixth phase time	0.0-999.9	0.0	No	○	40814
P8-15	Seventh phase time	0.0-999.9	0.0	No	○	40815
P8-16	Time unit of multi-velocity	0: Seconds; 1: Minutes 2: Hours	0	No	●	40816
P8-17	Running direction of programs	0-255 BIT0-7 indicates directions for 0-7 (0:FWD 1:REV)	0	No	●	40817
P8-18	Acc Time for 0-3 phase	0-255 BIT0-7 indicates Acc times for 0-3 (0:FWD 1:REV)	0	No	○	40818
P8-19	Dec time for 4-7 phase	0-255 BIT0-7 indicates Dec times for 4-7 (0:FWD 1:REV)	0	No	○	40819

**P9- PROTECTION PARAMETERS**

<b>Fun. Code</b>	<b>Description</b>	<b>Settings and Range</b>	<b>Default Value</b>	<b>Basic Setting</b>	<b>Modification</b>	<b>M-bus Address</b>
P9-00	Overload protection enable	0: Disable; 1: Enable	1	Yes	●	40900
P9-01	Critical value of Overload protection	50 – 180 %	150 %	Yes	●	40901
P9-02	Overload detection time	0.1 to 999.9 s	60.0 s	Yes	●	40902
P9-03	Overload pre-alarm enabled	0: Disabled; 1: Enabled	0	No	●	40903
P9-04	Overload pre-alarm detection level	50 – P9:01	95 %	No	●	40904
P9-05	Overload pre-alarm detection time	0.1 to 999.9 s	0.1 s	No	●	40905
P9-06	Overvoltage protection enable	0: Disabled; 1: Enabled	1	Yes	●	40906
P9-07	Critical value of OV protection	220-275 VAC	265VAC	Yes	●	40907
P9-08	Overvoltage Trip time	0.1 to 999.9 s	0.1 s	Yes	●	40908
P9-09	Overvoltage pre-alarm enable	0: Disabled; 1: Enabled	0	No	●	40909
P9-10	Overvoltage pre-alarm detection level	220V - P9-07	245VAC	No	●	40910
P9-11	Overvoltage pre-alarm detection time	0.1 to 999.9 s	0.1 s	No	●	40911
P9-12	Undervoltage protection enable	0: Disabled; 1: Enabled	0	Yes	●	40912
P9-13	Critical value of Undervoltage protection	160 - 240 VAC	195 VAC	Yes	●	40913
P9-14	Undervoltage trip time	0.1 to 999.9 s	0.1 s	Yes	●	40914
P9-15	Undervoltage pre-alarm enable	0: Disabled; 1: Enabled	0	No	●	40915
P9-16	Undervoltage pre-alarm detection level	P9-13 to 240 VAC	200 VAC	No	●	40916
P9-17	Undervoltage pre-alarm detection time	0.1 to 999.9 s	0.1s	No	●	40917
P9-30	Automatic Current Limit	0: Disabled; 1: Enabled	0	Yes	●	40931
P9-31	Automatic Current Limit Level	50 – 150 %	150 %	No	●	40932



**PA- FAULT HISTORY**

<b>FX Code</b>	<b>Description</b>	<b>Settings and Range</b>	<b>Default Value</b>	<b>Basic Setting</b>	<b>Modification</b>	<b>Modbus Address</b>
PA-00	Previous fault code	0-20	0	Yes	×	41000
PA-01	2nd to previous fault code	0-20	0	Yes	×	41001
PA-02	3rd to previous fault code	0-20	0	Yes	×	41002
PA-03	Previous fault operating frequency	-	-	No	×	41003
PA-04	Previous fault Current	-	-	No	×	41004
PA-05	Previous fault bus voltage	-	-	No	×	41005
PA-06	Previous fault input state	-	-	No	×	41006
PA-07	Previous fault output state	-	-	No	×	41007

**PB- COMMUNICATION PARAMETERS**

<b>FX Code</b>	<b>Description</b>	<b>Settings and Range</b>	<b>Default Value</b>	<b>Basic Setting</b>	<b>Modification</b>	<b>Modbus Address</b>
Pb-00	Slave Address	1-127	1	Yes	●	41100
Pb-01	Modbus Data Format	0: 8-N-1; 1: 8-N-2; 2: 8-E-1 3: 8-E-2; 4: 8-O-1; 5: 8-O-2	0	Yes	●	41102
Pb-02	Response Delay	0- 200ms	20ms	No	●	41103
Pb-03	Serial Timeout	0: Disable; 1: Time Setting	0	No	●	41104
Pb-04	Serial Timeout Time Setting	0.1- 60.0s	5.0s	No	●	41105
Pb-05	Abnormal Action Selection	0: Warn & Continue Operation 1: Continue Operation Without Warning; 2: Alarm Shutdown (Coast to Stop); 3: Alarm Shutdown (Ramp to Stop)	0	No	●	41106

**PC- ENHANCED PARAMETERS**

<b>FX Code</b>	<b>Description</b>	<b>Settings and Range</b>	<b>Default Value</b>	<b>Basic Setting</b>	<b>Modification</b>	<b>Modbus Address</b>
PC-00	Acc. time 1	0.1 – 999.9 s	20.0 s	No	○	41200
PC-01	Dec. time 1	0.1 – 999.9 s	20.0 s	No	○	41201
PC-02	Acc. time 2	0.1 – 999.9 s	20.0 s	No	○	41202
PC-03	Dec. time 2	0.1 – 999.9 s	20.0 s	No	○	41203
PC-04	Acc. time 3	0.1 – 999.9 s	20.0 s	No	○	41204
PC-05	Dec. time 3	0.1 – 999.9 s	20.0 s	No	○	41205
PC-06	Jog Acc. Time	0.1 – 999.9 s	5.0 s	No	○	41206
PC-07	Jog Dec. Time	0.1 – 999.9 s	5.0 s	No	○	41207
PC-08	Hopping Frequency 1 Lower Limit	Lower Limit Frequency (P0-10) to Hopping Frequency 1 Upper Limit (PC-09)	0.0 Hz	No	○	41208
PC-09	Hopping Frequency 1 Upper Limit	Hopping Frequency 1 Lower Limit (PC-08) to Upper Limit Frequency (P0-09)	0.0 Hz	No	○	41209
PC-10	Hopping Frequency 2 Lower Limit	Lower Limit Frequency (P0-10) to Hopping Frequency 2 Upper Limit (PC-11)	0.0 Hz	No	○	41210
PC-11	Hopping Frequency 2 Upper Limit	Hopping Frequency 2 Lower Limit (PC-10) to Upper Limit Frequency (P0-09)	0.0 Hz	No	○	41211
PC-12	FDT Level Detection Value	Lower Limiting Frequency (P0-10) – Upper Limiting Frequency (P0-09)	0.0 Hz	No	○	41212
PC-13	FDT Level Lagged Value	Lower Limiting Frequency (P0-10) – FDT Level Detection Value (PC-12)	0.0 Hz	No	○	41213
PC-14	Amplitude of Frequency Arrival	Lower Limiting Frequency (P0-10) – Upper Limiting Frequency (P0-09)	0.0 Hz	No	○	41214
PC-15	Setting Count	1 – 9999	10	No	○	41215
PC-16	Specific Count	1 – Setting Count (PC-15)	10	No	○	41216

## 6-2 Detailed Explanation of Functional Parameters

### P0 : Basic parameters

<b>P0-00</b>	Parameter setting mode	0: Display Only Basic Parameters 1: Display All Settable Parameters 2: Disable Parameter Settings 3: Factory Reset	Default : 0
--------------	------------------------	---	-------------

For ease of use, the entire parameter list has been divided into advanced and basic functions. When the setting is 0, only these basic parameters are visible and available for editing. When the setting is 1, all settable parameters are visible and available for editing. When the setting is 2, all parameters are visible, but they cannot be edited. Use this setting post-commissioning to protect accidental updating of parameters. The last setting, 3, will reset the drive to its default factory settings.

<b>P0-01</b>	Frequency Setting mode	0: Frequency Setting-UP/DOWN Key 1: Panel Potentiometer; 2: External AI1Current 3: External AI2 Volt ; 4. External AI2 POT 5: PI Regulation; 6: Terminal setting Step Size 7: Terminal Setting step size with 0 Zero frequency after stop; 8:Communication	Default : 1
--------------	------------------------	---	-------------

This setting determines the source of setting frequency that will be considered by the drive for all operations. The explanations are as under-

- 0: The keypad Up/Down keys are used for manipulating the set frequency. Long pressing either will increase the rate.
- 1: The panel Potentiometer is used for manipulating the set frequency. Steady, continuous rotation will increase the update rate at which the set frequency value gets updated.
- 2: External AI1 uses the Current input terminal for manipulating the set frequency.
- 3: External AI2 uses the Voltage input terminal for manipulating the set frequency.
- 4: External AI2 uses the POT terminal for manipulating the set frequency.
- 5: Set Frequency is manipulated using the inbuilt PI regulator.
- 6: Set Frequency is updated using the multifunction input terminals.
- 7: Set frequency is updated using the multifunction input terminals just like in setting 5. The only difference is that once the user stops the drive, the set frequency will shift to 0.0 Hz
- 8: The user can use the external communication feature to update the set frequency

<b>P0-02</b>	Control mode for running	0: Controlled by Keyboard 1: Controlled by Terminal & Stop key disabled 2: Controlled by Terminal & Stop key enabled 3: Controlled by Communication	Default : 0
--------------	--------------------------	--	-------------

This setting determines the source of control signals for the drive.

For setting 0, the keypad RUN/ STOP key will control the operation.

For setting 1, the drive will be controlled by the multifunction terminals. The keypad RUN/ STOP key will be disabled in this case.

In setting 2, the drive will still be controlled by the multifunction terminals. However, the RUN/ STOP key on the keypad will be enabled and can be used to stop the drive's operation.

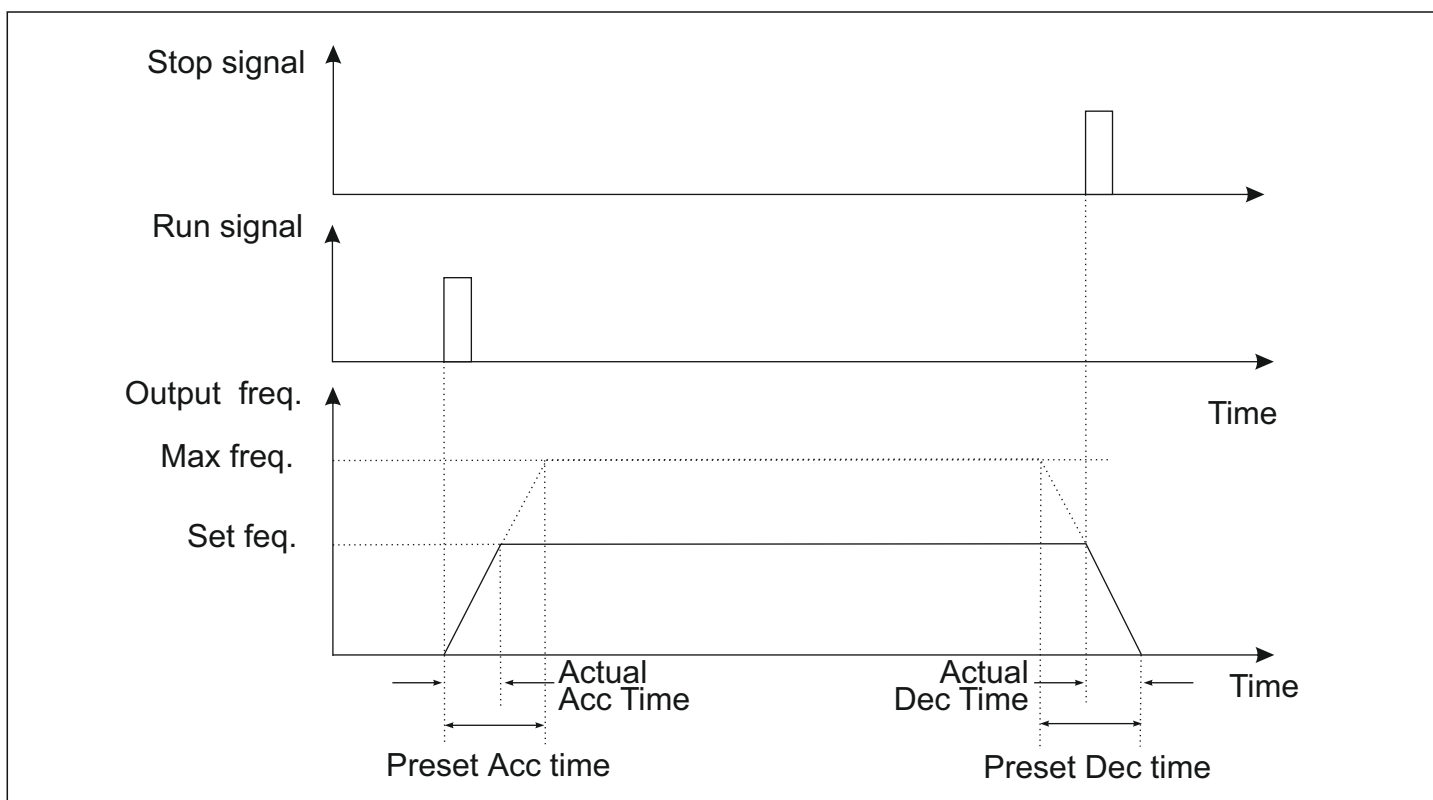
In setting 3, the drive operation will be controlled over external communication

<b>P0-03</b>	Frequency setting	Lower limiting Frequency (P0-10) -Upper limiting Frequency (P0-09)	Default : 50.0 Hz
--------------	-------------------	---	-------------------

This function reflects the set frequency. When using external communication, this parameter needs to be updated for updating the drive's set frequency.

<b>P0-04</b>	Acc. time 0	0.1 s – 999.9 s	Default : 10.0 s
<b>P0-05</b>	Dec. time 0	0.1 s – 999.9 s	Default : 10.0 s

Acceleration and Deceleration times are defined as the time the drive will take to accelerate from 0.0Hz to Max Running Frequency (P0-08) and from Max Running Frequency (P0-08) to 0.0 Hz respectively. For intermediate frequencies, the acceleration and deceleration times will vary accordingly.



<b>P0-06</b>	Default running direction	0: Default direction 1: Reverse direction	Default : 0
--------------	---------------------------	--	-------------

This parameter is used to determine the default running direction of the drive. It is useful when there is a need to permanently change the default direction of the motor. It helps the user as they do not need to manipulate the wiring to change the default direction. The direction chosen here will be treated as FORWARD (FWD) for all drive operations.

<b>P0-07</b>	Anti-reversion setting	0: Disable 1: Enable	Default : 0
--------------	------------------------	-------------------------	-------------

This setting determines if the reverse operation will be allowed. If enabled, the drive will only allow operation in the FWD direction as determined through the setting of P0-06. Any attempt to operate the drive in the reverse direction through the keypad, terminals, communication, etc. will be ignored.

<b>P0-08</b>	Max Frequency	Upper Limiting Frequency (P0-09) - 400 Hz	Default : 60.0 Hz
--------------	---------------	--	-------------------

This setting determines the maximum running frequency of the drive. Its primary use is to define the acceleration and deceleration times of the system.

<b>P0-09</b>	Upper limiting frequency	Lower Limiting Frequency (P0-10) - Maximum Frequency (P0-08)	Default : 50.0 Hz
<b>P0-10</b>	Lower limiting frequency	0.0Hz- Upper limiting Frequency (P0-09)	Default : 0.0 Hz

These settings determine the bounds of frequency within which the drive will operate. These values are also tied to the corresponding settings of the analogue input channels

<b>P0-11</b>	Jog Frequency	0.0Hz- Upper limiting Frequency (P0-09)	Default : 5.0 Hz
--------------	---------------	---	------------------

This setting determines the set frequency in case of jog operation. This operation can be activated either through the keypad, terminals, or communication. Jogging refers to the controlled action of the drive used as a fine adjuster. The action is valid till the jogging signal is valid through the relevant control source.

<b>P0-12</b>	Carrier frequency	2-10Khz	Default : 5 kHz
--------------	-------------------	---------	--------------------

The carrier frequency determines the switching frequency of the IGBTs used in the Inverter section of the drive. Audible noise and heat generated in the drive are directly affected by the carrier frequency. A higher carrier frequency will reduce the acoustic noise generated by the motor. However, it increases switching losses which result in higher heating of the unit and wastage of energy. In cases where the ambient temperature is too high or in systems that run at higher loads, a lower carrier frequency is suggested to improve the performance of the drive. Kindly note that a higher carrier frequency effectively impedes the heavy load performance of the drive.

The factory default carrier frequency is set as per our calculations for the optimum performance of the drive. Unless absolutely demanded by the application at hand, it doesn't need any modifications or changes. In cases where a significantly higher carrier frequency is being used compared to the factory default value, some derating might be necessary.

<b>P0-13</b>	Auto storage of keyboard frequency in case of power down	0: Retention after Power Down 1: No Retention on Power Down	Default : 0
--------------	--	--	-------------

This function determines if the frequency set using the keyboard encoder or UP/DOWN keys will be retained post power down.

**P1 : Keypad Parameters**

<b>P1-00</b>	Default startup display parameter	0: Setting Frequency 1: Output Frequency 2: Bus Voltage 3: Rotational Speed of Motor 4: IGBT Temperature 5: Output Voltage 6: Output Power 7: Linear Speed 8: Count Value 9: PI Index Value 10: PI Feedback Value 11: Input Terminal Status 12: Output Terminal Status 13: Power	Default : 0
--------------	-----------------------------------	---	-------------

It's mainly applied to the setting of default display information for starting.

LED Character	Description
	Set Frequency
	Output Frequency
	Rotational Speed of Motor
	Bus Voltage
	IGBT Temperature
	Output Voltage
	Output Power

LED Character	Description
	Linear Speed
	Count Value
	PI Index Value
	PI Feedback value
	Input Terminal Status
	Output Terminal Status
	Power

<b>P1-01</b>	Selection of display information	Count From 0 to 13 as given in P1-00	Default : 3
--------------	----------------------------------	--------------------------------------	-------------

This determines the number of pages that will be displayed in the online display pages. The count ID relates to the field ID as shared in P1-00.

<b>P1-02</b>	Display coefficient of Frequency	0.1 - 10.0	Default : 1.0
--------------	----------------------------------	------------	---------------

This determines the multiplier that will be applied to the output frequency parameter being displayed on the keypad. It will also affect the running frequency filled accessed external communication.

<b>P1-03</b>	Display coefficient of Mechanical speed	0.1 - 25.0	Default : 1.0
--------------	---	------------	---------------

This determines the multiplier that will be applied to the rotational speed being displayed on the keypad & accessed through external communication.

<b>P1-04</b>	Display coefficient of Linear speed	0.1 - 25.0	Default : 1.0
--------------	-------------------------------------	------------	---------------

This determines the multiplier that will be applied to the rotational speed to calculate the Linear speed displayed on the keypad & accessed through external communication.

<b>P1-05</b>	Password	0: Enable ; 1: Disable	Default : 1
<b>P1-06</b>	Set Password	1-9999	Default : 1

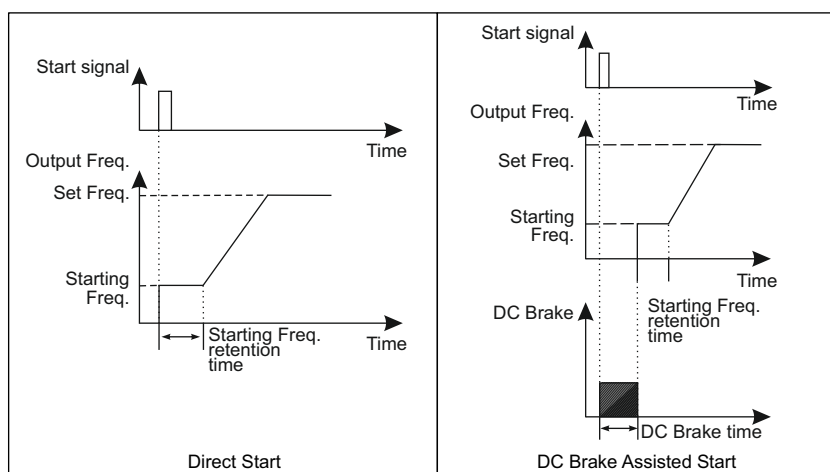
The password feature can be used to lock access to the programming parameters to prevent unauthorized changes to the same.

<b>P1-07</b>	Frequency Switch Source	0: Keypad UP/DOWN Keys 1: Panel Potentiometer 2: External AI1 Current 3: External AI2 Voltage 4: External AI2 POT 5: Communication	Default : 0
<b>P1-08</b>	Reference Frequency	Lower Limit Frequency to Upper Limit Frequency	Default : 0.0 Hz

The user is given the option to switch between 2 frequency sources. This can be done by triggering the hand function by either using the HAND key on the HMI or the HAND function in the multifunction inputs. In case the value of P1-09 is stored as 0 or 1, the drive will switch to the frequency stored in P1-10.

## P2- Start and Stop Parameters

<b>P2-00</b>	Start mode	0: Direct Start 1: DC Braking Start	Default : 0
--------------	------------	--	-------------



The start mode determines how the drive will initiate its operation when the RUN command is given through the selected control source.

0-In the direct start mode, the drive will start its operation towards the set frequency value directly.

1-In the DC Braking start mode, the drive will first inject a DC Current into the motor to hold it in place. This will be followed by the running operation towards set frequency. This technique is used in conditions where the load's inertia can cause the motor to operate in the reverse direction during startup.

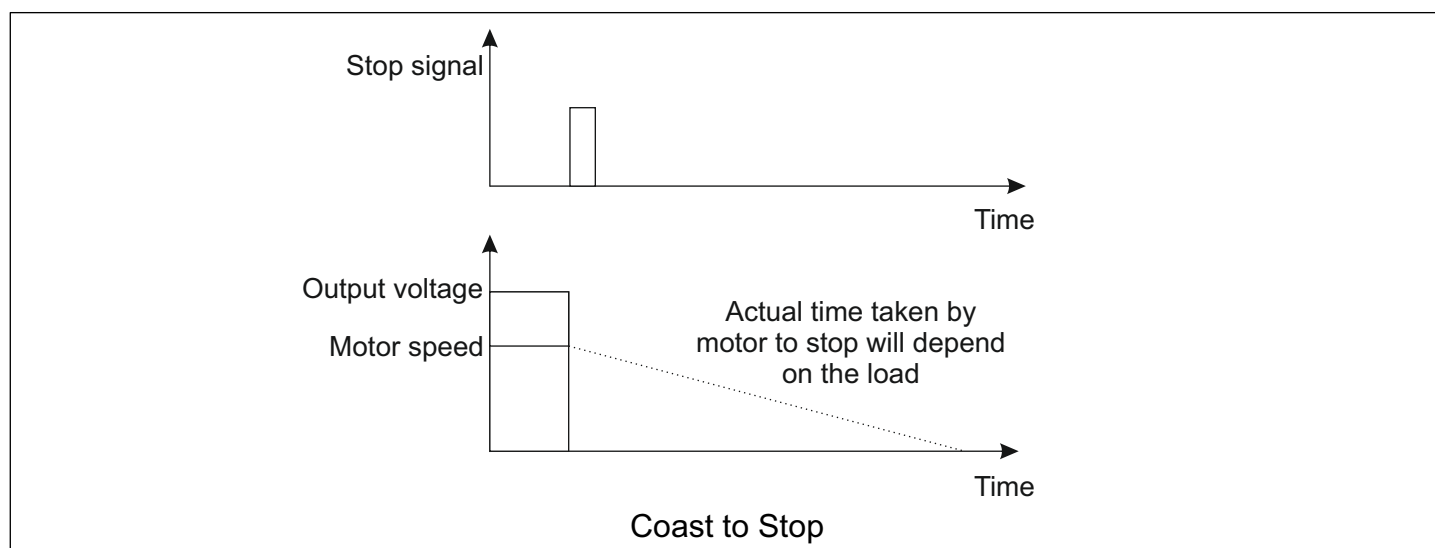
<b>P2-01</b>	Starting Frequency	0.0 – 10.0 Hz	Default : 0.5 Hz
<b>P2-02</b>	Retention time for starting	0.0 – 50.0 s	Default : 0 s

Applicable starting frequency can ensure that there is enough torque for starting. Retention time for starting is needed for the formation of magnetic flow while the motor is on standby so that it can start accelerating after the start frequency is stabilized for a certain time.

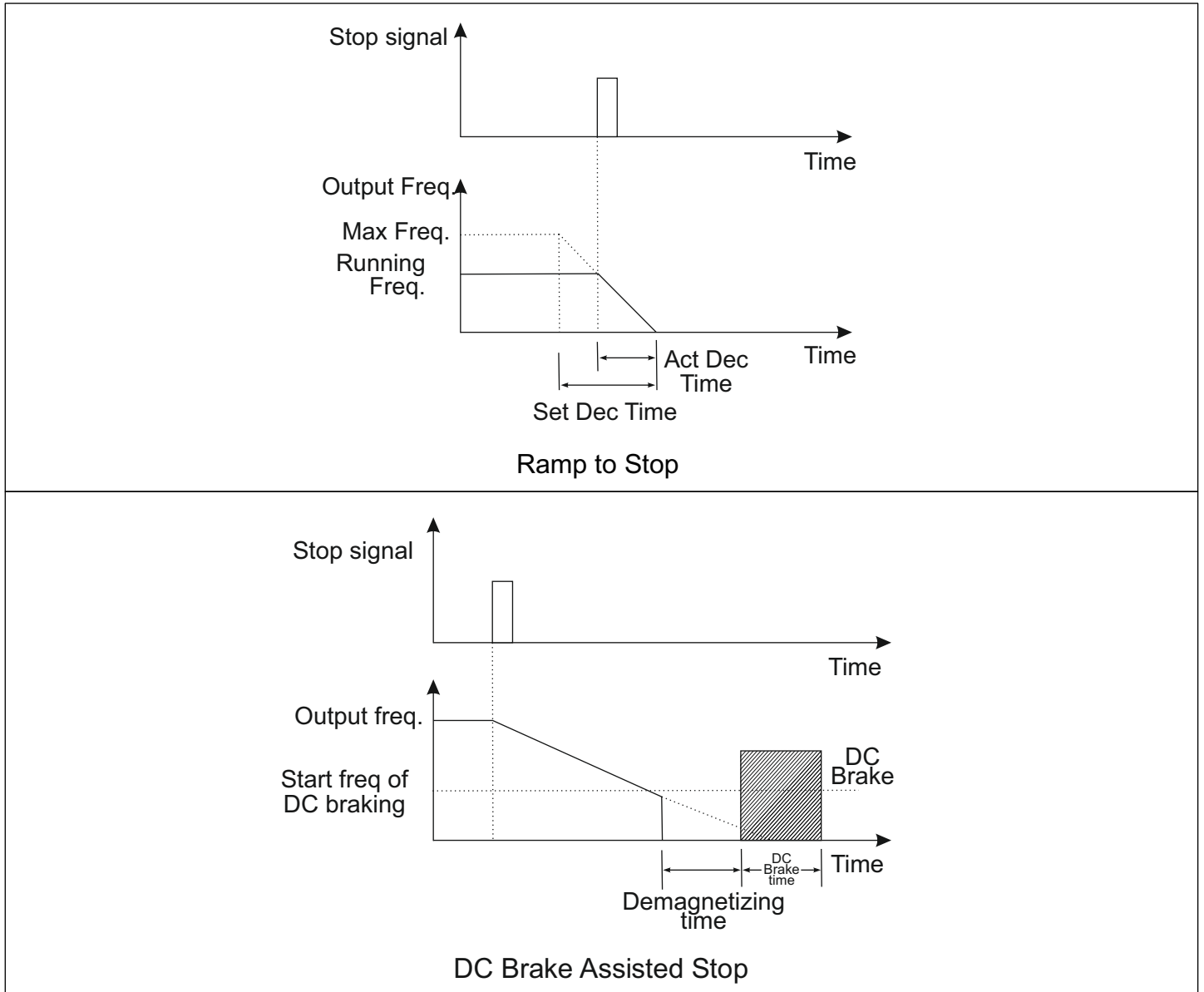
<b>P2-03</b>	Braking current before starting	0 – 150 %	Default : 50 %
<b>P2-04</b>	Braking time before starting	0.0 – 50.0 s	Default : 0 s

The braking current as a percentage of rated current determines the magnitude of the DC injection current being used during starting. The time in P2-04 determines the duration for which this current is applied.

<b>P2-05</b>	Stop mode	0: Coast to Stop 1: Ramp to Stop 2: DC Braking Stop	Default : 1
--------------	-----------	---	-------------







This parameter determines how the drive executes the stopping operation

- 0: In coast to stop, the drive simply turns off all the output switches and the system comes to a halt purely based on the losses incurred due to friction.
- 1: In the ramp to stop mode, the drive decelerates the motor as per the selected deceleration time.
- 2: In DC Braking Stop, the drive first decelerates the motor to a preset frequency using the applicable deceleration time. This is followed by the injection of a settable DC current.

<b>P2-06</b>	Start frequency of DC braking	0 – 10.0 Hz	Default : 2.0 Hz
--------------	-------------------------------	-------------	------------------

This parameter determines the frequency at which the ramp deceleration operation ends and DC braking operation starts.

<b>P2-07</b>	Braking current for stopping	0 - 150 %	Default : 50 %
<b>P2-08</b>	Braking time for stopping	0.0 – 50.0 s	Default : 0.0 s

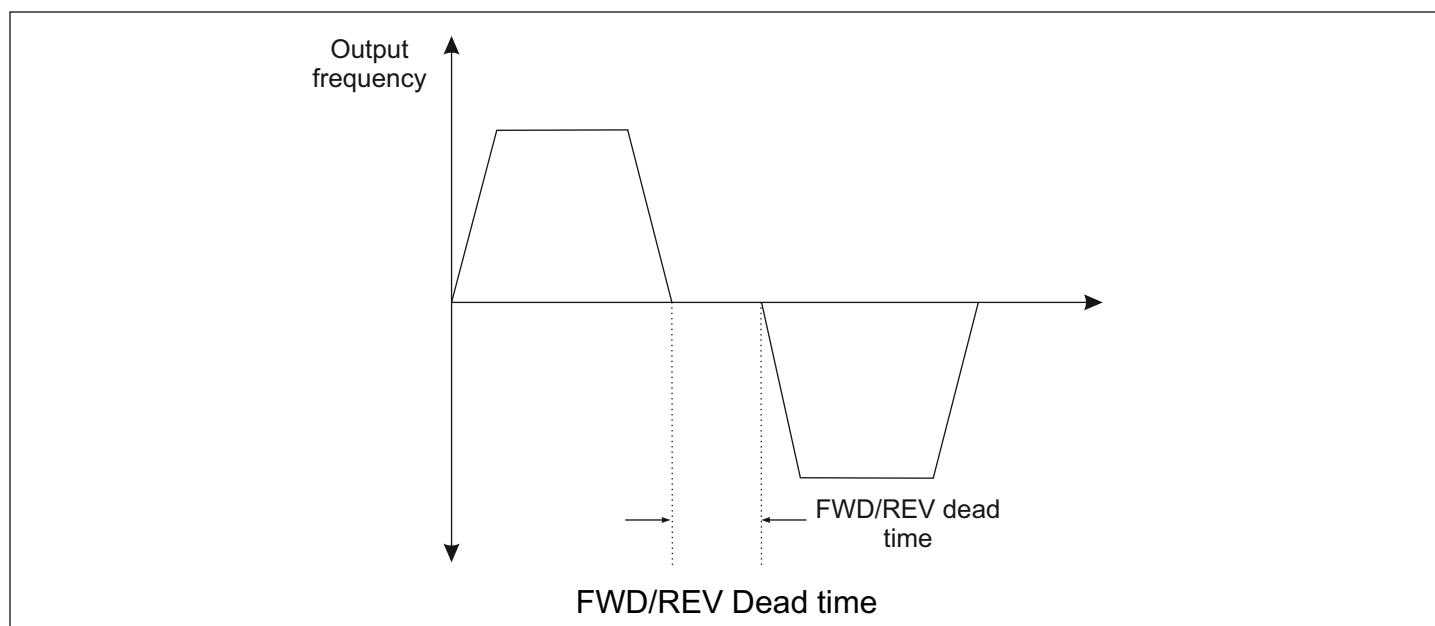
Similar to starting operation, the braking current for stopping is a percentage of the motor rated current and determines the magnitude of the braking current that will be injected into the motor during stopping. The P2-08 parameter determines the duration for which this current is applied.

<b>P2-09</b>	Demagnetizing time	0.0 – 30.0 s	Default : 0.1 s
--------------	--------------------	--------------	-----------------

Before applying the braking current, in high inertia loads, it becomes important to allow the motor to demagnetize itself. This is done to protect the motor from drawing excessive amounts of current and damaging itself. The duration specified here is applicable post the drive has reached the P2-06 frequency and before the DC injection current is applied.

<b>P2-10</b>	Deadtime between FWD/REV	0.0 – 50.0 s	Default : 0.2 s
--------------	--------------------------	--------------	-----------------

This parameter determines the transient time for which the drive will be at 0.0Hz when switching direction.



<b>P2-11</b>	Lower frequency limit crossing action	0: Running with low Limit Frequency 1: Stopping 2: Standby 3: Hibernation	Default : 0
<b>P2-12</b>	Hibernation Restore Delay Time	Delay Time 0 – 50.0 s	Default : 0.0 s

This setting is used to determine the drive's operation in cases where the set frequency goes below the lower limiting frequency as set in P0-10.

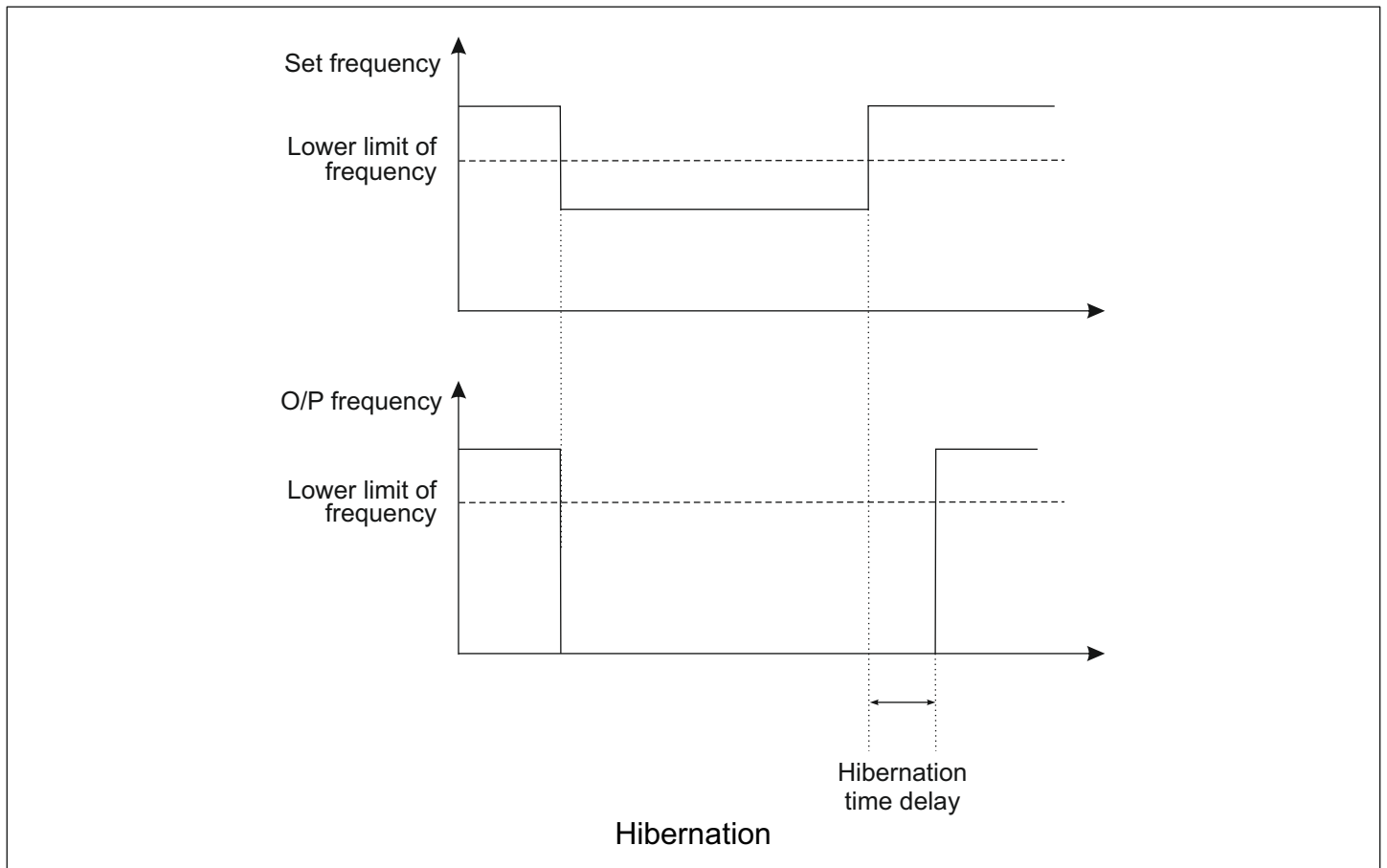
0: The drive continues running with Lower Limiting frequency as the set frequency

1: The drive initiates stopping action

2: The drive enters standby mode. Here, the drive output remains in OFF condition till the set frequency goes above the lower limiting frequency

3: The drive enters hibernation mode. This is similar to standby mode as the drive turns all output switches OFF.

However, to get out of hibernation, the set frequency needs to be above the lower limiting frequency for a user-settable duration as determined in the parameter P2-12.



### P3- Motor Parameters

<b>P3-00</b>	Rated frequency	F3 (P4-05) – 400.0 Hz	Default : 50.0 Hz
<b>P3-01</b>	Rated Voltage	200-250 VAC	Default: Depends on Model
<b>P3-02</b>	Rated Current	0.1 - 5 A	Default: Depends on Model
<b>P3-03</b>	Rated Power	Depends on Model	Default: Depends on Model
<b>P3-04</b>	Rated Speed	1-36000 RPM	Default: 1500
<b>P3-05</b>	No Load Current	0.1 - Rated current(P3-02)	Default: Depends on Model

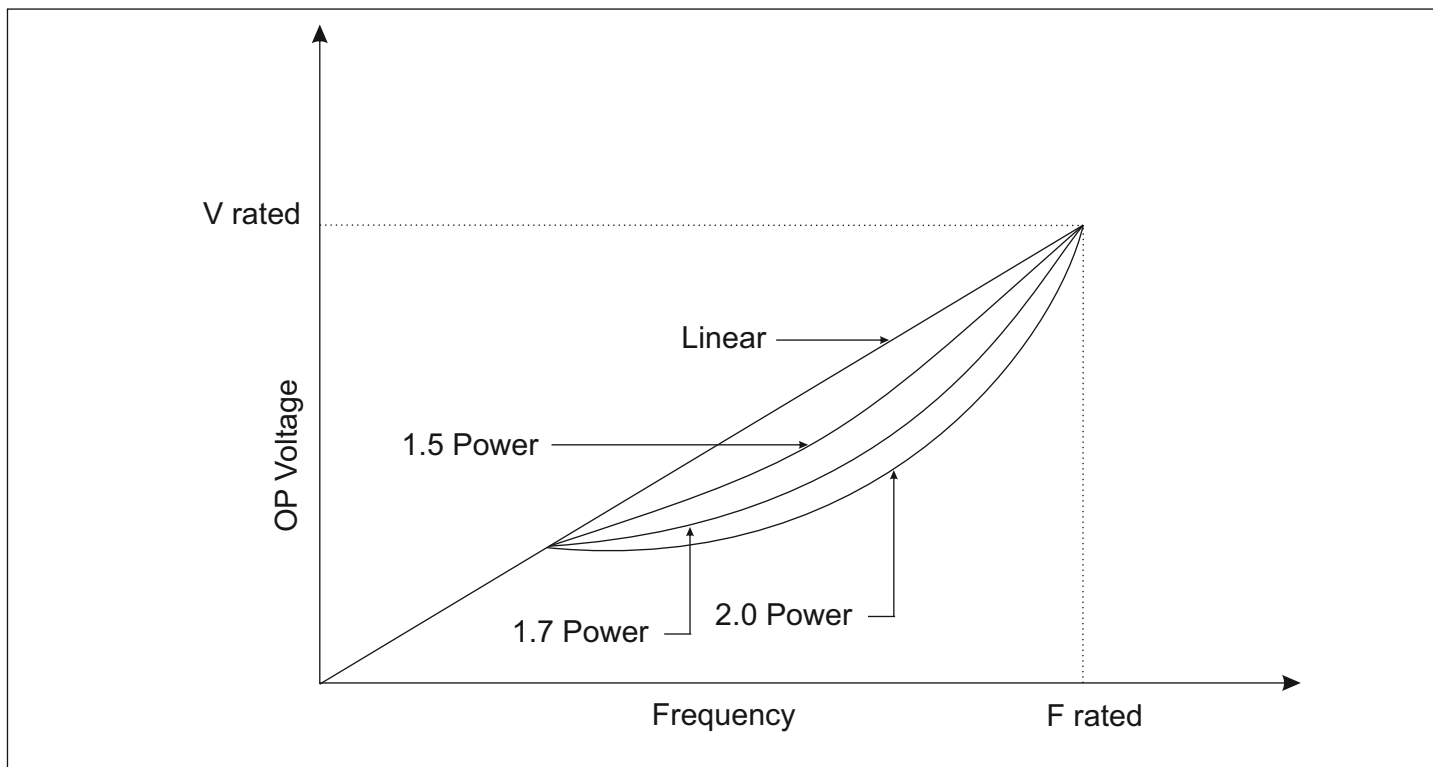
The P3-05 - No Load Current 0.1 - rated current(P3-02) Depends on Model motor parameters are used for all protection and control calculations. These must reflect the actual motor nameplate data for proper operation of the entire system. Incorrectness in this data can hamper the efficiency and safety of the system as a whole.

### P4- Scalar Control Parameters

<b>P4-00</b>	V/f curve setting	0: General V/f 1: 1.5 Power V/f 2: 1.7 Power V/f 3: 2 Power V/f 4: Multipoint V/f	Default: 0
--------------	-------------------	---	------------

The V/f curve setting determines the profile of the V/f ratio that will be followed in the scalar operation of the drive.

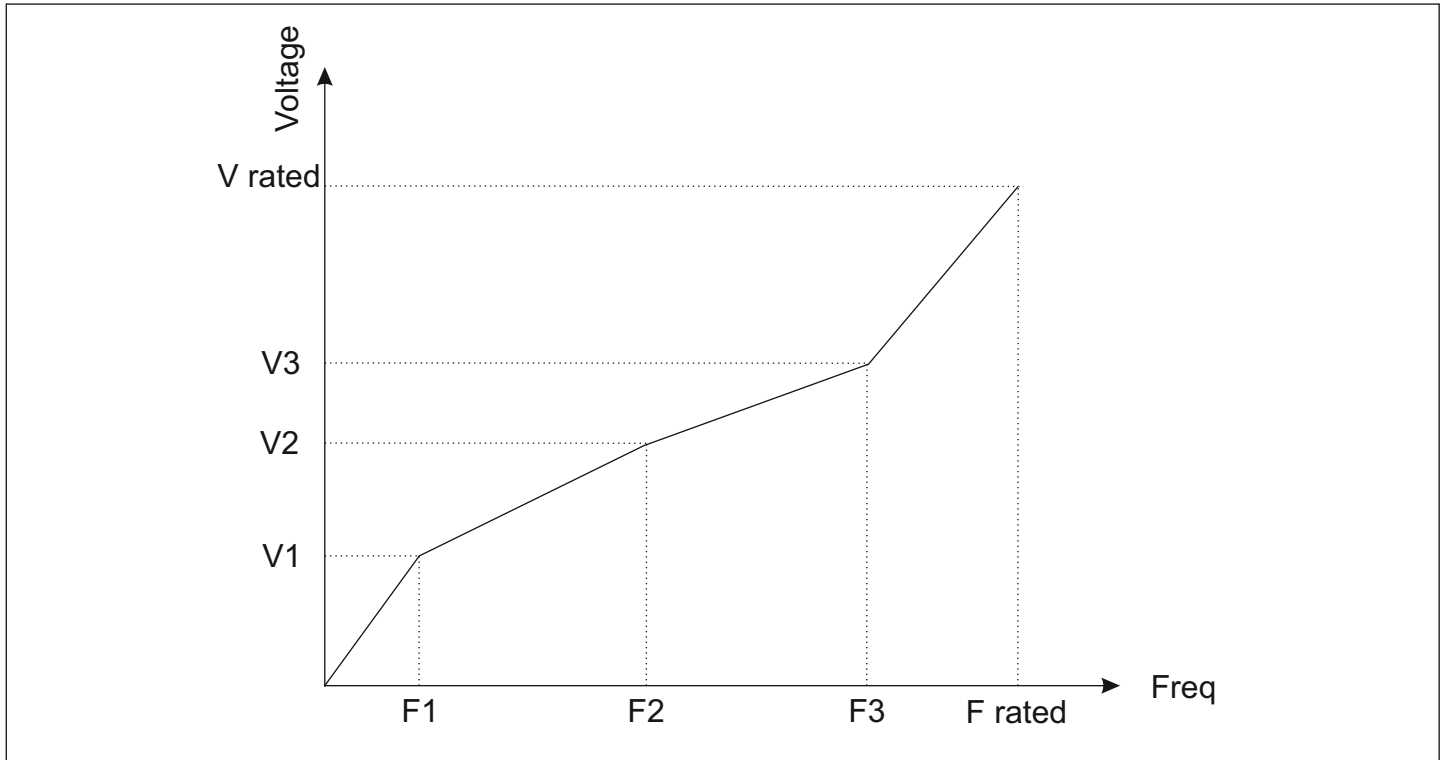
In other words, it defines the nature of variation of the output voltage to the output frequency.



- 0: General V/f traces a linear relationship between the output voltage and frequency. It is used generally for constant load applications
- 1, 2, and 3: The Non-linear curves are usually used in pump and centrifugal applications and help in improving the energy efficiency of the system.
- 4: Multipoint V/f offers the user the option of entering a custom V/f curve using the rated Voltage and Frequency values and the user settable intermediate points in parameters P4-01 to P4-06.

<b>P4-01</b>	V/f Intermediate Frequency 1 (F1)	0.0 Hz – F2 (P4-03)	Default : 1.0 Hz
<b>P4-02</b>	V/f Intermediate Voltage 1	0 - Rated Voltage (P3-01)	Default : 5 V
<b>P4-03</b>	V/f Intermediate Frequency 2(F2)	F1 (P4-01) – F3 (P4-05)	Default : 5.0 Hz
<b>P4-04</b>	V/f Intermediate Voltage 2	0 - Rated Voltage (P3-01)	Default : 25 V
<b>P4-05</b>	V/f Intermediate Frequency 3(F3)	F2 (P4-03) - Rated Frequency (P3-00)	Default : 25.0 Hz
<b>P4-06</b>	V/f Intermediate Voltage 3	0 - Rated Voltage (P3-01)	Default : 115 V

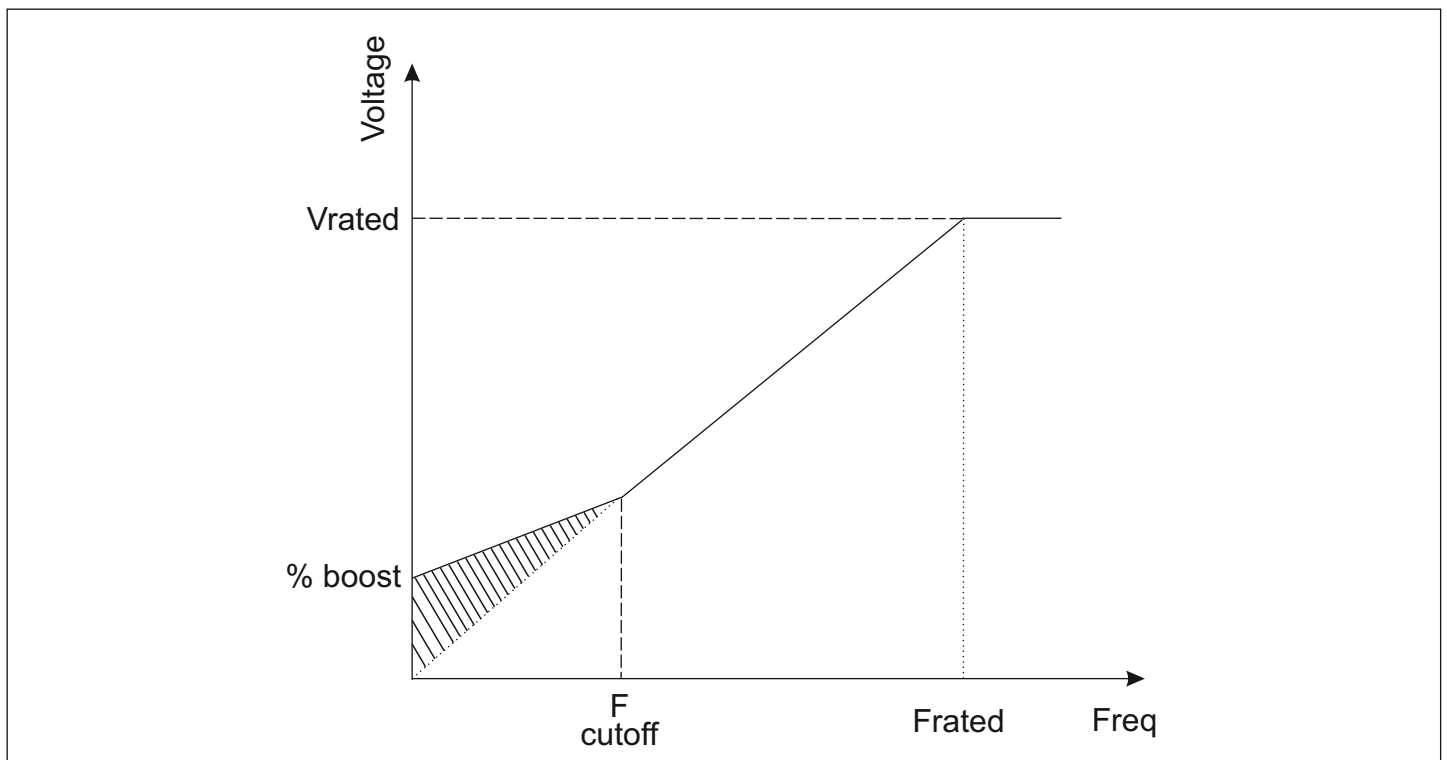
These parameters are used to provide the user with the option of a customizable V/f curve that will best suit their application. These parameters are used only when P4-00 is set to 4 i.e. Multipoint V/f.



<b>P4-07</b>	Torque boost	0-15.0 %	Default : 1.00 %
--------------	--------------	----------	------------------

This parameter compensates for output voltage when the converter is running in the low-frequency region, to improve the low-frequency torque which is usually a drawback in scalar control schemes. However, if the setting of torque boost is too high, the motor could overheat or experience an overcurrent condition.

In general, the setting of torque upgrade must be no more than 10 %. This parameter should be increased whenever there is a heavy load; otherwise, please decrease this parameter.



<b>P4-08</b>	AVR Function	0: Disabled 1: Always Enable 2: Only Enable during deceleration	Default : 0
--------------	--------------	---	-------------

The AVR function ensures that the output voltage of the drive remains stable even in cases where the system might experience fluctuations in the grid voltage.

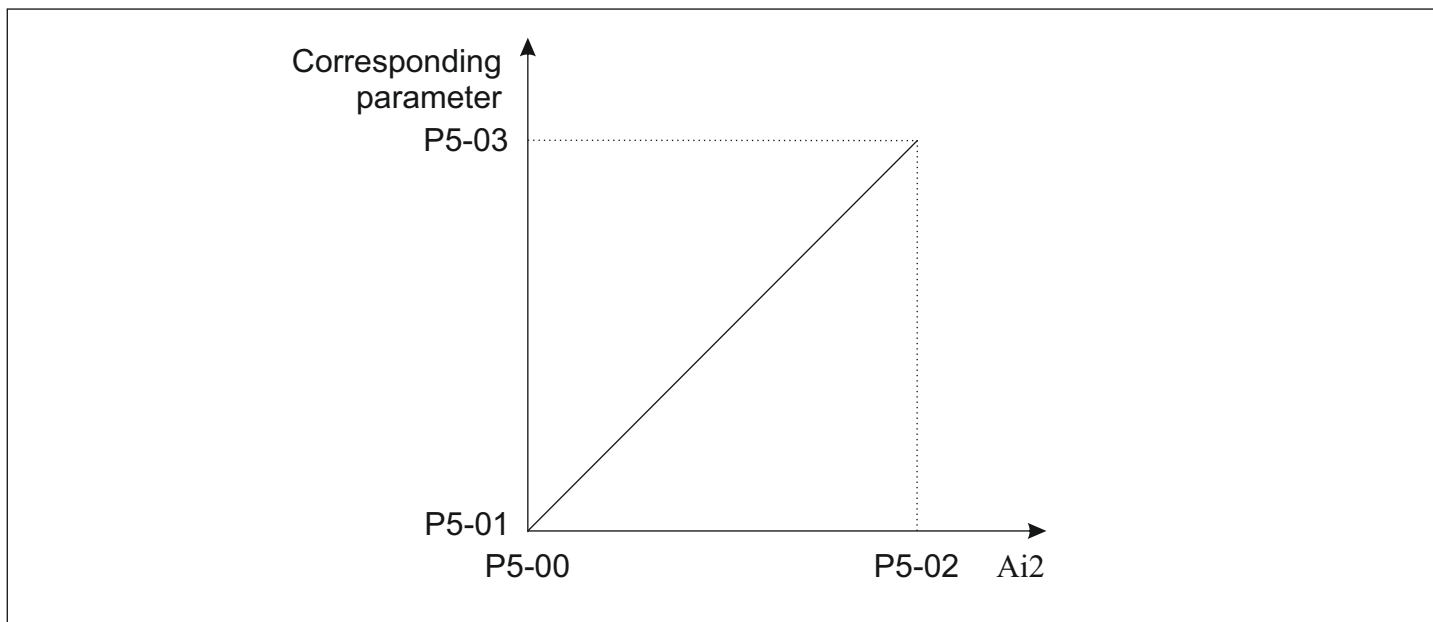
<b>P4-09</b>	Energy-efficient running (EER)	0: Disable 1: Enable	Default : 0
--------------	--------------------------------	-------------------------	-------------

In no-load and low-load conditions, the EER option helps in reducing the energy consumed by the motor by controlling the output voltage accordingly.

### P5- Input Function Parameters

<b>P5-00</b>	Lower Limit of AI1	0.0 - Upper Limit of AI1 (P5-02)	Default : 0.5 %
<b>P5-01</b>	Corresponding Setting of AI1 Lower Limit	0.0 - Corresponding Settings of AI1 Upper Limit (P5-03)	Default : 0.0 %
<b>P5-02</b>	Upper Limit of AI1	AI1 Lower Limit - 100.0 %	Default : 100.0 %
<b>P5-03</b>	Corresponding Setting of AI1 Upper Limit	Corresponding Settings of AI1 Lower Limit (P5-01) - 100.0%	Default : 100.0 %
<b>P5-04</b>	AI1 Input Filtering Time	0.0 s- 10.0 s	Default : 0.1 s
<b>P5-05</b>	AI1 Signal loss threshold	0.0 - Lower Limit of AI1 (P5-00)	Default : 0.5 %

The functional codes above define the relationship between the analogue input signal and the corresponding variation in the set frequency value. These parameters relate specifically to the AI1 terminal i.e. the AI1 terminal. The P5-00 and P5-02 parameters define the percentage of the input signal that will be treated as the lower and upper limits for the signal received on the AI1 pin. The P5-01 and P5-03 parameters on the other hand are the corresponding limits for the set frequency values that will be mapped to the input signal. Note that P5-01 and P5-03 are defined as percentages of the Upper Limit Frequency as defined in P0-09. The relation between the AI2 signal and the corresponding signal has been explained in the graph below. The signal loss threshold denotes the level below which the system will consider the AI2 signal to be lost.



<b>P5-06</b>	Lower Limit of AI2	0.0 - Upper Limit of AI2 (P5-08)	Default: 0.5 %
<b>P5-07</b>	Corresponding Setting of AI2 Lower Limit	0.0 – Corresponding Settings of AI2 Upper Limit(P5-09)	Default: 0.0 %
<b>P5-08</b>	Upper Limit of AI2	AI2 Lower Limit (P5-06) - 100 %	Default: 100 %
<b>P5-09</b>	Corresponding Setting of AI2 Upper Limit	Corresponding Setting of Ai2 Lower Limit(P5-07) - 100%	Default: 100.0 %
<b>P5-10</b>	AI2 Input Filtering Time	0.0s- 10.0 s	Default: 0.1 s
<b>P5-11</b>	AI2 Signal loss threshold	0.0 to AI2 Lower Limit (P5-06)	Default : 0.5 %

Similar to the previous parameters, these parameters relate to the AI2 terminal. Note that this is a user-selected V/I terminal where the user has the option of selecting if they wish to give voltage or current signals by altering the position of the AI2 switch.

<b>P5-12</b>	PNP/NPN Selection	0: NPN; 1: PNP	Default : 1
--------------	-------------------	----------------	-------------

The P5-12 parameter is used to switch the polarity of the switches. Please refer to the standard wiring diagram for better clarity.



<b>P5-13</b>	Multifunction Input X1	0: Disable 1: Forward Rotation 2: Reverse Rotation 3: Three-Wire Control 4: Multiphase Reference Velocity 1 5: Multiphase Reference Velocity 2 6: Multiphase Reference Velocity 3 7: Forward JOG ; 8: Reverse JOG 9: Increase Frequency 10: Decrease Frequency 11: Acc- Dec Time option 1 12: Acc- Dec Time option 2 13: Stop of Acc- Dec 14: External Fault Input 15: Fault Reset 16: Regular Stopping 17: External Count Value Input 18: Count Clear ; 19: Program Run 20: Pause of Program Run 21: DC Brake ; 22: E-Stop 23: Hand Function	Default: 1
	Multifunction Input X2		Default: 2
	Multifunction Input X3		Default: 7
	Multifunction Input X4		Default: 14

These parameters allow the user to configure the functions for the multifunction inputs from X1 to X5. The functions are explained in the table below

Set Value	Function	Description																																													
0	Disabled	The input is assigned no function. Use this to check your wiring as the inputs will still be detected in the HMI page and communication address. It is advised that all unused pins are disabled to prevent any unwanted actions from taking place accidentally																																													
1	Forward	Use these settings while setting up 2-wire and 3-wire control modes. These settings have been explained in depth in the explanation for parameter P5-15.																																													
2	Reverse																																														
3	Three Wire																																														
4	Multiphase reference velocity 1 (S0)	8 levels of speed can be achieved using the multiphase reference velocity terminals. <table border="1" style="margin-top: 10px;"> <thead> <tr> <th>S2</th> <th>S1</th> <th>S0</th> <th>Frequency</th> <th>Parameter</th> </tr> </thead> <tbody> <tr> <td>0</td> <td>0</td> <td>0</td> <td>Principal Frequency</td> <td>P0-03</td> </tr> <tr> <td>0</td> <td>0</td> <td>1</td> <td>Multiphase reference velocity 1</td> <td>P8-01</td> </tr> <tr> <td>0</td> <td>1</td> <td>0</td> <td>Multiphase reference velocity 2</td> <td>P8-02</td> </tr> <tr> <td>0</td> <td>1</td> <td>1</td> <td>Multiphase reference velocity 3</td> <td>P8-03</td> </tr> <tr> <td>1</td> <td>0</td> <td>0</td> <td>Multiphase reference velocity 4</td> <td>P8-04</td> </tr> <tr> <td>1</td> <td>0</td> <td>1</td> <td>Multiphase reference velocity 5</td> <td>P8-05</td> </tr> <tr> <td>1</td> <td>1</td> <td>0</td> <td>Multiphase reference velocity 6</td> <td>P8-06</td> </tr> <tr> <td>1</td> <td>1</td> <td>1</td> <td>Multiphase reference velocity 7</td> <td>P8-07</td> </tr> </tbody> </table>	S2	S1	S0	Frequency	Parameter	0	0	0	Principal Frequency	P0-03	0	0	1	Multiphase reference velocity 1	P8-01	0	1	0	Multiphase reference velocity 2	P8-02	0	1	1	Multiphase reference velocity 3	P8-03	1	0	0	Multiphase reference velocity 4	P8-04	1	0	1	Multiphase reference velocity 5	P8-05	1	1	0	Multiphase reference velocity 6	P8-06	1	1	1	Multiphase reference velocity 7	P8-07
S2	S1		S0	Frequency	Parameter																																										
0	0		0	Principal Frequency	P0-03																																										
0	0		1	Multiphase reference velocity 1	P8-01																																										
0	1		0	Multiphase reference velocity 2	P8-02																																										
0	1		1	Multiphase reference velocity 3	P8-03																																										
1	0		0	Multiphase reference velocity 4	P8-04																																										
1	0		1	Multiphase reference velocity 5	P8-05																																										
1	1	0	Multiphase reference velocity 6	P8-06																																											
1	1	1	Multiphase reference velocity 7	P8-07																																											
5	Multiphase reference velocity 2 (S1)																																														
6	Multiphase reference velocity 3 (S2)																																														

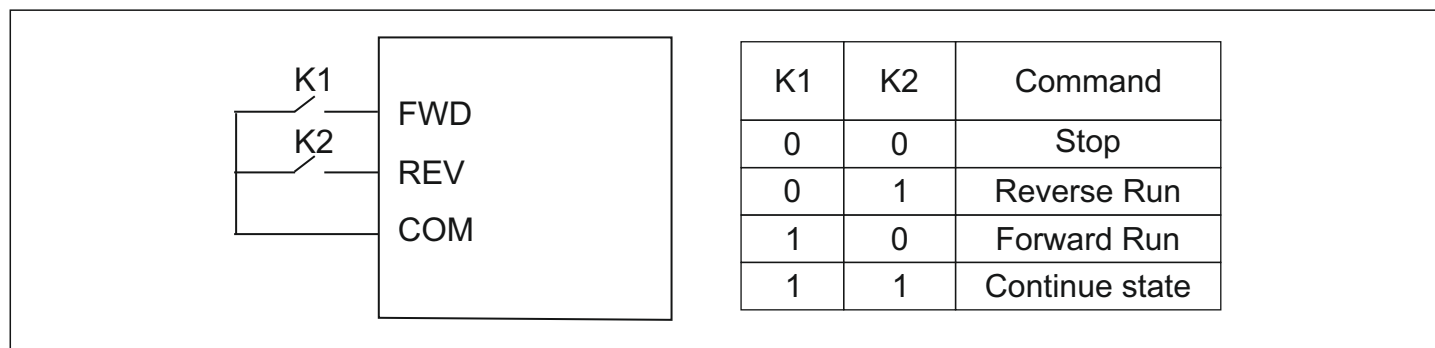
Set Value	Function	Description																				
7	Forward Jog	Triggers forward jogging operation.																				
8	Reverse Jog	Triggers reverse jogging operation																				
9	Increase Frequency	The input terminals are used to increase or decrease the set frequency value. The step size is decided by parameter P5-17. The frequency source (P0-01) has to be set to either 5 or 6.																				
10	Decrease Frequency																					
11	Acc-Dec Time Option 1 (A1)	<p>The input terminals can be used to choose among 4 acceleration,deceleration time options as per the table below.</p> <table border="1"> <thead> <tr> <th>A2</th> <th>A1</th> <th>Acc-Dec Time option selected</th> <th>Parameters</th> </tr> </thead> <tbody> <tr> <td>0</td> <td>0</td> <td>Acc-Dec Time 0</td> <td>P0-04 and P0-05</td> </tr> <tr> <td>0</td> <td>1</td> <td>Acc-Dec Time 1</td> <td>PC-00 and PC-01</td> </tr> <tr> <td>1</td> <td>0</td> <td>Acc-Dec Time 2</td> <td>PC-02 and PC-03</td> </tr> <tr> <td>1</td> <td>1</td> <td>Acc-Dec Time 3</td> <td>PC-04 and PC-05</td> </tr> </tbody> </table>	A2	A1	Acc-Dec Time option selected	Parameters	0	0	Acc-Dec Time 0	P0-04 and P0-05	0	1	Acc-Dec Time 1	PC-00 and PC-01	1	0	Acc-Dec Time 2	PC-02 and PC-03	1	1	Acc-Dec Time 3	PC-04 and PC-05
A2	A1		Acc-Dec Time option selected	Parameters																		
0	0		Acc-Dec Time 0	P0-04 and P0-05																		
0	1		Acc-Dec Time 1	PC-00 and PC-01																		
1	0	Acc-Dec Time 2	PC-02 and PC-03																			
1	1	Acc-Dec Time 3	PC-04 and PC-05																			
12	Acc-Dec Time Option 2 (A2)																					
13	Stop of Acc-Dec	The terminal can be used to hold the drive at its current speed.																				
14	External fault input	The terminal can be used to trigger an external fault condition.																				
15	Fault Reset	The terminal can be used to reset a fault condition. The operation is similar to the RST key on the keypad.																				
16	Regular Stopping	The input can be used to trigger a stopping action. The drive will follow the stop mode as set in parameter P2-05.																				
17	External Count Value Input	The input can be used to increment the internal counter.																				
18	Count clear	The input can be used to reset the internal counter to 0.																				
19	Program Run	The input can be used to start the running of the Simple PLC feature.																				
20	Pause of program run	The input can be used to pause the running of the Simple PLC feature.																				
21	DC Braking	The input can be used to trigger a stopping action. In this case, irrespective of the setting in P2-05, the drive will follow the DC brake assisted stopping routine.																				
22	E-Stop	Emergency Stop																				
23	Hand Function	The input can be used to trigger Hand operation and switch the frequency source.																				

<b>P5-17</b>	Terminal Control Mode	0: Two-Wire Control Mode 1 1: Two-Wire Control Mode 2 2: Three-Wire Control Mode 1 3: Three-Wire Control Mode 2	Default: 0
--------------	-----------------------	--	---------------

This parameter decides the control technique that will be followed when the user selects P0-02 as 1 or 2.

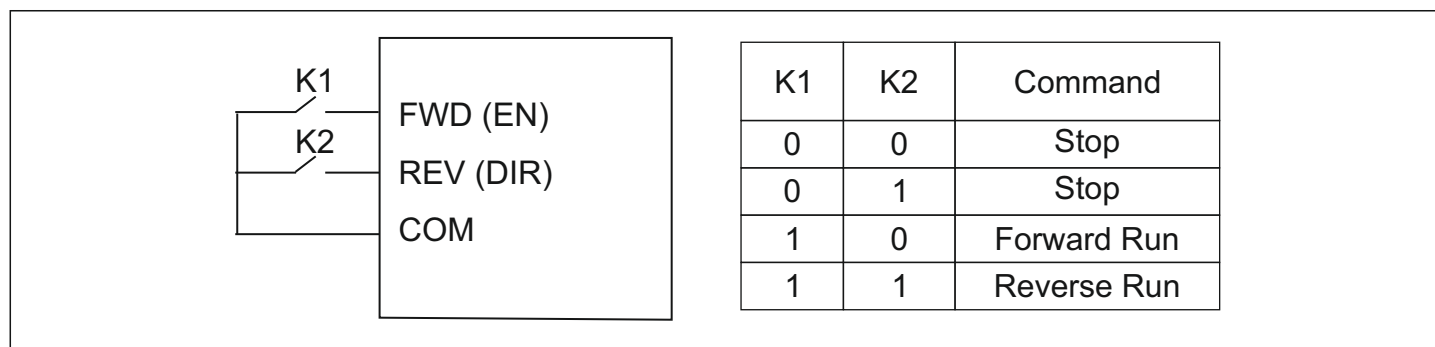
#### 0: Two-Wire Control Mode 1

Two-wire control mode 1 is the most commonly used terminal control mode. One terminal acts to trigger FWD rotation while the other acts to trigger REV operation. The below diagram helps to illustrate this more easily -



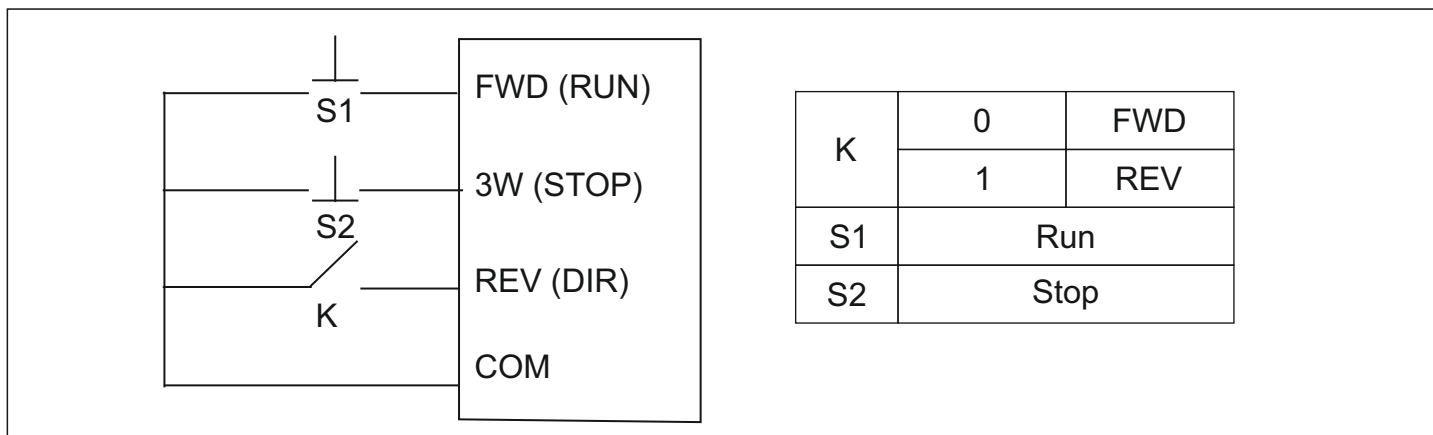
#### 1: Two-Wire Control Mode 2

In Two-Wire Mode 2, one terminal acts as an enable pin while the second terminal controls the direction. Refer to the illustration below to understand better-

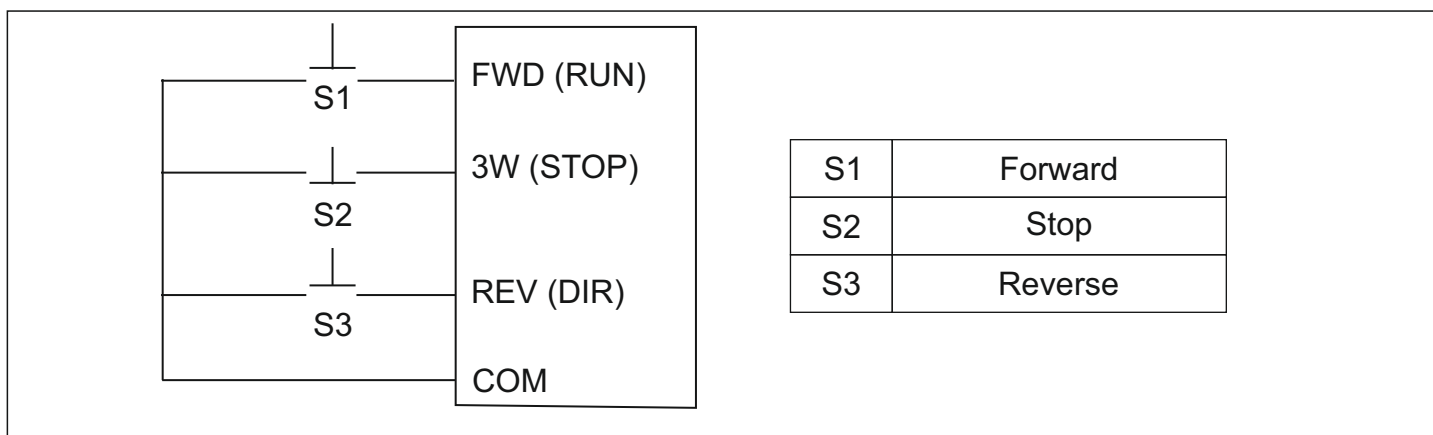


#### 2: Three-Wire Control Mode 1

The Three Wire Mode 1 combines a switch with 2 momentary buttons. The switch is used for controlling the direction of rotation. Of the 2 momentary buttons, 1 is NO and the other is NC. The NO switch is used for the RUN command while the NC switch is used for the STOP command. The illustration below explains this



### 3: Three-Wire Control Mode 2



<b>P5-18</b>	Terminal Filtering Time	2 ms- 100 ms	Default: 10 ms
--------------	-------------------------	--------------	----------------

This parameter allows the user to customize the debounce time being used for the multifunction input terminals. An increase in the filter time can protect the terminal from false activation in noisy environments. However, that will also adversely affect the sensitivity of the terminals.

<b>P5-19</b>	Terminal Frequency update Step Size	0.0- Upper Limiting Frequency (P0-09)	Default: 0.1 Hz
--------------	-------------------------------------	---------------------------------------	-----------------

This parameter defines the step size that will be used in cases where the set frequency is being updated using the multifunction input terminals.

## P6- Output Function Terminals

<b>P6-00</b>	Relay Output Options	0: Disable 1: Running 2: Direction 3: Fault Output 4: Pre-Alarm 5: Standby 6: Frequency arrived 7: Frequency detected 8: Upper Limit Frequency 9: Lower Limit Frequency 10: Setting Count Value Received 11: Specified Count Value Received 12: AI1 Signal Loss Threshold reached 13: AI2 Signal Loss Threshold Reached	Default: 3
--------------	----------------------	--	---------------

The above parameters set the function of the transistor and relay output terminals. These functions are explained in the table below.

Set Value	Function	Description
0	Disable	The output terminal is not used for any task.
1	Running	The output terminal is used to denote that the drive is in Running condition
2	Direction	The output terminal is used to denote the direction that the drive is operating in. A HIGH signal would indicate REV operation and a LOW signal would indicate FWD operation.
3	Fault Output	The output terminal is used to denote the presence of a fault condition.
4	Pre-Alarm	The output terminal is used to indicate the presence of a prealarm condition
5	Standby	The output terminal is used to denote that the drive is in standby mode
6	Frequency Arrived	The output terminal is used to denote the FAR condition. Refer parameter PC-14
7	Frequency Detected	The output terminal is used to denote the FDT condition. Refer parameters PC-12 and PC-13.
8	Upper Limit Frequency	The output terminal denotes that the drive has attained the upper limit of frequency (P0-09)
9	Lower Limit Frequency	The output terminal denotes that the drive has attained the lower limit of frequency (P0-10)
10	Setting Count Value Reached	The output terminal denotes that the internal counter has reached the setting count value (PC-15)

Set Value	Function	Description
11	Specific Count Value Reached	The output terminal denotes that the internal counter has reached the specific count value (PC-16)
12	AI1 Signal Loss Threshold Reached	Denotes that the input signal at AI1 has gone below the user defined threshold value set in parameter P5-05
13	AI2 Signal Loss Threshold Reached	Denotes that the input signal at AI2 has gone below the user defined threshold value set in parameter P5-11

### P7 – PI Control Parameters

<b>P7-00</b>	PI reference source	0: Keyboard 1: Analog channel AI1 Current 2: Analog channel AI2 Voltage 3: Analog channel AI2 Potentiometer	Default: 0
--------------	---------------------	---	------------

The PI Control parameters are used when PI control has been chosen as the frequency control source in P0-01.

Choose the source which will provide the reference value for the PI control loop.

<b>P7-01</b>	PI set value	0.00 % to 100.00 %	Default: 0.00 %
--------------	--------------	--------------------	-----------------

Choose the set value for the PI control loop. This setting is used when the value in P7-00 is 0.

<b>P7-02</b>	Feedback source	0: AI1 Current; 1: AI2 Voltage	Default: 0
--------------	-----------------	-----------------------------------	------------

Use this parameter to set the source of the feedback signal.

<b>P7-03</b>	PI output characteristics options	0: Positive 1: Negative	Default: 0
--------------	-----------------------------------	----------------------------	------------

Positive PI output characteristics: output frequency must be lowered to make it balance when the value of feedback signal is greater than PI set value, for example, PI control on winding tension.  
Negative PI output characteristics: output frequency must be increased to make it balance when the value of feedback signal is greater than PI set value, for example, PI control on unwinding tension.

<b>P7-04</b>	Proportional gain	0.0 to 10.0	Default: 1.0
<b>P7-05</b>	Integral time	0.0 to 100.0 s	Default: 1.0 s

**Proportional gain (P)** determines the intensity of adjustment of PI regulator; the larger P-value is, the higher the intensity of adjustment will be.

**Integral time (I)** determines the speed of integral regulation on the difference between PI feedback quantity and given quantity. The less integral time is, the higher the intensity of adjustment will be.

PI is the most common control method for process control; the function of each part is different from the other.

Please refer to the following brief introduction of operating principles and regulation methods:

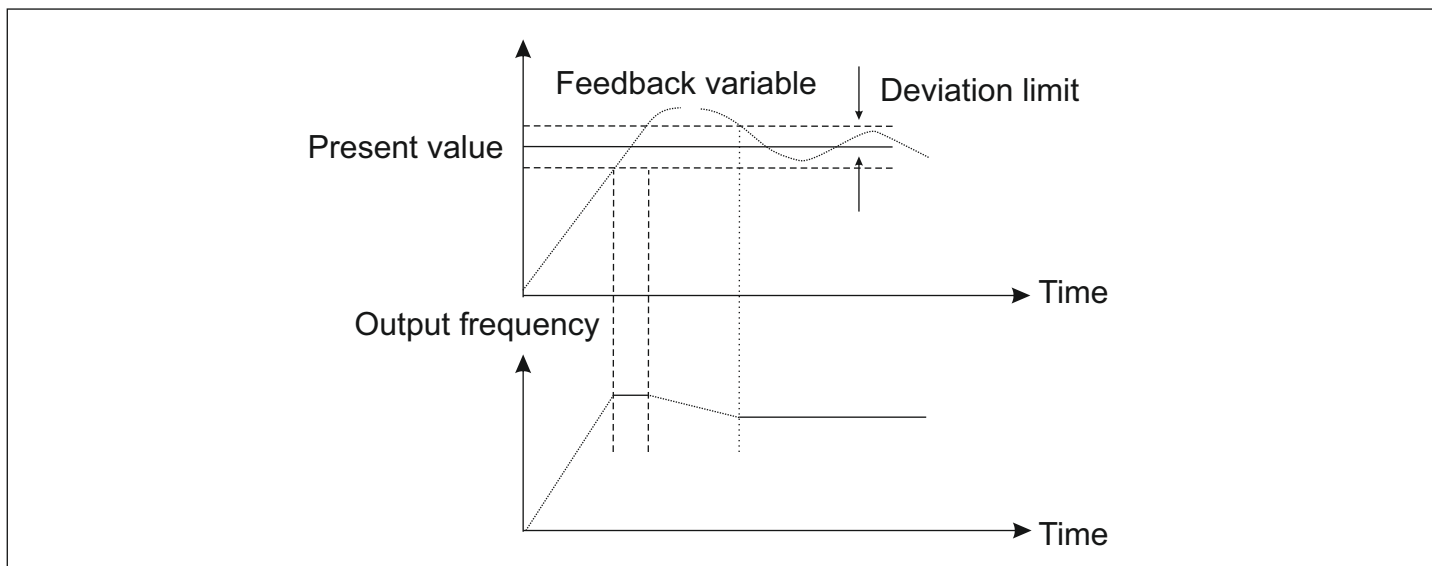
**Proportional gain (P)** : There will be a proportional adjustment between output and deviation if there is a difference between feedback value and set value; if the deviation is constant, regulating variable is also constant. Proportional control responds to the change of feedback quickly; however, error control can't be proceeded only by proportional control.

The greater the proportional gain is, the smaller the adjusting speed of the system will be. But the proportional gain is excessive, it may cause vibration. The adjustment method is to extend the integral time and make the system running only by proportional control; meanwhile, the set value should be changed to observe its stable deviation (static error) between the feedback signal and given quantity; if the static error is incompatible with the change of given quantity, proportional gain can be increased continuously, for example increasing given quantity, or feedback quantity is always less than given quantity after system is stable; otherwise, please reduce it. The instruction above should be implemented repeatedly until deviation is optimized/ minimized.

**Integral time (I)** : when there is difference between feedback value and set value, regulating variable of output should be accumulated continuously; if the deviation can't be eliminated, the regulating variable should be increased continuously until there is no deviation. Deviation can be eliminated effectively by integral controller. However, overshoot may be caused repeatedly if the adjustment of integral controller is too much, which makes system unstable and even causes vibration. If vibration is caused by excessive integral action, following characteristics can be observed oscillation of feedback signal on given quantity, expanding amplitude of oscillation, even vibration. The parameter of integral time should be adjusted generally from maximum value to minimum value so that the integral time can be changed gradually. Observation should be made on the effect on the system. Adjustment can't be stopped until the stable speed of system meets the requirements

<b>P7-06</b>	Deviation limit	0.0 to 20.0	Default: 2.0
--------------	-----------------	-------------	--------------

Deviation limit of PI control defines the comparison between PI system output and maximum deviation value which is limited by closed-loop set value. As is shown in the graph, PI regulator is shut down while it's within deviation limit. The precision and stability of PI system can be improved by setting this function code properly.



<b>P7-07</b>	Sampling Time	0.1 to 100.0 s	Default: 0.2 s
--------------	---------------	----------------	----------------

Sampling period (T) means sampling period of feedback quantity; operation is performed by regulator once every one sampling period. The longer sampling period is, the slower response will be.

<b>P7-08</b>	Feedback disconnection value	0.1 % to 50.0 %	Default: 0.1 %
<b>P7-09</b>	Feedback disconnection detection time	0.1 to 100.0 s	Default: 10.0 s

The feedback variable of PI can be always detected by system; if feedback variable is less than the detected value of feedback dis-connection, system will consider feedback signal to be disconnected by default; if feedback variable is still less than the detected value of feedback disconnection while actual time is more than the time for detecting feedback disconnection, PIE can be detected and sent out by the system.



## P8 – Simple PLC and Multispeed parameters

<b>P8-00</b>	Program run mode	0: Disabled 1: Program stops after running for one cycle 2: Program runs for one cycle and then continues at last operating frequency 3: Circulatory running of the program	Default: 0
--------------	------------------	--	------------

This parameter selects how the Simple PLC program will run  
0: Simple PLC operation is disabled.

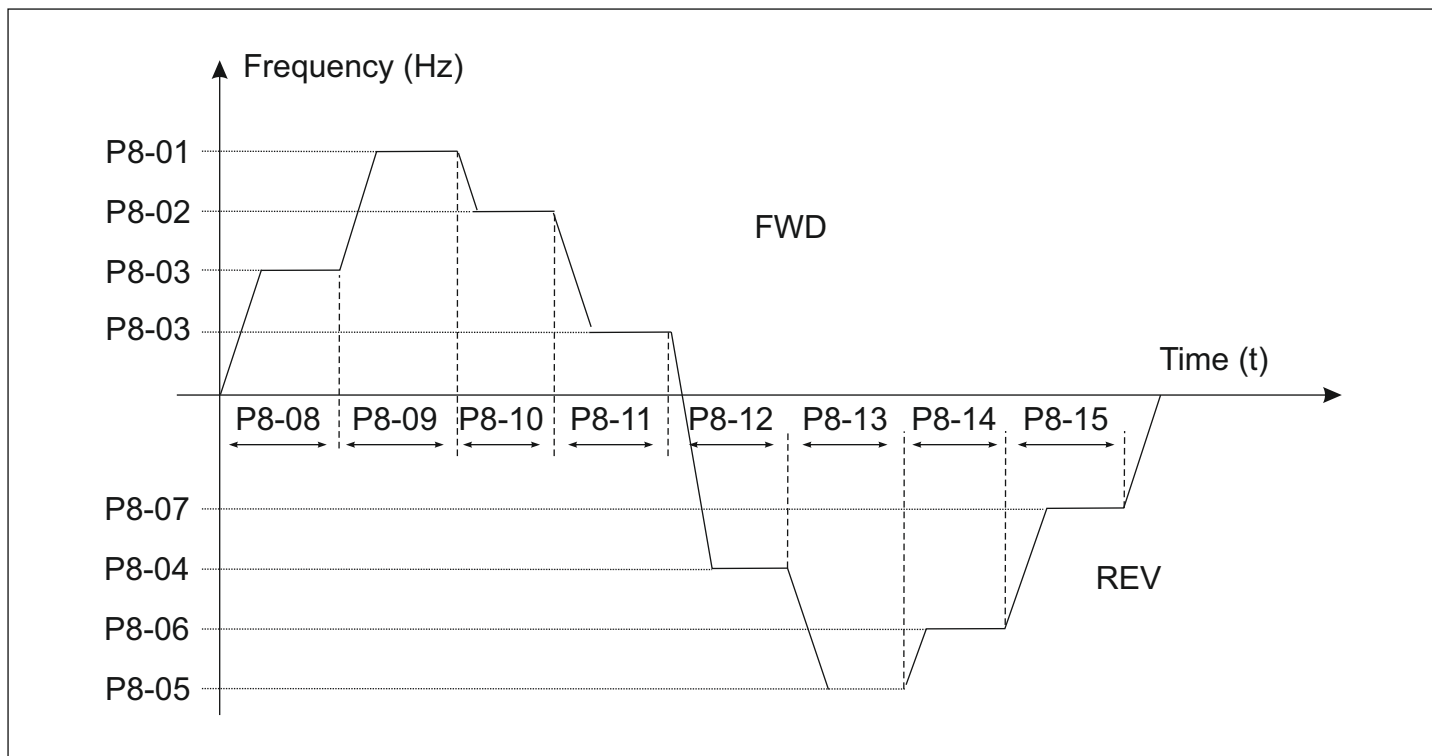
- 1: The program runs once and then the operation stops.
- 2: The program runs once and then continues operating at the last frequency in the sequence.
- 3: The program runs in a cyclic sequence continuously till deliberately stopped.

<b>P8-01</b>	First phase speed	Lower Limiting Frequency (P0-10) - Upper Limiting Frequency (P0-09)	Default: 11.0 Hz
<b>P8-02</b>	Second phase speed	Lower Limiting Frequency (P0-10) - Upper Limiting Frequency (P0-09)	Default: 12.0 Hz
<b>P8-03</b>	Third phase speed	Lower Limiting Frequency (P0-10) - Upper Limiting Frequency (P0-09)	Default: 13.0 Hz
<b>P8-04</b>	Fourth phase speed	Lower Limiting Frequency (P0-10) - Upper Limiting Frequency (P0-09)	Default: 14.0 Hz
<b>P8-05</b>	Fifth phase speed	Lower Limiting Frequency (P0-10) - Upper Limiting Frequency (P0-09)	Default: 15.0 Hz
<b>P8-06</b>	Sixth phase speed	Lower Limiting Frequency (P0-10) - Upper Limiting Frequency (P0-09)	Default: 16.0 Hz
<b>P8-07</b>	Seventh phase speed	Lower Limiting Frequency (P0-10) - Upper Limiting Frequency (P0-09)	Default: 17.0 Hz

The parameters above determine the 7 phase speeds in the simple PLC program. The principal frequency is set in parameter P0-03.

<b>P8-08</b>	The runtime of principal frequency	0.0-999.9	Default: 0.0
<b>P8-09</b>	First phase time	0.0-999.9	Default : 0.0
<b>P8-10</b>	Second phase time	0.0-999.9	Default : 0.0
<b>P8-11</b>	Third phase time	0.0-999.9	Default : 0.0
<b>P8-12</b>	Fourth phase time	0.0-999.9	Default : 0.0
<b>P8-13</b>	Fifth phase time	0.0-999.9	Default : 0.0
<b>P8-14</b>	Sixth phase time	0.0-999.9	Default : 0.0
<b>P8-15</b>	Seventh phase time	0.0-999.9	Default : 0.0

These parameters determine the time for which the frequencies set in P8-01 to P8-07 will be running. The operation is as shown in the timing diagram below.



<b>P8-16</b>	Time unit of multivelocity	0: Seconds ; 1: Minutes 2: Hours	Default : 0
--------------	----------------------------	-------------------------------------	-------------

The P8-16 parameter defines the time unit that will be used for the time settings in P8-08 to P8-15

<b>P8-17</b>	Running direction of programs	0-255 BIT0-7 indicates directions for 0-7 (0:FWD 1:REV)	Default : 0
--------------	-------------------------------	---	-------------

The P8-17 parameter determines the direction that will be followed for the individual phases in the simple PLC program.

Weighted value	$2^7$	$2^6$	$2^5$	$2^4$	$2^3$	$2^2$	$2^1$	$2^0$
Direction (example)	1	1	0	1	0	0	1	0
Bit No.	7	6	5	4	3	2	1	0
Phase No.	7	6	5	4	3	2	1	0

Each bit in the byte corresponds to the corresponding phase in the simple PLC program as shown in the table above.

A value 0 in the bit corresponds to a FWD direction rotation while writing a value 1 to the bit will cause REV direction rotation.

In the above example, we have phases 0 (principal frequency), 2, 3, and 5 running in the forward direction while phases 1, 4, 6, and 7 will run in the reverse direction. The parameter value comes out to be  $2^1+2^4+2^6+2^7$  i.e. 210.

<b>P8-18</b>	Acc-Dec Time for each phase	0-65535 BIT0-15 indicated acc/dec times for 0-7	Default: 0.0
--------------	-----------------------------	---	--------------

<b>Weighted value</b>	2 <sup>15</sup>	2 <sup>14</sup>	2 <sup>13</sup>	2 <sup>12</sup>	2 <sup>11</sup>	2 <sup>10</sup>	2 <sup>9</sup>	2 <sup>8</sup>	2 <sup>7</sup>	2 <sup>6</sup>	2 <sup>5</sup>	2 <sup>4</sup>	2 <sup>3</sup>	2 <sup>2</sup>	2 <sup>1</sup>	2 <sup>0</sup>
<b>Time selection (example)</b>	0	0	0	0	0	0	0	0	1	1	1	0	0	1	0	1
<b>Bit No.</b>	15	14	13	12	11	10	9	8	7	6	5	4	3	2	1	0
<b>Phase No.</b>	7		6		5		4		3		2		1		0	

The P8-18 parameter determines the acceleration or deceleration times that will be followed for the individual phases in the simple PLC program. In the 16-bit word, every 2-bit data corresponds to the acc/dec time selection for the respective phase. The 2-bit data corresponds to 4 distinct Acc/Dec times as shown in the table below.

MSB	LSB	Acc/Dec time selection	Parameter Code
0	0	0	P0-04 and P0-05
0	1	1	PC-00 and PC-01
1	0	2	PC-02 and PC-03
1	1	3	PC-04 and PC-05

In the example given above, phases 4 through 7 will follow acc/dec times 0; phases 0 and 1 will follow acc/dec times 1; phase 2 will follow time combination 2; phase 3 will follow time 3. Converting the time selection word from binary to decimal, we get  $(0000000011100101)_2 = (229)_{10}$ , which is the value that needs to be stored in the parameter P8-18.

### P9- Protection Parameters

<b>P9-00</b>	Overload protection enable	0: Disable 1: Enable	Default: 1
<b>P9-01</b>	Critical value of Overload protection	50 – 180 %	150 %
<b>P9-02</b>	Overload detection time	0.1 to 999.9 s	60.0 s
<b>P9-03</b>	Overload pre-alarm enabled	0: Disabled 1: Enabled	0
<b>P9-04</b>	Overload pre-alarm detection level	50 – P9:01	95 %
<b>P9-05</b>	Overload pre-alarm detection time	0.1 to 999.9 s	0.1 s

The Overload protection is used to provide a degree of thermal protection to the motor. The pre-alarm feature can be used to highlight that the system is approaching the critical trip state so that corrective actions can be taken accordingly. The percentage values specified in the parameters P9-01 and P9-04 correspond to the percentage of the rated power of the motor as specified in the parameter P3-03. The delay times act as ON-delay for the trip and prealarm conditions specifying that the drive will trigger the fault or pre-alarm actions after the time (P9-02 and P9-05 respectively) has elapsed.

<b>P9-06</b>	Overvoltage protection enable	0: Disabled 1: Enabled	1
<b>P9-07</b>	Critical value of OV protection	220-275 VAC	265VAC
<b>P9-08</b>	Overvoltage Trip time	0.1 to 999.9 s	0.1 s
<b>P9-09</b>	Overvoltage prealarm enable	0: Disabled 1: Enabled	0
<b>P9-10</b>	Overvoltage prealarm detection level	220V - P9-07	245VAC
<b>P9-11</b>	Overvoltage prealarm detection time	0.1 to 999.9 s	0.1 s

The overvoltage protection feature protects the drive from operating in ranges beyond the safe operating limits. The pre-alarm feature provides an early warning to the user for taking corrective actions before the drive executes the tripping action.

<b>P9-12</b>	Undervoltage protection enable	0: Disabled 1: Enabled	0
<b>P9-13</b>	Critical value of Under-voltage protection	160- 240 VAC	195VAC
<b>P9-14</b>	Undervoltage trip time	0.1 to 999.9 s	0.1 s
<b>P9-15</b>	Undervoltage prealarm enable	0: Disabled 1: Enabled	0
<b>P9-16</b>	Undervoltage prealarm detection level	P9-13 to 240 VAC	200VAC
<b>P9-17</b>	Undervoltage prealarm detection time	0.1 to 999.9 s	0.1 s

Undervoltage protection feature protects the drive from operating in ranges under the safe operating limits. The prealarm feature provides an early warning to the user for taking corrective actions before the drive executes the tripping action.

<b>P9-30</b>	Automatic Current Limit	0: Disabled 1: Enabled	Default : 0
<b>P9-31</b>	Automatic Current Limit Level	50 – 150 %	Default : 150 %

In cases where the motor acceleration has been set as too high, there is a possibility of the drive facing overcurrent faults. The automatic current limit feature helps mitigate those conditions by holding the speed of the motor till the current value becomes lesser than the threshold value. This feature is usually useful in cases where the starting load may not be constant and the user wants to extract the fastest acceleration.

## PA- Fault History

The fault history section helps in analysing the faults faced by the drive.

<b>PA-00</b>	Previous fault code	0-20	0
<b>PA-01</b>	2 <sup>nd</sup> to previous fault code	0-20	0
<b>PA-02</b>	3 <sup>rd</sup> to previous fault code	0-20	0

These addresses store the fault codes of the previous 3 faults faced by the drive. A summary of the fault codes can be found in Appendix A which deals with fault handling and troubleshooting.

<b>PA-03</b>	Previous fault operating frequency	-	-
<b>PA-04</b>	Previous fault Current	-	-
<b>PA-05</b>	Previous fault bus voltage	-	-

These addresses store the operating frequency, current and bus voltage values for the previous fault.

<b>PA-06</b>	Previous fault input state	-	-
<b>PA-07</b>	Previous fault output state	-	-

These address store the status of the input and output terminals at the time of fault generation.

## Pb- Communication Parameters

<b>Fun. Code</b>	<b>Description</b>	<b>Settings and Range</b>	<b>Default Value</b>
<b>Pb-00</b>	Slave Address	1-127	1
<b>Pb-01</b>	Modbus Data Format	0: 8-N-1; 1: 8-N-2; 2: 8-E-1 3: 8-E-2; 4: 8-O-1; 5: 8-O-2	0
<b>Pb-02</b>	Response Delay	0- 200 ms	20 ms
<b>Pb-03</b>	Serial Timeout	0: Disable ; 1: Time Setting	0
<b>Pb-04</b>	Serial Timeout Time Setting	0.1- 60.0 s	5 s
<b>Pb-05</b>	Abnormal Action Selection	0: Warn & Continue Operation 1: Continue Operation Without Warning 2: Alarm Shutdown (Coast to Stop) 3: Alarm Shutdown (Ramp to Stop)	0

The above parameters deal with the external communication feature of the drive. The parameter Pb-00 defines the slave ID that will be assigned to the VFD. Note that the drive always acts as a slave in the communication system. The parameter Pb-01 defines the baud rate at which the communication system will operate. Pb-02 defines the MODBUS data format that will be used. Note that these parameters need to be the same across all members of the communication system. The parameters Pb-04, Pb-05, and Pb-06 deal with customizable timeout settings for the user. In systems where input is expected from the master device in every set period, this feature can be used to generate a time-out action wherein one of the options from Pb-06 will be performed. This action will be triggered if no data is received from the master device in the time specified in Pb-05. This feature should be used only in cases where there is a continuous stream of data being transferred between the drive and the master device. Otherwise, it could trigger an unnecessary fault.

### PC – Enhanced parameters

<b>PC-00</b>	Acc. time 1	0.1 – 999.9 s	Default : 20.0 s
<b>PC-01</b>	Dec. time 1	0.1 – 999.9 s	Default : 20.0 s
<b>PC-02</b>	Acc. time 2	0.1 – 999.9 s	Default : 20.0 s
<b>PC-03</b>	Dec. time 2	0.1 – 999.9 s	Default : 20.0 s
<b>PC-04</b>	Acc. time 3	0.1 – 999.9 s	Default : 20.0 s
<b>PC-05</b>	Dec. time 3	0.1 – 999.9 s	Default : 20.0 s

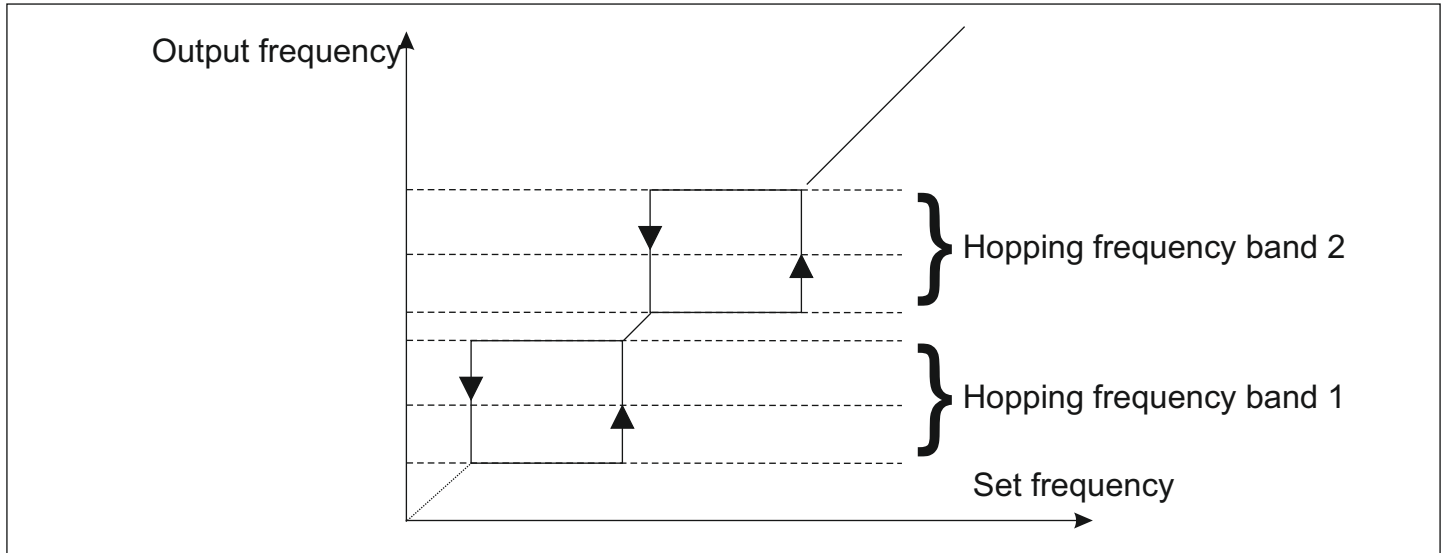
The acceleration-deceleration times 1 through 3 are defined similarly as Acceleration- Deceleration time 0 as defined in the P0 parameter family.

<b>PC-06</b>	Jog Acc. Time	0.1 – 999.9 s	Default : 5.0 s
<b>PC-07</b>	Jog Dec. Time	0.1 – 999.9 s	Default : 5.0 s

These 2 parameters define the acc/dec times for the jogging operation. Note that these times are also defined as the transition time between the Max Frequency as defined in (P0-08) to 0Hz.

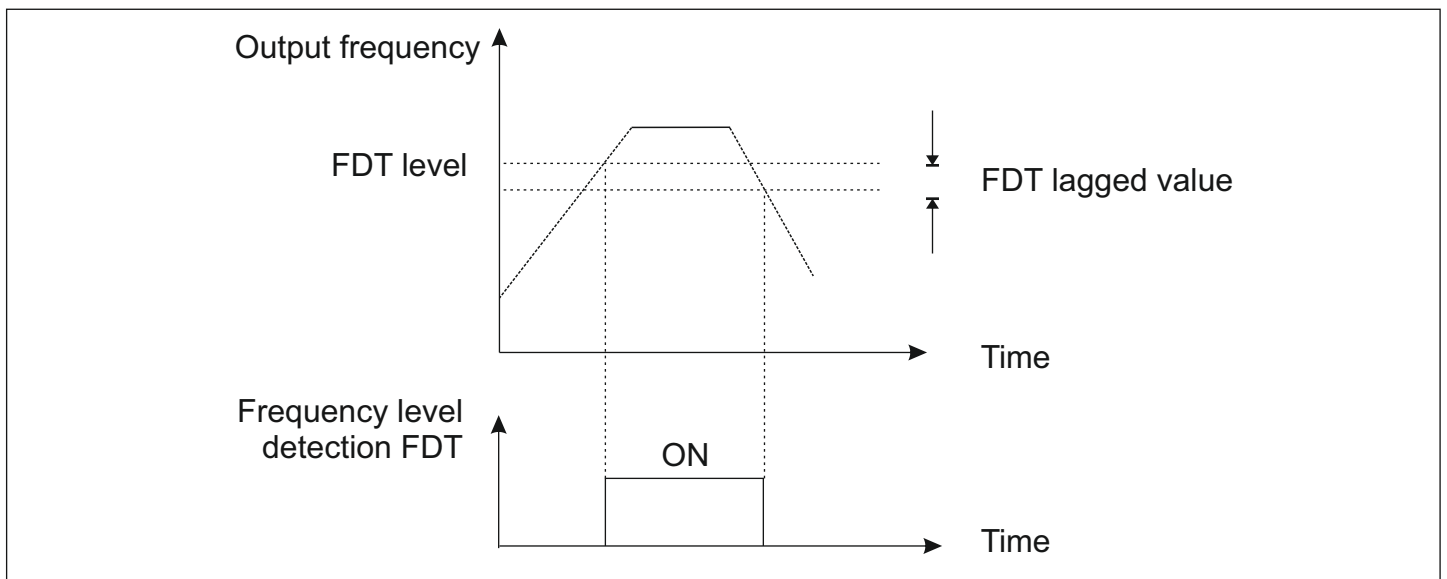
<b>PC-08</b>	Hopping Frequency 1 Lower Limit	Lower Limit Frequency (P0-10) to Hopping Frequency 1 Upper Limit (PC-09)	Default: 0.0 Hz
<b>PC-09</b>	Hopping Frequency 1 Upper Limit	Hopping Frequency 1 Lower Limit (PC-08) to Upper Limit Frequency (P0-09)	Default: 0.0 Hz
<b>PC-10</b>	Hopping Frequency 2 Lower Limit	Lower Limit Frequency (P0-10) to Hopping Frequency 2 Upper Limit (PC-11)	Default: 0.0 Hz
<b>PC-11</b>	Hopping Frequency 2 Upper Limit	Hopping Frequency 2 Lower Limit (PC-10) to Upper Limit Frequency (P0-09)	Default: 0.0 Hz

Hopping action is required in cases where the VFD could drive the motor through a frequency that matches the resonant frequency of the system that is being controlled. This matching could cause the entire system to vibrate which could prove to be harmful in the long run. The hopping feature allows the user to skip through such resonant frequency values. The below diagram will make this operation clearer. Note that in case of an overlap between the 2 hopping frequency ranges, band 1 will get a higher priority.



<b>PC-12</b>	FDT Level Detection Value	Lower Limiting Frequency (P0-10) – Upper Limiting Frequency (P0-09)	Default: 0.0 Hz
<b>PC-13</b>	FDT Level Lagged Value	Lower Limiting Frequency (P0-10) – FDT Level Detection Value (PC-12)	Default: 0.0 Hz

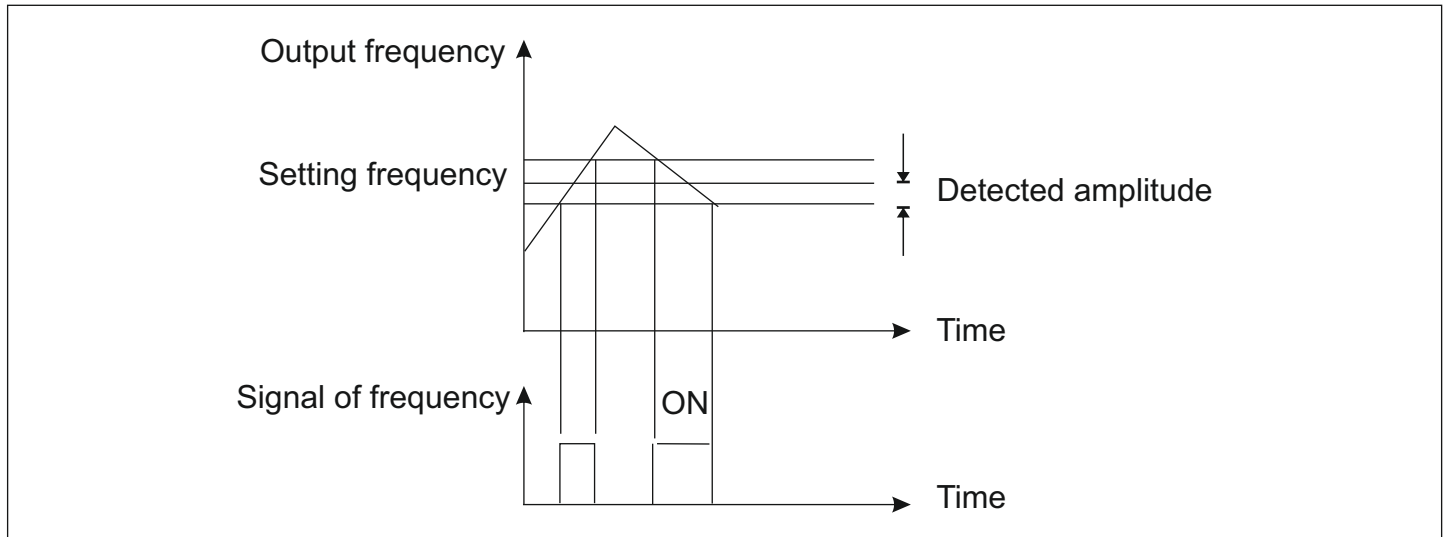
These 2 parameters indicate that a particular frequency has been achieved. The operation is explained in the diagram below.





<b>PC-14</b>	Amplitude of Frequency Arrival	Lower Limiting Frequency (P0-10) – Upper Limiting Frequency (P0-09)	Default: 0.0 Hz
--------------	--------------------------------	--	--------------------

This parameter indicates that the drive is approaching the set frequency value.



<b>PC-15</b>	Setting Count	1 – 9999	Default : 10
<b>PC-16</b>	Specific Count	1 – Setting Count (PC-15)	Default : 10

Counts of pulse or switching signal can be input by the counter through one of its multi-function DI terminals. When the count value reaches up to the setting count value, the drive will signal this using output relays. When the count value reaches up to the specified count value, the drive will give a similar signal RO terminals. The counter will not stop until it reaches up to the setting count value. Once reached though, the counter will stay there till reset.

## 7. FAULT HANDLING AND TROUBLESHOOTING

### 7.1 Malfunction and solutions

Fault Code	Fault Indication	Fault description	Possible causes	Possible solutions
1	OU.E	Overvoltage fault	<ol style="list-style-type: none"> <li>1. Input voltage</li> <li>2. Rapid deceleration</li> <li>3. Load with heavy inertia</li> </ol>	<ol style="list-style-type: none"> <li>1. Check input voltage is in permissible range</li> <li>2. Increase deceleration time</li> <li>3. Use dynamic braking resistor</li> </ol>
2	U.V.E	Under-voltage fault	<ol style="list-style-type: none"> <li>1. Input Voltage</li> </ol>	<ol style="list-style-type: none"> <li>1. Check input voltage is in permissible range</li> </ol>
3	OC.E	Over-current fault	<ol style="list-style-type: none"> <li>1. Mismatch of capacity</li> <li>2. Low supply voltage</li> <li>3. Rapid acceleration/ deceleration</li> <li>4. Heavy load fluctuations</li> </ol>	<ol style="list-style-type: none"> <li>1. Select appropriately sized VFD</li> <li>2. Check input voltage &amp; wirings</li> <li>3. Increase acceleration/ deceleration times</li> <li>4. Detect and reduce</li> </ol>
4	UC.E	Under-current fault	Pump operating in dry run mode	
5	OL.E	Overload fault	<ol style="list-style-type: none"> <li>1. Similar to OC fault causes</li> <li>2. Incorrect V/f settings</li> <li>3. Excessive load on motor</li> </ol>	<ol style="list-style-type: none"> <li>1. Refer to above solutions</li> <li>2. Recheck and select appropriate settings for V/f control</li> <li>3. Reduce load on motor</li> </ol>
6	OT	Over temperature fault	<ol style="list-style-type: none"> <li>1. High ambient temperature</li> <li>2. Obstruction to ventilation, fan malfunction, unclean heatsink</li> <li>3. Excessive load on motor</li> </ol>	<ol style="list-style-type: none"> <li>1. Lower ambient temperature</li> <li>2. Check that the ventilation ducts are not blocked and the placement of the drive is as per instructions. Check that the fan is working. If not, contact for replacement. Check for dust/debris on heat sink and clean if dirty.</li> <li>3. Reduce load on motor. Alternatively, reduce carrier frequency.</li> </ol>
7	SC	Short-circuit	<ol style="list-style-type: none"> <li>1. Refer to the cases of OC fault.</li> <li>2. Short circuit of power terminals</li> <li>3. Damage to power module</li> </ol>	<ol style="list-style-type: none"> <li>1. Refer to above solutions for OC fault</li> <li>2. Check condition of wires coming to the power terminals</li> <li>3. Seek technical support</li> </ol>
8	nF	External Fault	<ol style="list-style-type: none"> <li>1. External fault signal received from input terminals</li> </ol>	<ol style="list-style-type: none"> <li>1. Check input terminal settings to eliminate false alarms. In case a terminal has been set to trigger EF, check its status</li> </ol>

Fault Code	Fault Indication	Fault description	Possible causes	Possible solutions
9	CO $\bar{n}$	External Communication failure	1. Erronous communication settings 2. Damaged	1. Crosscheck the communication settings across all devices communication wires connected to the network. 2. Check the status of the wires/ cable used for communications
10	SSS	System failure	1. Critical damage to the system which could cause incorrect operation of the drive	1. Contact technical support
11	Err	PI fault	No detection of PI feedback signal for a certain time	Check on PI feedback signal and connection

## 7.2. Common Faults and processing schemes

### • No information display after power on

Please confirm whether the voltage of power source is compatible with the rated voltage of converter. Please check whether three-phase rectifier bridge is in good condition; if it's damaged, please seek for technical support. Please check if power indicator is on or not; if it's off, malfunction is mainly caused by abnormal rectifier and buffer resistance; if it's on, malfunction is mainly caused by switching power supply. Meanwhile, please seek for technical support.

### • Air switch of power source trips when power on

Please check whether power source is grounded or short-circuited; please solve it accordingly. Contact tech support if problem persists.

### • Motor doesn't start running after converter is started

Please check whether there is three-phase symmetrical output among U, V, W. If there is, motor or its circuit is damaged mostly; or stalling may be caused by mechanical problem. please solve it accordingly. If three phase output is unsymmetrical, then driver board or output module of converter may be damaged. Please seek for technical support. If there is output voltage, then driver board or output module may also be damaged. Please also seek for technical support.

### • Air switch of power source trips while running

Please check whether output modules between phase and phase are short-circuited; if there is short circuit, please seek for technical support. Please check whether motor lines are short-circuited or grounded; if they are, please solve it accordingly. If stripping take places sometimes, not regularly; and there is a long distance between motor and converter, please take the installation of additional AC reactor into consideration.

## 8. MAINTENANCE

Only the qualified engineer is allowed to conduct maintenance for converter; please pay attention to the following precautions:

- Maintenance must be conducted only by qualified engineers in specified way
- Only when converter is shut down for 5 minutes can maintenance be conducted
- Do not touch the components on the PCB directly; otherwise, components can be damaged by static
- Make sure that all the screws are fastened after the maintenance

### 8.1. General maintenance and upkeep

Affected by environmental conditions(e.g. temperature, humidity or smog) and aging of internal components, the drive may malfunction. Therefore, daily inspection and maintenance on converter must be conducted during the process of storage and application. For the detailed information of daily inspection and maintenance, please refer to the following table:

Items	Examination Period		Check Points	Criteria and maintenance
	Non periodic	Periodic		
Environmental	✓		1. Temperature & Humidity 2. Dust, abnormal gases	1. Temperature in allowable range 2. Dust free environment. No flammable/ explosive gases in vicinity
Cooling System		✓	1. Installation environment 2. Cooling fan 3. Heatsink	1. Good ventilation. No obstruction to air flow from the cooling fan. 2. Normal operation. No abnormal noise 3. No dust accumulation on the heatsink
Drive	✓		1. Vibrations, temperature 2. Noise 3. Leads and terminals	1. Unit stable during operation. Temperature rise within control 2. No abnormal noise from unit 3. All terminals fastened correctly. No stray wires.
Motor	✓		1. Vibrations, temperature rise 2. Noise	1. Stable operation and temperatures 2. No abnormal noise from the motor during operation

### 8.2. Inspection and replacing damaged parts

As for some of internal components, abrasion or performance degradation may be caused during use. To ensure stable and reliable operation, preventive maintenance on converter must be conducted. If necessary, please replace them:

The fan must be replaced after more than 20,000 hours of running.

The electrolytic capacitors must be replaced after approx 15,000 hours of running

### 8.3. Storage

This product can't be taken out from box until it's about to be installed. To ensure that it's still valid for warranty and available for maintenance in the future during the period of storage, please pay attention to the following points:

- Relative humidity must be within the range between 0% and 95%; no condensation is permitted;
- Ambient temperature must be within the range between -20°C and +60°C
- Converter must be stored in a dry place where there is no dust;
- It must be protected from caustic fluids;
- It must be packed properly and put on the shelf or desk.

### 8.4. Product Warranty

Any of the following situations will be our company's responsibility, which will be considered and guaranteed:

- The warranty period for this product is 18 months but only 12 months for final buyer. During the period, any
- damage or fault without any wrong operation will be our responsibility to fix, which is free of charge.
- Maintenance fee will be charged accordingly if warranty expires.
- Regarding the faults caused by the following points, extra fee will need to be charged as service fee:

1. Fault caused by faulty operation which is not in conformity with manual or specification
2. Fault caused by unauthorized maintenance modification;
3. Damage caused during the transportation or improper safekeeping;
4. Fault caused by misuse failure

## 9. EXTERNAL COMMUNICATION

The drive features external communication on the form of MODBUS RTU over RS485 interface, which is compliant with International Communication Standards. Centralized control can be implemented by PC/PLC as well as superior controller to adapt specific requirements for applications, including setting of control command, operating frequency, modification of parameters for relevant function code, monitoring of operating status or malfunction.

### 9.1. Protocol Content

Modbus, also known as serial communication protocol, has defined its frames and format during the asynchronous transmission, including the format of polling to the host, broadcast frames and response frames to slave controller. The frames generated by the host included slave address/broadcast address, executive command, data & error correction; and the response of the slave controller has the similar frames as the host, including confirmation of instructions, data feedback and error correction. If any error happens when the slave controller receives the frames, or any instruction requested by the host can't be done, it will generate a malfunction frame and send feedback to the host.

#### 9.1.1. Application mode

The drive is compatible with control network equipped with RS485 bus which has single host & multiple slave controllers.

#### 9.1.2. Bus Structure

##### 1. Hardware Interface

RS485 hardware interface

##### 2. Transmission mode

Serial, asynchronous, half-duplex communication

##### 3. System with single host and multiple slave controllers

The range of slave address should be 1~127; the number 0 stands for broadcast communication address. Every single slave address on the network is unique, which is the foundation of Modbus serial communication.

### 9.2. Protocol Instructions

The protocol of VFD-S Series Converter is a kind of serial & asynchronous communication protocol with principal and subordinate Modbus; there is only one device(host) could set up protocol (named "query /command"), and the other devices(slave) can only response to the host's "query /command" by sending data, or issue commands/instructions according to the "query /command" from the host. The host herein mainly refers to personal computer, industrial control facility or Programmable Logic Controller (PLC); and the slave herein mainly refers to the drive or the other control facilities with similar/same communication protocol. The host can not only communicate with a certain slave controller independently but also send broadcast message to all the slave controllers. As to any independent access to the host's "query /command", a message (called response) must be sent out from the slave controller; however, regarding the broadcast message issued by the host, it's not necessary for the slave controller to send feedback to the host.

### 9.3. Frame Structure

In the RTU mode, the format of each byte is as follow: encoding system -8-bit binary system, there are two hexadecimal characters included in every 8-bit frame (hexadecimal characters include 0~9 & A~F). The transmission of new frame will always be restarted with a interval of 3.5 bytes transmission time. When it's connected with the Internet of which transmission rate is calculated by Baud rate, 3.5-byte transmission time is easy to be controlled. The data fields of transmission will be sent in sequence as below: slave address - operating command code - data & CRC check word; and transmission byte of each field are hexadecimal (0~9, A~F). The networking devices will always monitor the operation of communication bus; when the first domain (address information) is received, it will be confirmed again by each networking device; when the transmission of last byte is done, there will be a interval of 3.5 bytes transmission time to identify the end of this frame. After that, transmission of new frame will be started again.

Frame format of RTU data					
	MODBUS Message				
Initiate; an interval of at least 3.5 bytes	Slave address	Function Code	Data	Verification	Terminate; an interval of at least 3.5 bytes

A frame message must be transmitted in a consecutive data stream; if the interval is more than 1.5-byte transmission time before transmission of the whole frame is finished, those incomplete messages will be cleared by the receiver which will take the next byte as part of address field of new frame by mistake; likewise, if the interval is less than 3.5- byte transmission time, the receiver will identify it as the extension of last frame. Because of disorder of frames, CRC value will be incorrect, which may result in malfunction.

Standard Structure of RTU Frame :

Frame header	T1-T2-T3-T4 (3.5-byte transmission time)
Slave address	Communication address: 0~147(decimal system) / (Zero stands for broadcast communication address)
Function domain	0x03: reading parameters of slave controller 0x06: programming parameters of slave controller
Data field	2*N-byte data is not only the main content of communication but also the core of data exchange during the communication.
Checksum	Estimated value: CRC value (16BIT)
Frame termination	T1-T2-T3-T4 (3.5-byte transmission time)

## 9.4 Command code and data description

### 9.4.1 Format of No.1 address for Setting as follows, setting frequency 50Hz (P0-03)

Host command		Slave Response	
Frame header	3.5 byte interval	Frame header	3.5 byte interval
Slave address	0x01	Slave address	0x01
Function code	0x06	Function code	0x06
Register Address	0x0003	Register Address	0x0003
Register information	0x01F4	Register information	0x01F4
Checksum	0x79DD	Checksum	0x79DD
Frame termination	3.5 byte interval	Frame termination	3.5 byte interval

### 9.4.2 Format of No.1 address for reading as follows, setting frequency (P0-03)

Note: register number must be one only when reading

Host command		Slave Response	
Frame header	3.5 byte interval	Frame header	3.5 byte interval
Slave address	0x01	Slave address	0x01
Function code	0x03	Function code	0x03
Register Address	0x0003	Register Address	0x0002
Register information	0x0001	Register information	0x01F4
Checksum	0x740A	Checksum	0xB853
Frame termination	3.5 byte interval	Frame termination	3.5 byte interval

### 9.4.3 Frame format of response error as follows, setting frequency 60Hz (PO-03)

Type of error:

01H - Data address overrun

02H - Number of data overrun & read-in data content exceeding bounds (ceiling & floor)

03H - Operating, no read-in data are permitted

Host command		Slave Response	
Frame header	3.5 byte interval	Frame header	3.5 byte interval
Slave address	0x01	Slave address	0x01
Function code	0x06	Function code	0x86
Register Address	0x0003	Error code	0x0002
Register information	0x0258	Checksum	0xC3A1
Checksum	0x7950	Frame termination	3.5 byte interval
Frame termination	3.5 byte interval		



#### 9.4.4 CRC Mode

RTU frame format is mainly applied to CRC (Cyclical Redundancy Check), error detecting field based on CRC is included in the message. CRC domain can detect all the information of message, which is two bytes with 16-bit binary value included. It will be added into the message after the calculation of transmission devices. The receiver will recalculate the CRC receiving the message, and compare it with the values in the CRC domain received by devices; if the CRC value is not equivalent to another one, it proves that there is error in the transmission

CRC will write 0xFFFF in superior host, and call a program to process the consecutive 8 bytes in the message as well as the values in the register. Only 8-bit data of each character is valid to CRC, the others are all invalid, including start bit, stop bit and parity check bit.

During the operation of CRC, each of 8-bit character is exclusive (XOR) with register content separately; result will be inclined to the least significant bit(LSB) while the most significant bit will be filled with Zero. LSB will be extracted from the data for checking; if LSB is one, register will be exclusive(XOR) with preset value separately; if LSB is zero, calculation will not be conducted. This instruction of process will repeat for 8 times; when it comes to the last bit (8th bit), the next 8-bit bytes will be exclusive(XOR) with register value again. The final value in the register is the CRC value after the calculations of all the bytes in the message.

When CRC is added into the message, lower byte will be added first, then the high byte. The simple function of CRC is as follows:

```
unsigned int crc_chk_value ( unsigned char *data_value,unsigned char length )
{
    unsigned int crc_value=0xFFFF;
    int l;
    while ( length-- )
    {
        crc_value ^= *data_value++;
        for ( i=0;i<8;i++ )
        {
            if ( crc_value&0x0001 )
            {
                crc_value= ( crc_value>>1)^0xa001;
            }
            else
            {
                crc_value = ( crc_value>>1);
            }
        }
    }
    return ( crc_value ) ;
}
```

## 9.5 Read-write rules of parameter address for function code

### 9.5.1 Monitoring Parameters

Address	Parameter
30000	Set Frequency
30001	Output Frequency
30002	Carrier Frequency
30003	Output current
30004	Output voltage
30005	Bus voltage
30006	Motor's RPM
30007	%Full load current
30008	IGBT temperature
30009	%Output power
30010	Count value
30018	Fault code

### 9.5.2 Commanding the drive over communication

The control register address is 42000. The register values and actions are mentioned in the table below. Kindly note that the control mode for running (P0-02) should be set to "3: Control over Communication" for these settings to work.

Value	stored Action
1	FWD Run
2	REV Run
5	FWD Jog
6	REV Jog

Value	stored Action
8	Coast to stop
9	Normal stop
10	E-Stop
15	Fault Reset

### 9.5.3 Drive status

The address 30016 stores the current status of the drive.

Value	Stored Action
1	FWD Run
2	REV Run
3	Standby
4	Fault Condition

## 10. APPENDIX

### 10.1 Technical Specifications

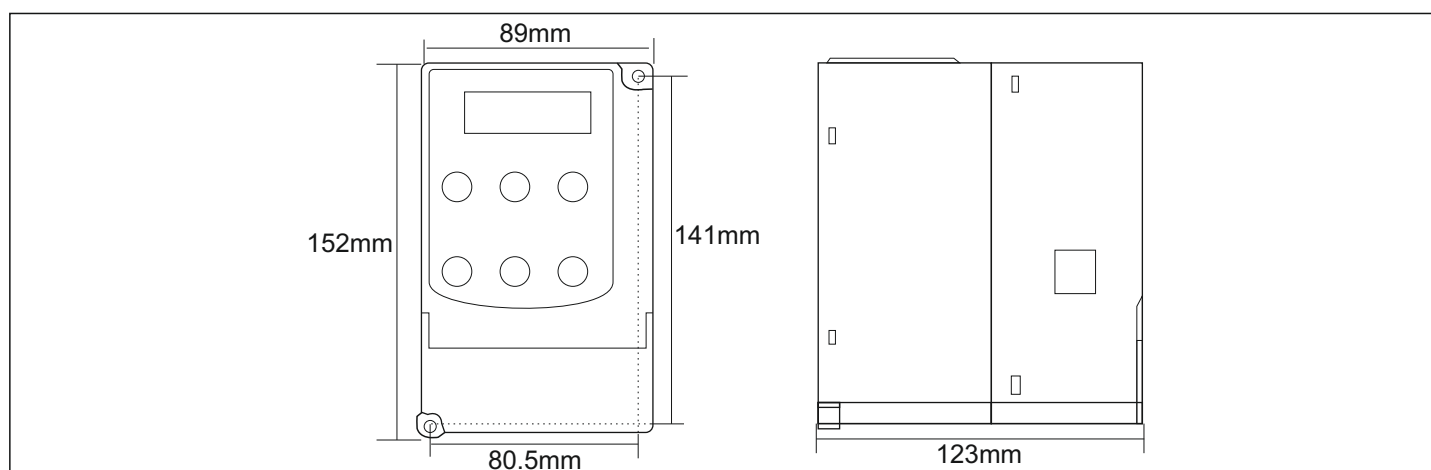
<b>Power supply</b>	Rated input voltage/ frequency	Single Phase 230 VAC 50/60 Hz
	Permissible voltage fluctuation	230 V $\pm$ 15 %
	Permissible frequency fluctuation	$\pm$ 5 %
<b>Control Characteristic</b>	Control mode	Space Vector PWM Based Scalar Control
	Frequency Control range	0.1 ~ 400 Hz
	Frequency Accuracy	Digital setting 0.01 %, Analog instruction 0.1 % (Max frequency)
	Frequency Resolution	HMI Terminal and analog inputs 0.1 Hz for 0.1 Hz to 99.9 Hz; 1 Hz for 100 Hz to 400 Hz Communication - 0.1 Hz for 0.1 Hz to 400 Hz
	Acceleration / deceleration time	0.1 ~ 999.9 Sec. Four acceleration/deceleration time settings available
	Multi Speed running	Built-in program using Simple PLC feature
	Built-in PI	Easy to set up a simple Automatic control system
	Built-in Counter	Automatically Controlled Production line can be achieved
<b>Control Characteristic</b>	Overload Capacity	150 % for 1 min, 180 % for 10 sec, 200 % for 1 sec (For every 60 min)
	V/f mode	4 pre-set V/f mode and 1 User Defined V/f program
	Energy Efficient Running	Changes the V/f curve according to the load to reduce energy consumption
	Automatic current limit	Handles behaviour of drive during accelerating heavy inertia loads which in other cases would cause an overcurrent condition
	Automatic Voltage Regulation	Regulates the voltage automatically whenever there is a change in grid voltage
<b>Operation Function</b>	Operation commands	Keypad, External terminals, External communication using MODBUS
	Frequency setting	Keypad Up/Down keys, Keypad encoder, External potentiometer, Analog inputs (0-20 mA/ 4-20 mA/ 0-10 V), MODBUS communication
	Input signal	4 User Selectable (PNP/NPN) Multifunction Inputs
	Output signal	1 User Selectable Multifunction Relay Output (250 V/5 A Contact)

<b>Protection Functions</b>		Over Current, Over Voltage, Under Voltage, Over- Temp, Overload, Under Current, Short Circuit, System Error
<b>Display</b>	Display parameters	Parameters setting, Running status and Fault display
	Display Type	HMI with 5 keys, Potentiometer 4 x 7 segment with 4 LED display
<b>External comm.</b>	Protocol	MODBUS RTU over RS485 with a maximum baud rate of 9600
<b>Operating conditions</b>	Operating environment	Temperature: -10°C ~ +55°C, Humidity: < 90 %, No condensation, IP20 Indoor, <1000 m altitude above sea level
	Storage temperature	-20°C ~ +60°C
	Vibration	<5.9 m/s <sup>2</sup> (0.6 g)

### 10.2 Product Dimensions



#### (Keypad dimension)



Product Code	Mounting Dimension		Dimension			Pore Diameter (mm)	Weight (kg)
	length (mm)	wide (mm)	length (mm)	wide (mm)	height (mm)		
VFD-L-1-005-230 V	141	80.5	152	89	123	φ4.6	1.2
VFD-L-1-010-230 V							