



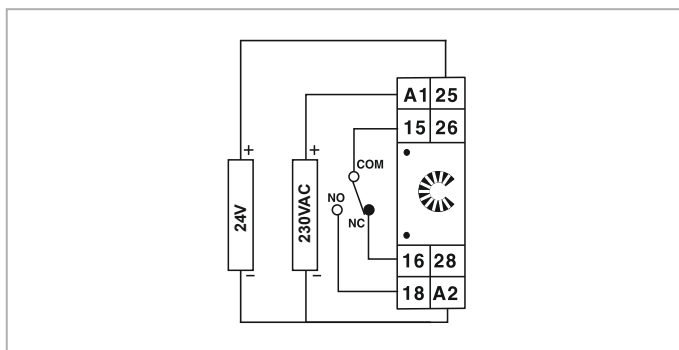
Features:

- ▶ ON delay / Interval
- ▶ 8 time ranges
- ▶ Dual supply voltage
- ▶ LED Indications: Power ON, Relay ON
- ▶ Finger safe terminals

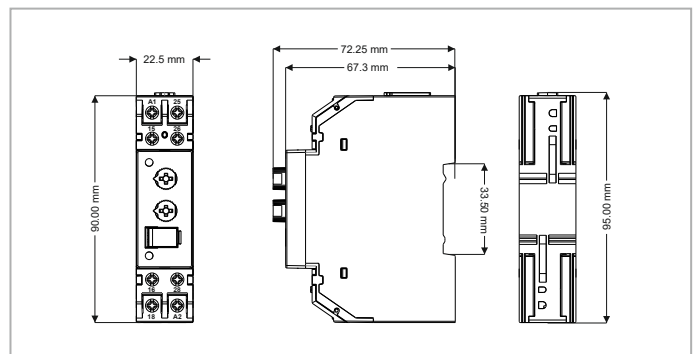
Technical specifications

Display specifications	
LED indications	Power ON, Relay ON
Input specifications	
Accuracy	±5% of F.S.
Repeat	±0.5% or 50msec (F.S.= full scale)
Output specifications	
Relay contact	1 C/O SPDT
Contact rating	5A @250V AC or 24V DC, Resistive
Functional specification	
Modes	ON delay / Interval
Time ranges	0-3 sec / min, 0-10 sec / min, 0-30 sec / min, 0-60 sec / min
Resolution	0.3 sec
Reset	ON power interruption, Reset time <100msec
Auxiliary supply specifications	
Supply voltage	230V AC & 24V AC / DC (50/60 Hz), ±10% tolerance
Power consumption	6VA max
Environmental specification	
Temperature operating	0 to 50 °C (32 to 122 °F)
Storage	-20 to 75 °C (-4 to 167 °F)
Humidity (non - condensing)	95% RH
Mechanical specifications	
Mounting	DIN rail
Weight	84 gm

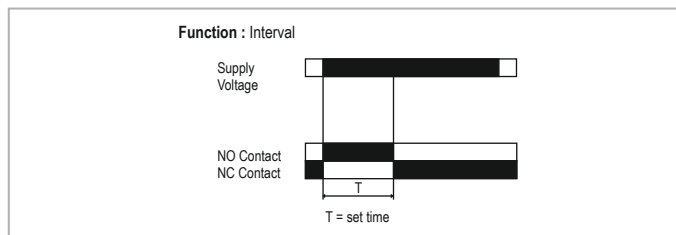
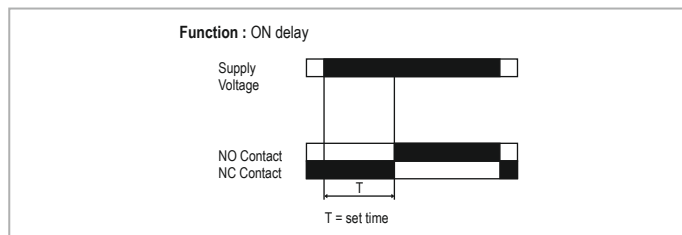
Terminal connections



Dimensions (all are in mm)



Timing diagram



Standards compliance

Applicable EMI / EMC standards		
Product standard- IEC 60947-5-1		
Category	Reference standards	Testing level
Electrostatic discharge	IEC 61000-4-2	Level-3
Electrical fast transient / Burst	IEC 61000-4-4	Level-3
Electromagnetic field	IEC 61000-4-3	Level-3
Surge	IEC 61000-4-5	Level-3
Conducted RF	IEC 61000-4-6	Level-2
Rated power frequency	IEC 61000-4-8	Level-4
Voltage dip / Short interruptions	IEC 61000-4-11	Level-3
Conducted emissions	CISPR-11	Class-A
Rated emissions	CISPR-11	Class-A
Safety	IEC 61010-1	

Ordering information

Product code	Supply voltage	Certification
800SQ-A	230V AC & 24V AC/DC	CE