



Features:

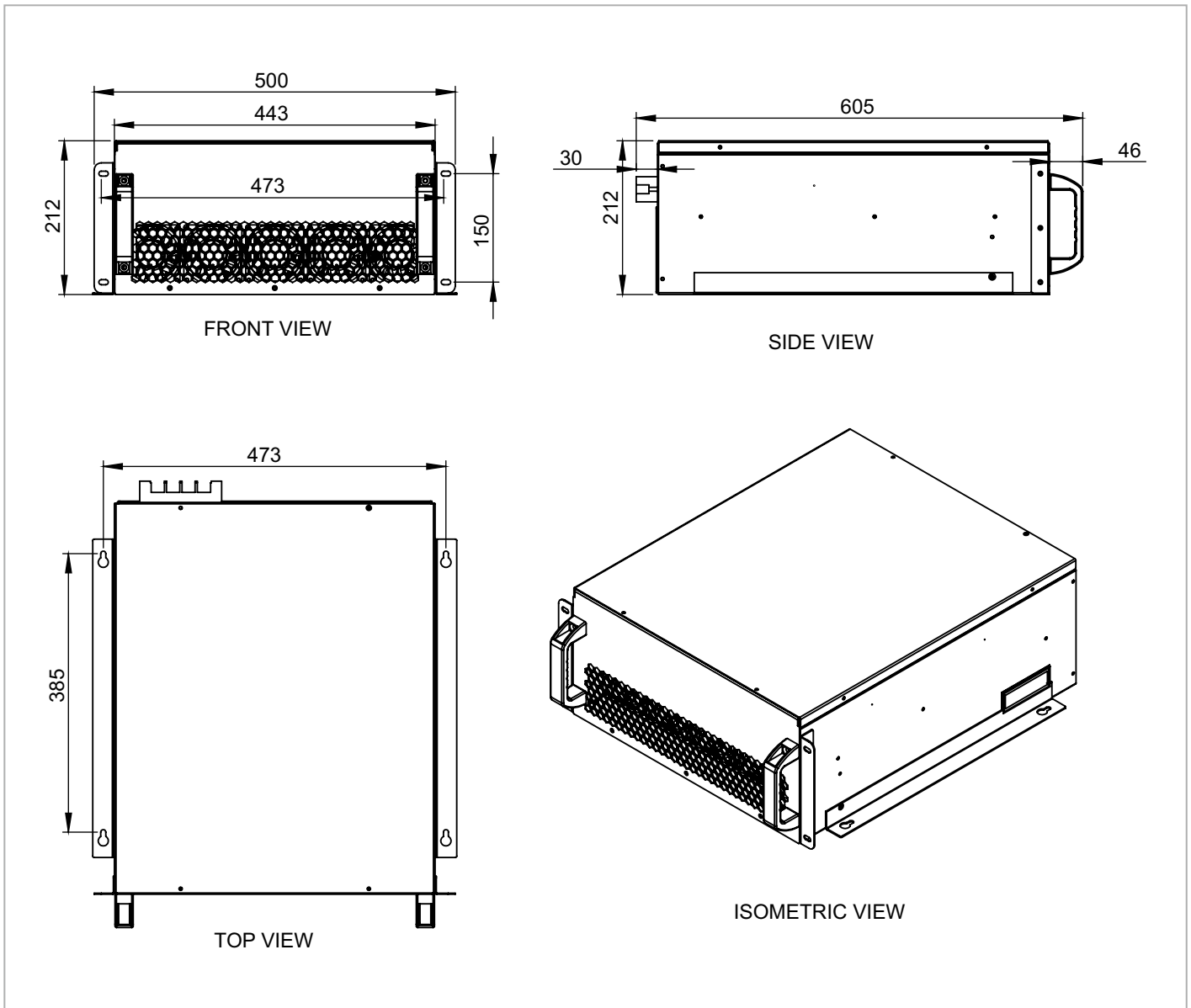
- ▶ Real time, dynamic step-less compensation
- ▶ Instant response time of 50 μ sec & full response within 1 cycle
- ▶ Capacitive (Leading) & Inductive (Lagging) reactive power mitigation
- ▶ Advance feature- Harmonic correction up to 15th order
- ▶ RS485, Optional Wi-Fi / Ethernet modular arrangement-parallel operation up to 8 module
- ▶ Can be installed with conventional capacitor banks

Technical specifications

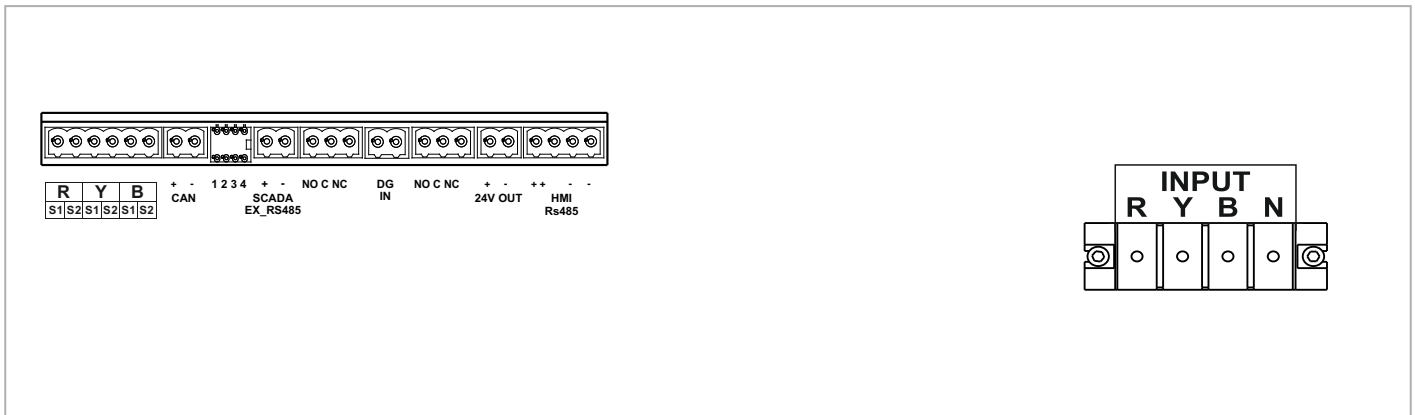
Main	
Product name	ASVG
Product or component type	Advanced static var generator
System Parameter	
Network configuration	3P-3W / 3P-4W
Line - Line voltage	308V to 460V
Operating voltage range (P-N)	178V to 265V
Frequency	50/60 Hz (± 2.5 Hz)
Power efficiency	>97%
Compensation efficiency	>98%
Incomer protection	External short circuit protection device mandatory
CT ratio	Settable through HMI up to 30000/5A
CT location	Load side (default) / Grid side
Rated RMS current	42A
Reactive power compensation and load balancing	As per priority & based on site (Q+H+B, H+Q+B)
Inverter topology	Three level neutral point clamped
Performance	
Response time	<50 μ sec and full response within 1 cycle
Overall response time	<5ms
Target power factor	Adjustable from -1 to +1
Cooling	Forced air cooling, 112L / Sec
Operating modes	Power factor correction, Harmonic mitigation, Load balancing
Noise level	<65dB
Normal spectrum of compensation	Up to 15 th order of harmonics
Harmonic mitigation	21A
Protection type	Built in semi conductor fuse
Protection function	Over-voltage protection, Under-voltage protection, IGBT desaturation protection, over temperature protection desaturation , over-current protection
Communications and monitoring capabilities	
Local monitoring	4.3" HMI display
Digital Inputs	1 DI - Programmable for DG input
Digital outputs	2 DO - Programmable for alarms
Communication ports	RS485 (default)
Communication protocols	MODBUS-RTU (default)
Software updates	Through RS485 port using customised utility

Mechanical properties	
Mounting type	Wall / Rack mount
Dimensions (W × D × H) mm	500*212*605
MCCB	63A
Colour	RAL9004
Environment conditions	
Altitude	<2000m
Operating temperature	-10 °C to 45 °C
Relative humidity	95% RH; Non condensing
Protection class	IP 20
Certification and standard	EN 50178:1997 / IEC 50178:1997
Certification	EN 61000_6_2(2005) / EN55011, GROUP1, CLASS A IEC 61000_6_2(1999) / CISPR11, GROUP1, CLASS A
ASVG Series performance requirement	EN 50091-3 / IEC 62040-3 / AS 62040-3 (VFI SS 111)

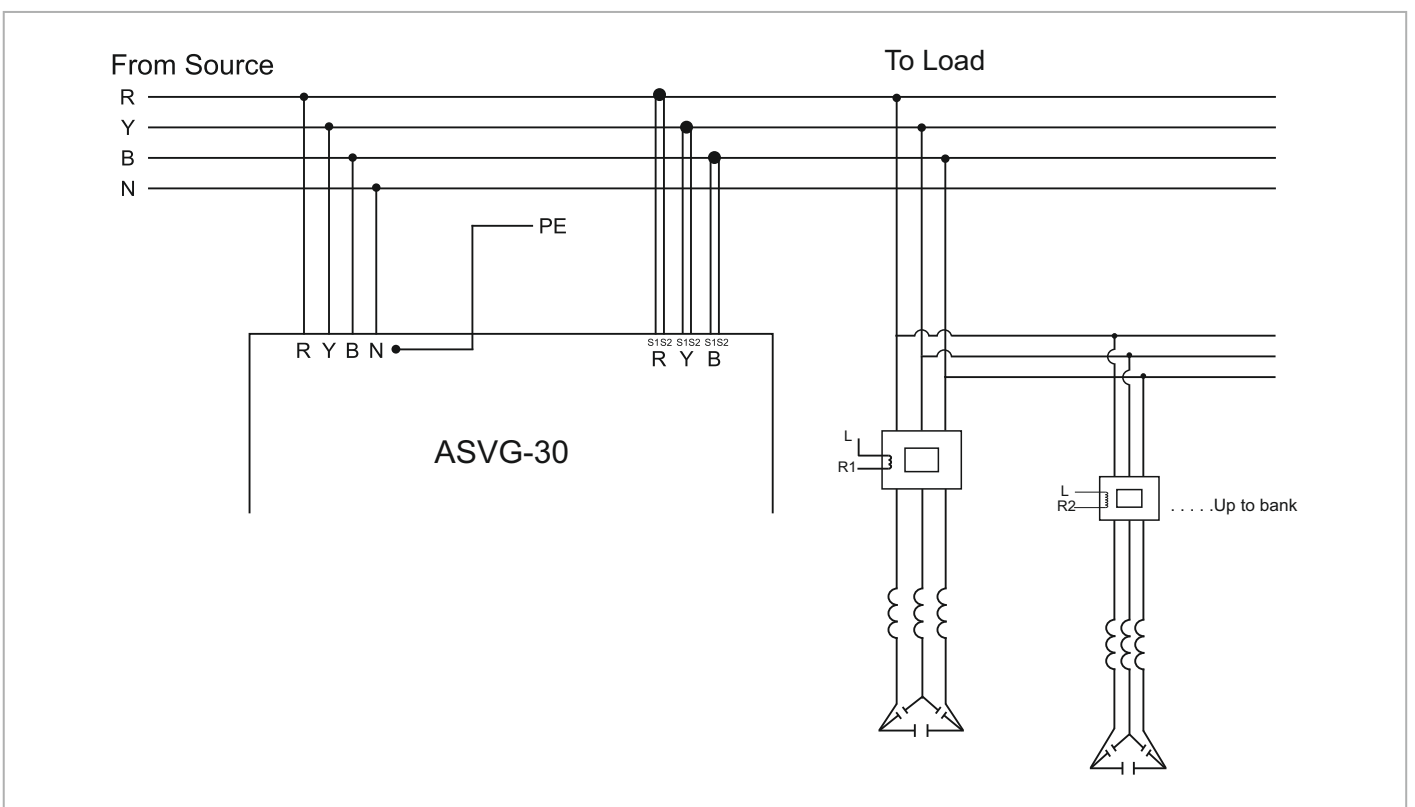
Mechanical dimensions



Terminal diagram



Terminal connection



Ordering information

Product code	Description
ASVG-030-RCK-4P-04-B	Advance Static Var Generator 30kVAR B, Rack mounted, 3P-4W with 4.3 inch HMI
ASVG-030-WLL-4P-04-B	Advance Static Var Generator 30kVAR B, Wall mounted, 3P-4W with 4.3 inch HMI
ASVG-030-WLL-4P-XX-B	Advance Static Var Generator 30kVAR B, Wall mounted, 3P-4W without display

Note : For XX Model separate common controller is mandatory