

TO PROGRAM SET TIME :

FOR ON DELAY / INTERVAL MODE :
Press **■ + ▲ / ▼** to program set time.

For Cyclic mode :
ON time - Press **■ + ▲ / ▼** to program on time

OFF time - To enter programming of off time
press **▲ + ▼** for 3sec. When in Off
time programming, the LSD dp blinks
Then press **■ + ▲ / ▼** to set off time.

To Exit programming press **▲ + ▼** for 3sec or
auto program out after 60sec if no key is pressed.

TO RESET :

For On delay / Interval mode : Press **▲ + ▼** for
0.6sec to reset.

For Cyclic mode : Front reset not valid.
Reset only through pulse given
From rear terminals.

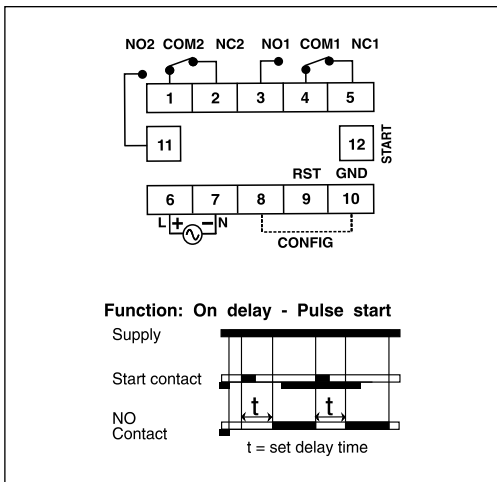
USER GUIDE

Typical applications of Pulse start & Gate start input:

1. ON Delay with Pulse start input:

- i. Terminal connections shall be as per fig. 1
- ii. Timing starts on momentary closure of Start switch.
- iii. If Start switch is kept closed continuously, the timing will start at every power ON or reset.

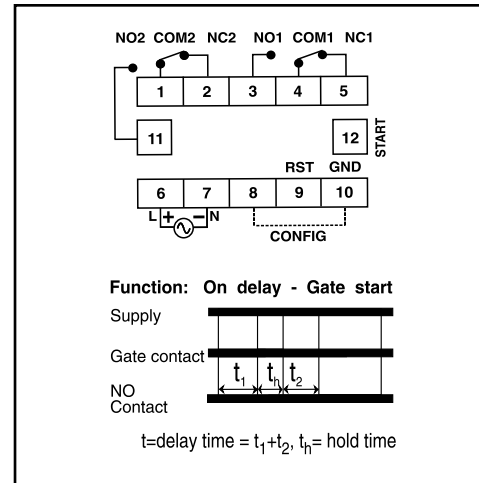
**XT543-N in ON Delay mode and Pulse start input:
Fig.1 Terminal Connections**



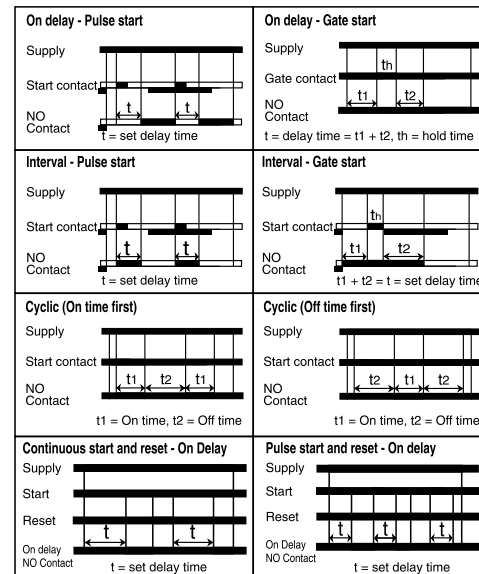
2. ON Delay with Gate start Input:

- i. Terminal connections shall be as per fig. 2.
- ii. Timing starts at power ON.
- iii. When the start switch is closed, the timing is held and it proceeds only after the start switch is released.

**XT543-N in ON Delay mode and Gate start input:
Fig.2 Terminal Connections**



OPERATING MODES



(Specifications are subject to change, since development is a continuous process.)

Selec Controls Pvt. Ltd.

Factory Address : EL-27/1, Electronic Zone, TTC Industrial Area, MIDC, Mahape, Navi Mumbai - 400 710, India.

Website : www.selec.com

For Sales & Support,

Tel. No. : +91-22-41418468 / 452

Mob. No. : +91-9136977315, **Email :** sales@selec.com

For Service,

Tel. No. : +91-7498077172 / +91-7400069545

Email : service@selec.com