

DIN 22.5mm

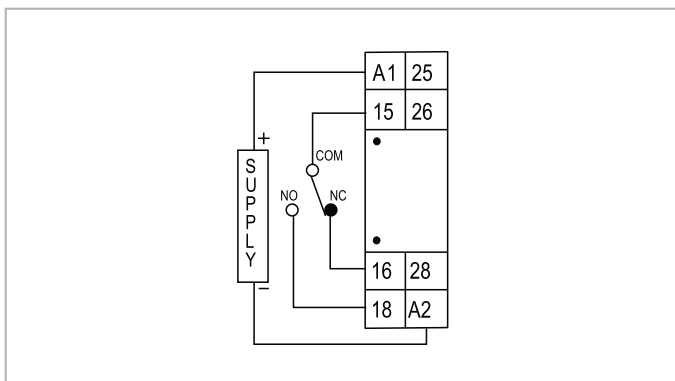
### Features:

- ▶ Lowest cost, Single function
- ▶ LED indications: Power ON, Relay ON
- ▶ Finger safe terminals

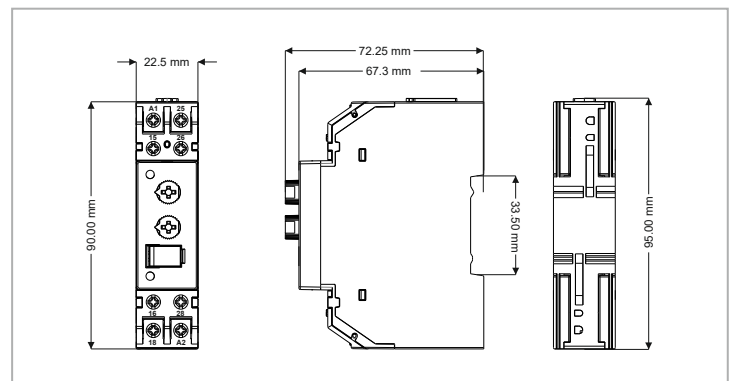
## Technical specifications

Display specifications	
LED indications	Power ON, Relay ON
Input specifications	
Accuracy	Setting: $\pm 5\%$ of F.S., Repeat: $\pm 0.5\%$ or 50msec (F.S.= Full scale)
Output specifications	
Relay contact	1 C/O SPDT
Contact rating	5A @250V AC / 24V DC, Resistive
Functional specification	
Modes	ON delay
Time ranges	60 sec
Reset	On power interruption Reset time < 100msec
Auxiliary supply specifications	
Supply voltage	For 800S-1-ON-60S-230: 240V AC 50/60 Hz, For 800S-1-ON-60S-415: 415V AC 50/60 Hz
Environmental specification	
Temperature operating	0 °C to 50 °C (32 °F to 122 °F)
Storage	-20 °C to 75 °C (-4 °F to 167 °F)
Humidity (non - condensing)	95% RH
Mechanical specifications	
Mounting	DIN rail
Weight	100 gm

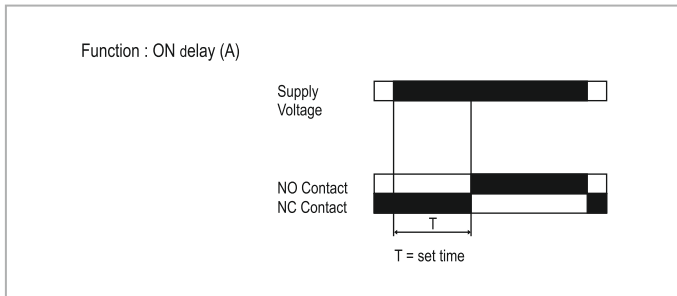
## Terminal connections



## Dimensions (all are in mm)



## Timing diagram



## Ordering information

Product code	Supply voltage	Certification
800S-1-ON-60S-230	230V AC	-
800S-1-ON-60S-415	415V AC	-

## Standards compliance

Applicable EMI / EMC standards		
Product standard- IEC 60947-5-1		
Category	Reference standards	Testing level
Electrostatic discharge	IEC 61000-4-2	Level-3
Electrical fast transient / Brust	IEC 61000-4-4	Level-3
Electromagnetic field	IEC 61000-4-3	Level-3
Surge	IEC 61000-4-5	Level-3
Conducted RF	IEC 61000-4-6	Level-2
Rated power frequency	IEC 61000-4-8	Level-4
Voltage dip / Short interruptions	IEC 61000-4-11	Level-3
Conducted emissions	CISPR-11	Class-A
Rated emissions	CISPR-11	Class-A
Safety	IEC 61010-1	