



Features :

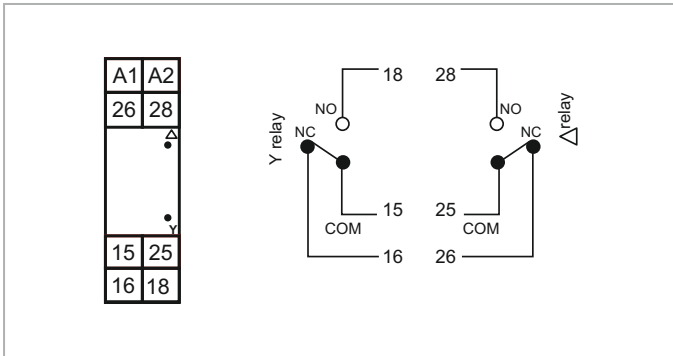
- ▶ Star delta
- ▶ 2 Time ranges
- ▶ LED indications : Star relay ON, Delta relay ON

Certifications :

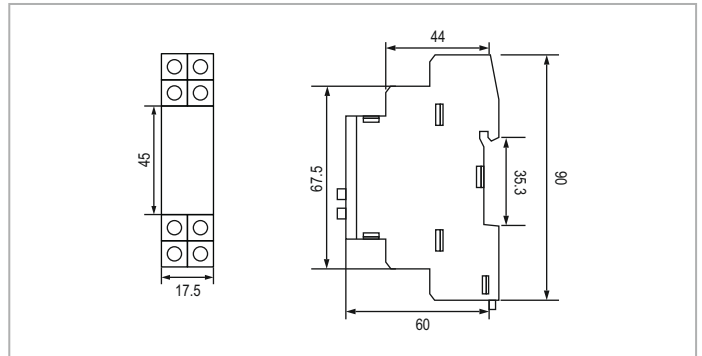
Technical specifications

Display specifications	
Display	Star relay ON, Delta relay ON
Input Specifications	
Accuracy setting	±5% of F.S.
Repeat	± 0.5% or 50msec (F.S. = Full scale)
Pause time	± 5% or ± 5msec
Output specifications	
Relay contact	1 C/O Relay each for star & delta
Contact rating	5A @ 250V AC or 24V DC
Functional specification	
Modes	Star - delta
Time ranges	Runup time range : 3 to 30sec, 6 to 60sec Pause time : 50 / 100msec (Setting through front knob)
Reset	ON power interruption, reset time <100 msec
Auxiliary supply specifications	
Supply voltage	230V AC (50 / 60Hz)
Power consumption	4VA max
Environmental specifications	
Temperature operating	0 to 50°C (32 to 122°F)
Storage	-20 to 75°C (-4 to 167°F)
Humidity (non - condensing)	95% RH
Mechanical specifications	
Mounting	Dinrail
Weight	73gms

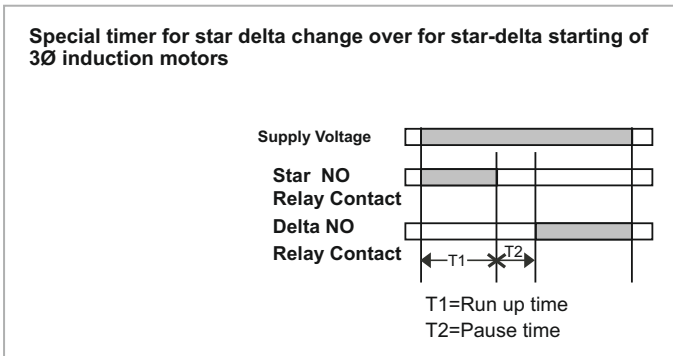
Terminal connections



Dimensions (All are in mm)



Timing diagram



Ordering information

Product code	Supply voltage	Certification
600SD-2-230V	230V AC	CE

Compliance

Applicable EMI / EMC standards		
Product standard - IEC 61326-1		
Category	Reference standards	Testing level
Electrostatic discharge	IEC 61000-4-2	Level-3
Electrical fast transient / Burst	IEC 61000-4-4	Level-3
Electromagnetic field	IEC 61000-4-3	Level-3
Surge	IEC 61000-4-5	Level-3
Conducted RF	IEC 61000-4-6	Level-2
Rated power frequency	IEC 61000-4-8	Level-4
Voltage dip / Short interruptions	IEC 61000-4-11	Level-3
Conducted emissions	CISPR-11	Class-B
Radiated emissions	CISPR-22	Class-A
Emission & immunity	IEC 61326-1	
Safety	IEC 61010-1	