



48 x 48mm

Features :

- 3 Digits, 7 Segment LED single display
- TC / RTD inputs
- ON - OFF / PID control
- Auto tuning / Self tuning
- Single set point
- °C / °F selectable
- Field selectable control output (Relay or SSR)

Display specifications

Display	3 Digits, 7 Segment LED single display Height of display 10mm
LED indications	R : Control output ON

Input specifications

Inputs	Thermocouple (J, K, T, R, S) / RTD (PT100)
Resolution	Fixed 1°
Indication accuracy	For J, K & T inputs : 0.25% of F.S. ±1°C For R & S inputs : 0.5% of F.S. ±2°C (20 min of warm up time for TC inputs) For RTD inputs : 0.1% of F.S. ±1°C (F.S. = Full scale)
Temperature unit	°C / °F selectable
Input filter (FTC)	0.2 to 10.0sec
Sampling time	250ms

Output specifications

Relay contact (SPDT)	10A @ 230V AC / 30V DC, Resistive
SSR drive (Voltage pulse)	12V DC, 30mA

Functional specifications

Control action	1) PID control with Auto or self tuning 2) ON - OFF control
Proportional band (P)	1 to 400°C, 1.0 to 752.0 °F
Integral time (I)	0.0 to 99.9 min
Derivative time (D)	0 to 999 sec
Cycle time	0.1 to 99.9 sec
Hysteresis width	0.1 to 99.9°C
Manual reset value	-19.9 to 19.9°C / °F

Auxiliary supply specifications

Supply voltage	90 to 270V AC / DC (50 / 60Hz)
Power consumption	6 VA max @ 230V AC

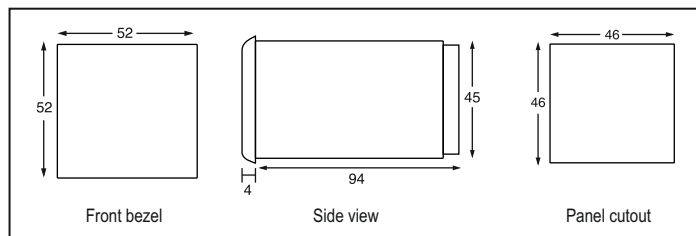
Environmental specifications

Temperature	Operating : 0 to 50°C (32 to 122°F) Storage : 20 to 75°C (-4 to 167°F)
Humidity (non - condensing)	95% RH

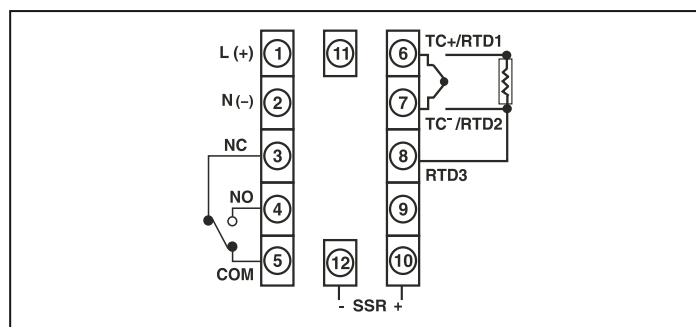
Mechanical specifications

Mounting	Panel
Weight	111 gms

Dimensions (All are in mm)



Terminal connections



Ordering information

Product code	Output 1	Supply voltage	Certification
TC513CX	RELAY SSR	90 - 270V AC / DC	---

Accessories (Optional)

Standard SELEC accessories that can be used with this product.

Adapter plate	1) AP7248 : Plastic adapter plate, used to mount 1/16 DIN (cutout size 48 x 48) Instrument into existing (72 x 72) cutout size. 2) AP9648 : Plastic adapter plate, used to mount 1/16 DIN (cutout size 48 x 48) Instrument into existing (96 x 96) cutout size. 3) AP4896-4848-G-C : Plastic adapter plate, used to mount 1/16 DIN (cutout size 48 x 48) Instrument into existing (48 x 96) cutout size.
---------------	--

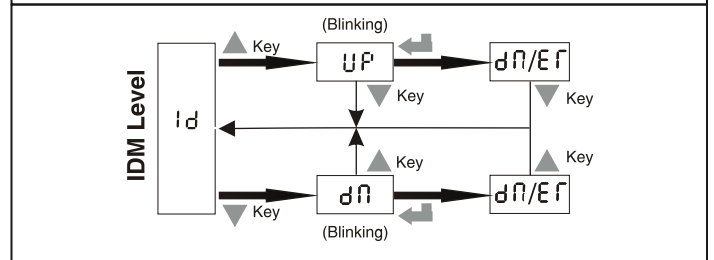
Mounting accessories (Supplied with units)

For 48 x 48 Collar clamp	ACL4802
--------------------------	---------

Input sensor ranges (For TC / RTD inputs)

Sensor type	Resolution	Ranges	
			1
PT100	°C		-150 to 850
	°F		-199 to 999
J	°C		-199 to 750
	°F		-199 to 999
K	°C		-199 to 999
	°F		-199 to 999
T	°C		-199 to 400
	°F		-199 to 750
R & S	°C		0 to 999
	°F		32 to 999

Independent Downloader module (IDM)



IDM Level	
Display	Parameter Description
ID	Independent Downloader Module
UP	Upload from product to IDM
DL	Download from IDM to product
DL	Operation Successful
EF	Operation unsuccessful