



DIN 70mm

Features :

- 1Ø - 2 wire input
- Automatic start & stop as per water level detection (Float switch)
- Monitors Dry/Under Current, Over Current, Locked Current, Over Voltage, Under Voltage, Phase Failure and Overload
- LED indication : Power ON, Trip relay
- Test & Reset function via key & terminal
- Direct Current measurement upto 32A
- Capacitor cut off feature

Display Specifications

| | |
|------------|--|
| Display | 3 Digits, 7 Segment LED display |
| No of LED | 2 LED 1- Red LED for relay status indication LED 2- Green LED for pump status indication |
| No of keys | 3 1- Set 2- Up / Test 3- Down / Reset |

Output Specifications

| | |
|----------------|-------------|
| Control output | 2 NO relay |
| Relay rating | 30A@277V AC |

Auxilliary Supply Specifications

| | |
|-------------------------|------------------------|
| Operating voltage range | 180 to 300V AC (L - N) |
| Power consumption | 40VA |
| Frequency | 50 - 60Hz |

LED Indication Chart

| Condition | Trip LED (Red) | 'PUMP' LED (Green) |
|--------------------|----------------|--------------------|
| Healthy | OFF | OFF |
| Healthy & motor ON | OFF | ON |
| Fault present | ON | OFF |

Environmental Specifications

| | |
|---------------------------|---|
| Temperature | Operating temperature : 0°C to 55°C Storage temperature : -20°C to +70°C |
| Humidity (non-condensing) | Upto 95% RH |

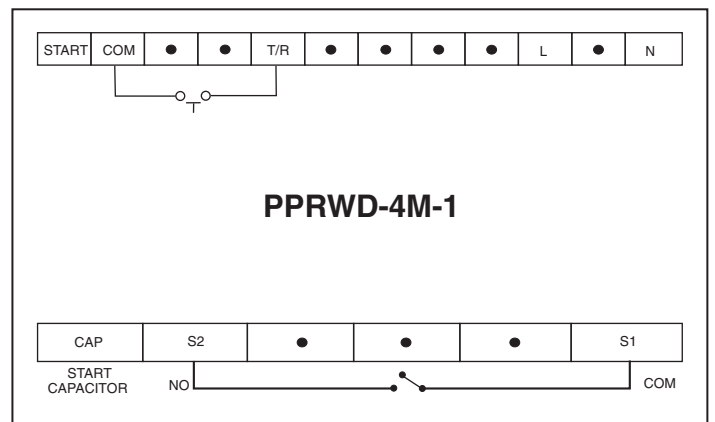
Input Specifications

| | |
|--|--|
| Measuring range | |
| A) Motor Rated Current | 1A to 30A |
| B) Voltage measuring range | 180 to 300V AC (L - N) |
| Time settings | |
| Power ON delay | 1sec (Fixed) |
| Trip time delay (Current & Voltage parameters) | 0 - 999sec |
| Recovery time (Current & Voltage parameters) | 1 - 999sec |
| Reset attempts | 3 (fixed) |
| Reset Attempt Time Frame | 1 - 999 mins |
| Hysteresis | |
| Voltage | 0 - 10V (NA for current parameters) |
| Accuracy | |
| Current accuracy | ±5% of rated current ±1 digit |
| Voltage accuracy | ±1% of 300V ±1 digit |
| Time accuracy | ±5% ±100msec |
| Functional specification | |
| Over load | NEMA class curve 5, 10, 15, 20, 30 |
| Over current ranges | [I _r (Rated current) + 1 to 32A] |
| Under current | [0.2A to I _r (Rated current) - 1] |
| Locked current / Stall current | [I _r (Rated current) + 1 to 32A] |
| Over voltage | 180 - 300V AC (L - N) |
| Under voltage | 180 - 300V AC (L - N) |

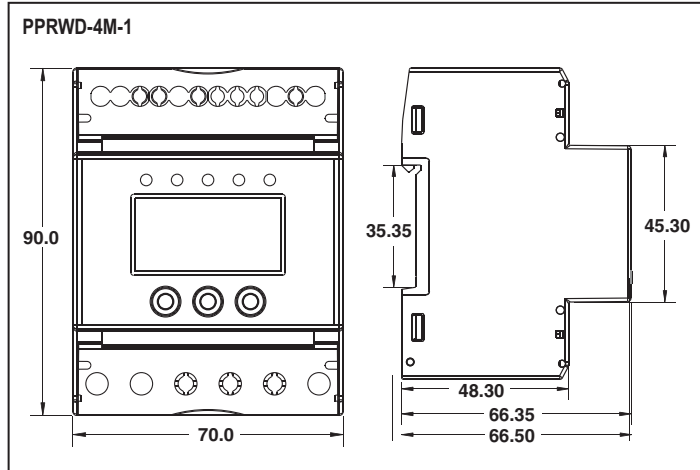
Mechanical Specifications

| | |
|-------------------------|-------------------------------|
| Mounting | DIN rail mount |
| Wire size (max) | 4sq.mm |
| Size | 66.50 x 70 x 90 x (H x W x L) |
| Screw tightening torque | 0.5 NM |
| Weight | 224 g approx |

Terminal Connections



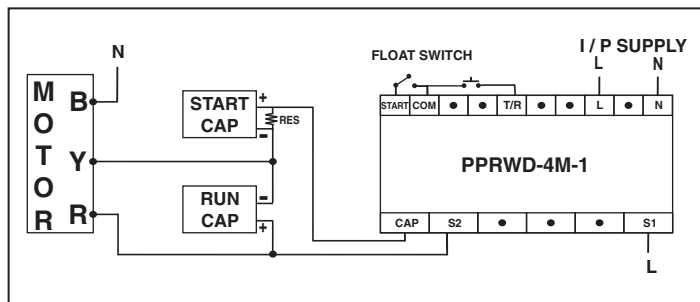
Dimensions (All are in mm)



Ordering Information

| Product code | Supply voltage | Certification |
|--------------|------------------------|---------------|
| PPRWD-4M-1 | 180 to 300V AC (L - N) | --- |

Connection Diagram



Note : - Resistor is used to discharge start capacitor in 30sec.

Recommended resistor value as per different motor rating

| Start Capacitor Value | Resistor Value |
|-----------------------|----------------|
| Upto 200uF/300VAC | 100kOhm/2W |

(Minimum 30sec delay required between two consecutive starts.)