



DIN 22.5mm

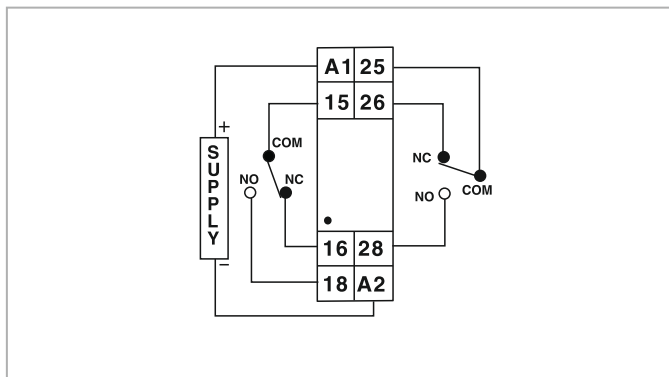
Features :

- ▶ True power OFF delay
- ▶ Fixed time range (180 sec)
- ▶ LED Indications : Power ON
- ▶ Finger safe terminals

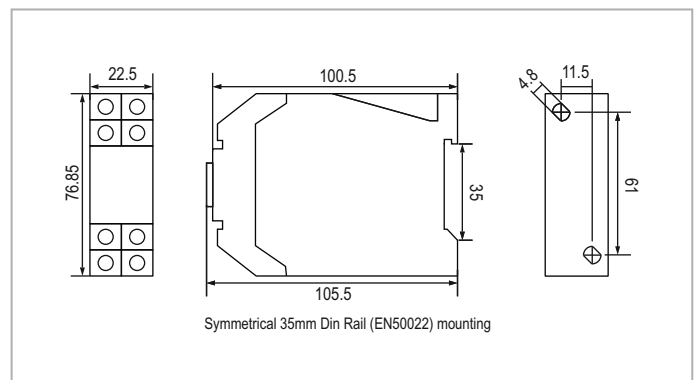
Technical specifications

Display specifications	
Display	Power ON
Input specifications	
Accuracy setting	±10% of F.S.
Repeat	± 2% or 100msec (F.S. = Full scale)
Output specifications	
Relay contact	2 C/O SPDT
Contact rating	5A @ 250V AC or 24V DC resistive load ±10% for both V & I
Functional specification	
Modes	True power OFF delay
Time ranges	180 sec
Reset	ON power interruption, Reset time <100 msec
Auxiliary supply specifications	
Supply voltage	110 to 240V AC / DC (50 / 60Hz) , -15% to 10% Tolerance
Power consumption	2.5VA max
Environmental specification	
Temperature operating	0 to 50°C (32 to 122°F)
Storage	-20 to 75°C (-4 to 167°F)
Humidity (Non - condensing)	95% RH
Mechanical specifications	
Mounting	DIN Rail
Weight	115gms

Terminal connections



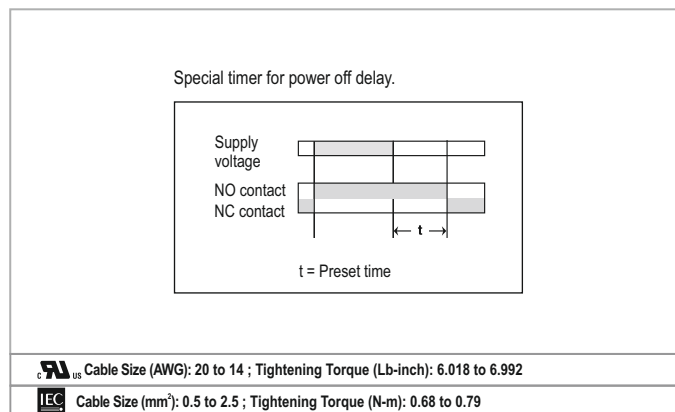
Dimensions (All are in mm)



Standards Compliance

Applicable EMI / EMC Standards		
Product Standard : IEC 61326 - 1		
Category		Standards Compliance
ESD Immunity	IEC 61000 - 4 - 2	Level IV (Air Discharge : 15kV), (Contact Discharge : -8kV)
Surge immunity	IEC 61000 - 4 - 5	+ / - 2kV Common Mode, (Line to Ground) + / - 1kV differential Mode, (Line to Line)
Radiated susceptibility	IEC 61000 - 4 - 3	Level III, 80 to 1000MHz (10V / m) Level II, 1.4GHz to 2GHz (3V / m) Level I, 2GHz to 2.7GHz (1V / m)
Conducted susceptibility	IEC 61000 - 4 - 6	Level II (3V / m)
Voltage dips and interruptions	IEC 61000 - 4 - 11	Dips : 0% residual voltage / 1 cycle (Criteria B), 40% residual voltage / 10 cycles 50Hz / 12 cycles 60Hz (Criteria C) 70% residual voltage / 25 cycles 50Hz / 30 cycles 60Hz (Criteria C) Interruptions : 0% residual voltage / 250 cycles 50Hz / 300 cycles 60Hz (Criteria C)
Conducted emission	CISPR - 11	
Radiated emission	CISPR - 11	
Electrical fast transient	IEC 61000 - 4 - 4	Level III (2kV)

Timing Diagram



Ordering information

Product code	Supply voltage	Certification
800POD-IR	110 to 230V AC/ DC	—