

DIN 22.5mm

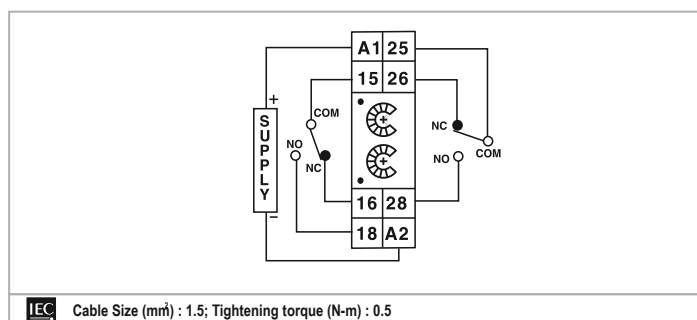
### Features:

- ▶ Cyclic timer with unequal ON & OFF time
- ▶ 6 Time ranges
- ▶ Universal supply voltage
- ▶ LED Indications: Power ON, Relay ON
- ▶ Finger safe terminals

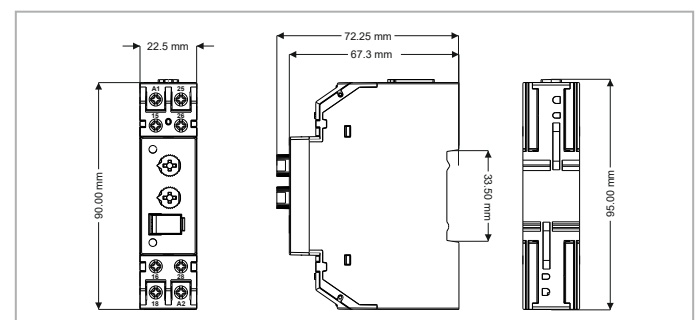
## Technical specifications

Display specifications	
Display	Power ON, Relay ON
Input specifications	
Accuracy setting	±5% of F.S.
Repeat	±0.5% or 50msec (F.S.= Full scale)
Output specifications	
Relay contact	2 C/O SPDT
Contact rating	5A @250V AC or 24V DC, Resistive
Functional specification	
Modes	Asymmetrical cyclic ON first or OFF first
Time ranges	0-1 sec/min/hr (ON Time), 0-10 sec/min/hr (ON time), 0-1 sec/min/hr (OFF Time), 0-10 sec/min/hr (OFF time)
Resolution	0.1sec
Reset	ON power interruption, Reset time <100msec
Auxiliary supply specifications	
Supply voltage	20 to 240V AC (50/60 Hz), 12 to 240V DC
Power consumption	2VA max
Environmental specification	
Temperature operating	0 to 50 °C (32 to 122 °F)
Storage	-20 to 75 °C (-4 to 167 °F)
Humidity (Non - condensing)	95% RH
Mechanical Specifications	
Mounting	DIN rail
Weight	110 gm

## Terminal connections



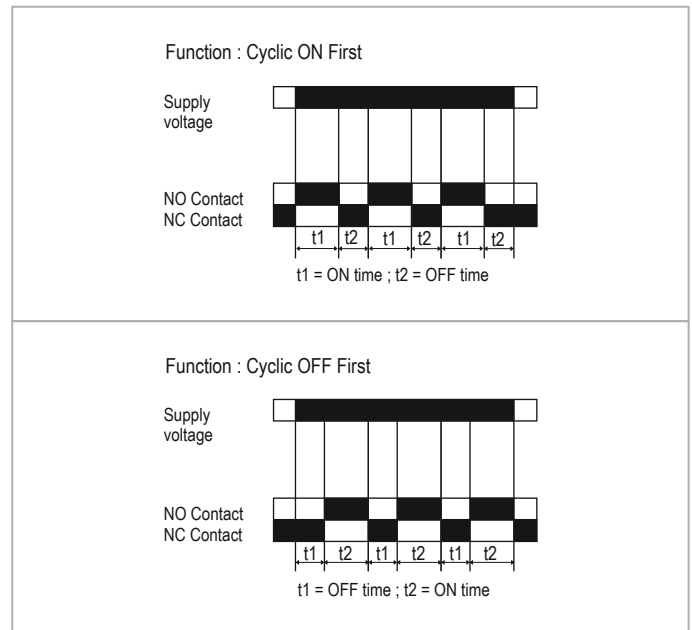
## Dimensions (all are in mm)



## Standards compliance

Applicable EMI / EMC Standards		
Product standard: IEC 60947-5-1		
Category	Reference standards	Testing level
Electrostatic discharge	IEC 61000-4-2	Level-3
Electrical fast transient / Brust	IEC 61000-4-4	Level-3
Electromagnetic field	IEC 61000-4-3	Level-3
Surge	IEC 61000-4-5	Level-3
Conducted RF	IEC 61000-4-6	Level-2
Rated power frequency	IEC 61000-4-8	Level-4
Voltage dip / Short interruptions	IEC 61000-4-11	Level-3
Conducted emissions	CISPR-11	Class-A
Rated emissions	CISPR-22	Class-A
Safety	IEC 61010-1	

## Timing diagram



## Ordering information

Product code	Supply voltage	Certification
800XC	20 to 240V AC 12 to 240V DC	—