



DIN 17.5mm

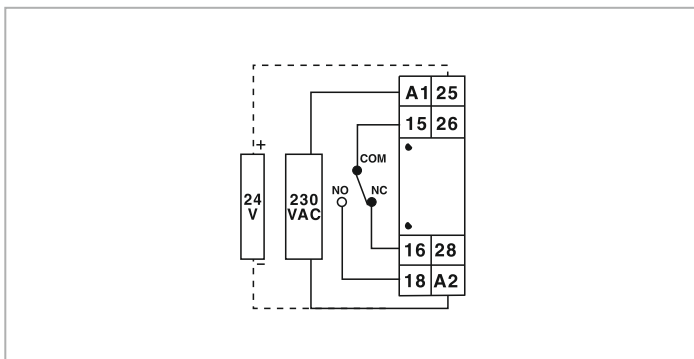
Features :

- ▶ ON delay / Interval
- ▶ 8 Time ranges
- ▶ Dual supply voltage
- ▶ LED indications : Power ON, Relay ON
- ▶ Finger safe terminals

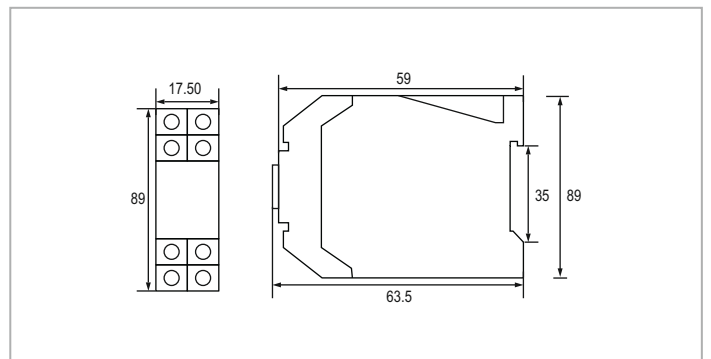
Technical specifications

Display specifications	
LED Indications	Power ON, Relay ON
Input specifications	
Accuracy	Setting: ±5% of F.S. , Repeat: ± 0.5% or 50msec (F.S. = Full scale), Pause time : ± 5% or ± 5msec
Output Specifications	
Relay contact	1 C/O SPDT
Contact rating	5A @250V AC, 24V DC
Functional specification	
Modes	ON delay / Interval
Time ranges	0 - 3sec / min, 0 - 10sec / min, 0 - 30sec / min, 0 - 60sec / min
Resolution	0.3sec
Reset	ON power interruption Reset time <100msec
Auxiliary supply specifications	
Supply voltage	230V AC (50/60 Hz), 24V AC/DC
Power consumption	6VA max
Environmental specification	
Temperature operating	0 °C to 50 °C (32 °F to 122 °F)
Storage	-20 °C to 75 °C (-4 °F to 167 °F)
Humidity (Non - condensing)	95% RH
Mechanical specifications	
Mounting	DIN Rail
Weight	115 gm

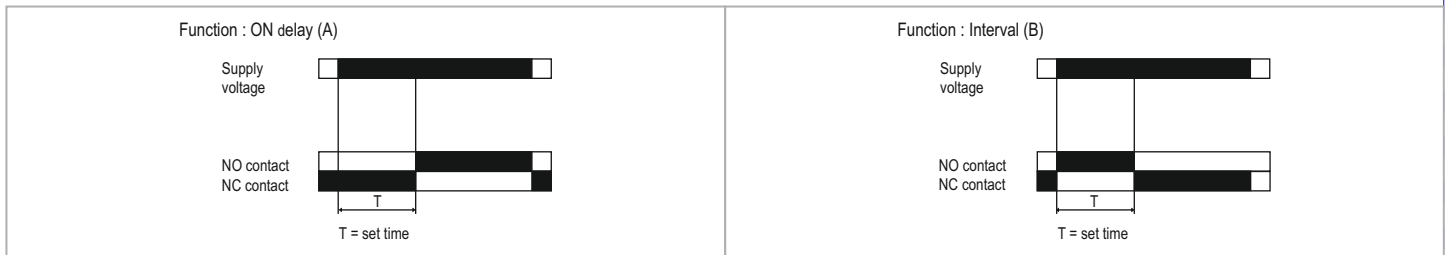
Terminal connections



Dimensions (All are in mm)



Timing diagram



DIP Switch setting



Ordering information

Product code	Supply voltage	Certification
642SQ-A	230V AC, 240V AC/DC	---