



### FEATURES

- Automatic start & stop as per water level detection (Float switch)
- Dry/Under Current, Over Current, Locked Current, Over Voltage, Under Voltage, Phase Failure and Overload Protection in 1Ø system
- Trip Time & Recovery Time Adjustable, Rapid Cycle Time
- Adjustable Hysteresis band
- Direct Current measurement upto 32A
- Capacitor cut off feature

### SPECIFICATIONS

#### DISPLAY

3 Digits, Seven Segment LED Display

#### ELECTRICAL CONNECTION

1Ø-2 wire

#### OPERATING RANGE

180V-300V (L-N)

#### FREQUENCY RANGE

50 - 60Hz

#### VA RATING

40VA max

#### RATED CURRENT

1 to 30A

#### CURRENT MEASURING RANGE

1 to 32A

#### VOLTAGE MEASURING RANGE

180 to 300 VAC (L-N)

#### TRIP PARAMETERS

**Overload** : NEMA Class : 5,10,15,20,30

**Over Current** : (IR+1)A to 32A

[IR = Rated current] & Step size : 1A

**Under Current** : 0.2A to (IR-1)A

Step size 0.2A to 1A : 0.1A

Step size 1A to 30A : 1A

**Locked Current** : (IR+1)A to 32A

Step size : 1A

**Over Voltage** : 180VAC to 300VAC (L-N)

**Under Voltage** : 180VAC to 300VAC (L-N)

**Phase Loss** : Yes (<160V)

#### RESOLUTION

Current : <10A = 0.01

>10A = 0.1

#### ACCURACY

Voltage : ±1% of 300V ± 1digit

Current : ±5% of IR ± 1digit

Time : ±5% ± 100msec

### TIME SETTINGS

Power ON Delay : 1sec (Fixed)

Trip Time Delay : 0 - 999sec

(Current & Voltage Parameters)

Phase Failure : Instantaneous

Reset Time : 1-999sec for Current &

Voltage parameters

Response Time : <120ms

Reset Attempts : 3 (Fixed)

Reset Attempt Time Frame : 1 - 999 mins

Auto diagnostic present

### HYSTERESIS

Voltage : 0-10V

(Not applicable for current parameters)

### OUTPUT SPECIFICATIONS

2 Relay : 1N/O (SPST)

### RELAY RATING

30A@277VAC

### LED INDICATION

LED1 (Red) : Relay (Continuously ON after trip)

LED2 (Green) : Pump (ON when Pump is ON)

### TST/RST FUNCTION :

TST : Relay Energized

RST : Relay De-energized

(At test function display show OK & Relay LED & Pump LED ON)

### ENVIRONMENTAL SPECIFICATIONS

- Indoor use

- Altitude of up to 2000 meters

- Pollution degree II

Temperature : Operating : 0 to 55°C

Storage : -20 to 70°C

Humidity : Up to 95% RH, non-condensing

### MECHANICAL SPECIFICATIONS

No. of Push Buttons : 3

Mounting : Din Rail Mount

Wire Size (max) : 4 sq.mm

Screw tightening torque : 0.5 N-M

**WEIGHT:** 224gms (approx.)

### SAFETY PRECAUTIONS

All safety related codifications, symbols and instructions that appear in this operating manual or on the equipment must be strictly followed to ensure the safety of the operating personnel as well as the instrument.

If the equipment is not used in a manner specified by the manufacturer it might impair the protection provided by the equipment.

If there is physical damage to the unit then do not use it.

Read complete instructions prior to installation and operation of the unit.

### WIRING GUIDELINES

#### WARNING

1. To prevent the risk of electric shock power supply to the equipment must be kept OFF while doing the wiring arrangement.
2. Wiring shall be done strictly according to the terminal layout with shortest connections. Confirm that all connections are correct.

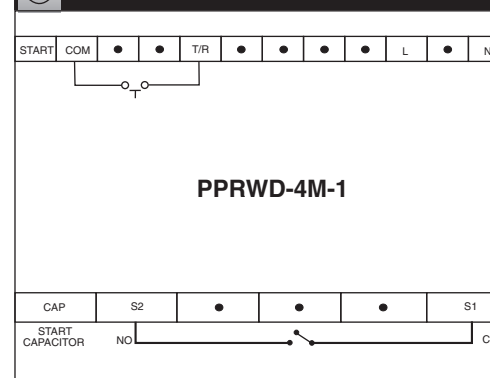
#### CAUTION

1. To ensure the safe operation of unit, check the wiring and connections.
2. It is recommended to test the unit periodically to Satisfy the regulations.

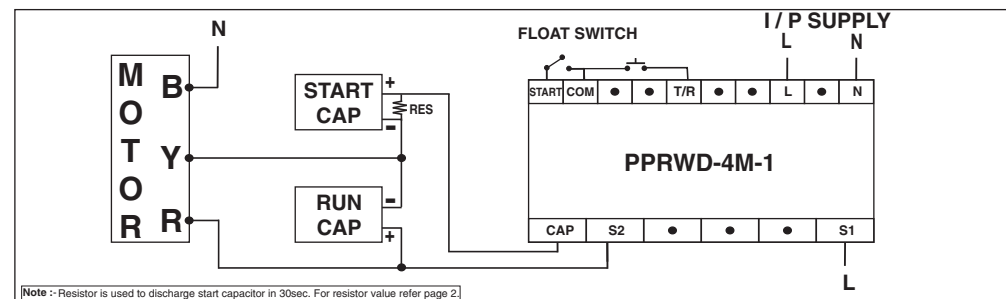
### LED INDICATION CHART

Various Conditions	'R' LED	'PUMP' LED
Healthy	OFF	OFF
Healthy & Motor ON	OFF	ON
Trip	ON	OFF

### TERMINAL CONNECTIONS

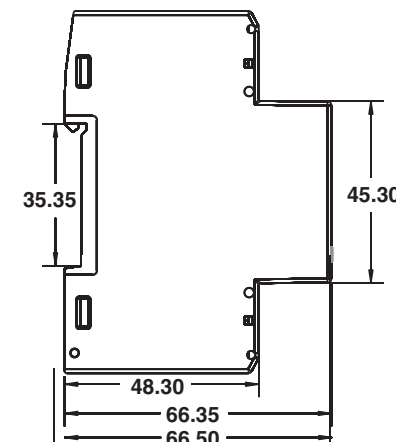
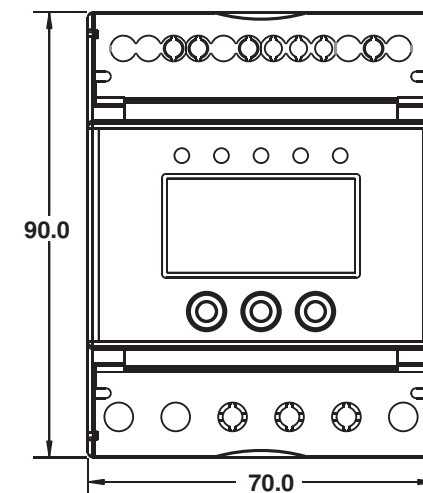


### CONNECTION DIAGRAM



Note :- Resistor is used to discharge start capacitor in 30sec. For resistor value refer page 2

### MECHANICAL INSTALLATION/DIMENSION (in mm)



## CONFIGURATION MENU

Press **↑ + ↓** for 3sec. to enter or exit configuration menu.

Press <b>←</b> to save & scroll through sub menu		Press <b>↑</b> or <b>↓</b> to enter and change parameter value		
DISPLAY	DESCRIPTION	DEFAULT VALUE	RANGE	CONDITION

If config setting is 'YES', then other pages / settings will be displayed.

--	--	--	--	--

This parameter is only applicable when motor is already started

This parameter is only applicable when motor is already started

This parameter is only applicable during motor start condition

Over Voltage cannot be less than Under Voltage

Under Voltage cannot be greater than Over Voltage

This parameter is applicable for voltage parameters

This parameter is applicable for Voltage and Current parameter

This parameter is applicable for Voltage and Current parameter

## Online KEYS

<b>CURRENT</b>	Current value is shown in online mode.
<b>TEST</b>	Press <b>↑</b> key for 3sec.or short COM & T/R to test manually.
<b>RESET</b>	Press <b>↓</b> key for 3sec.or short COM & T/R to reset manually.
<b>VOLTAGE</b>	Press <b>←</b> key to view voltage value in online mode and after releasing current value is displayed.
<b>TRIP VALUE</b>	Press <b>↑</b> key for 3sec. to display trip value.

## WARRANTY / LIMITATIONS OF LIABILITY

Selec warrants the products to be free from defects in the materials and workmanship for a period of one year (or other period specified, if any) from the date of sale by Selec.

The warranty does not apply to defects resulting from any action of the buyer, including but not limited to improper handling, operating the product outside the specification limits or unauthorized disassembling / altering of the product. The warranty shall be VOID if the product shows evidence of having been tampered or being damaged due to usage in corrosive environment ; or current heat, moisture or vibration ; improper specification ; wrong usage in an application; misuse or other operating conditions outside of Selec's control.

Selec shall not be responsible for special, indirect or consequential damages, loss of profits or commercial loss in any way connected with the products, whether such claim is based on contract, warranty, negligence or strict liability.

In no event shall the responsibility of Selec for any act exceed the individual price of the product on which liability is asserted.

In no event shall Selec be responsible for warranty or other claims regarding the products unless Selec's analysis confirms that the products were properly handled, stored, installed and maintained and not subject to contamination, abuse, misuse or inappropriate modification or repair.

## Selec Controls Pvt. Ltd., India

Factory Address :  
 EL-27/1, Electronic Zone, TTC Industrial Area, MIDC, Mahape,  
 Navi Mumbai - 400 710, INDIA.  
 Tel. No. : +91-22-41 418 419/430 | Fax No. : +91-22-28471733  
 Toll free : 1800 227 353 (BSNL/MTNL Subscribers only)  
 Website : www.selec.com | Email : sales@selec.com